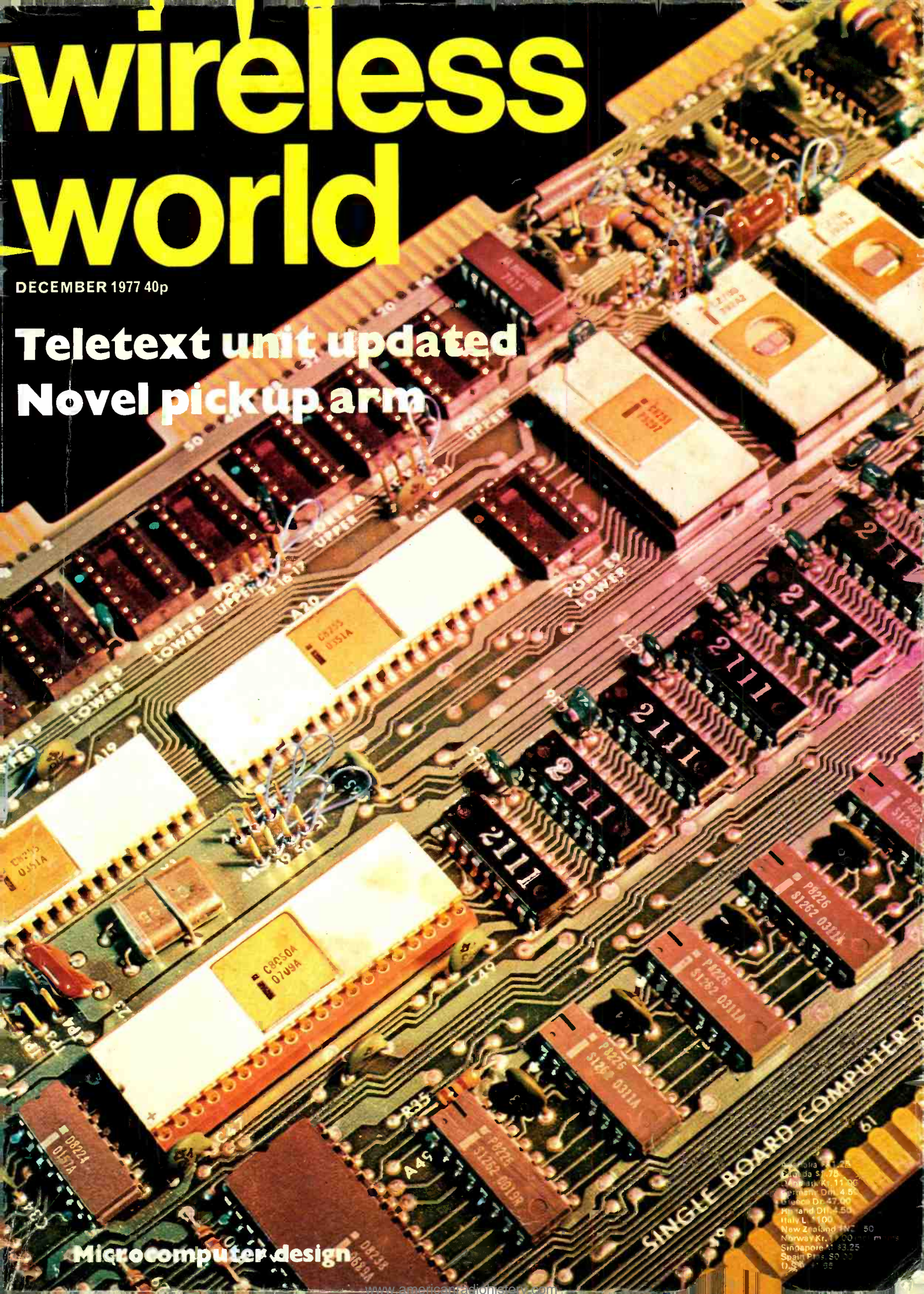


wireless world

DECEMBER 1977 40p

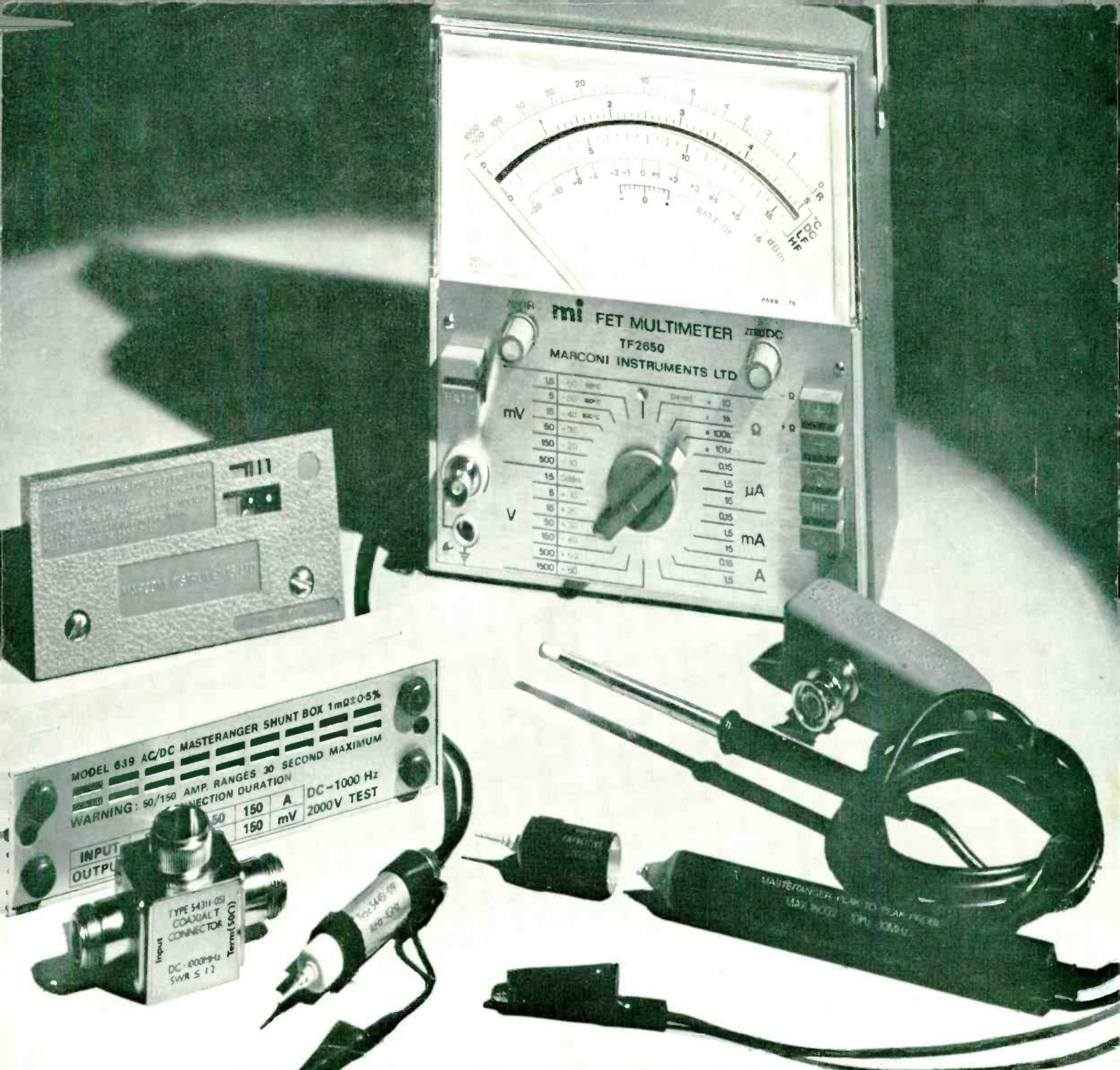
Teletext unit updated Novel pickup arm



Microcomputer design

SINGLE BOARD COMPUTER

Australia \$1.25
Canada \$1.75
France \$1.10
Germany DM 4.50
Japan ¥ 47.00
New Zealand \$1.50
Italy L. 100
New Zealand Inc. 50
Norway Kr. 100
Singapore \$3.25
Spain Ptas. 30.00
U.K. 75p



The Versatile Fet Multimeter

Eight optional accessories including an r.f. probe, a peak-to-peak probe, a temperature probe, and a coaxial T-connector, make the TF 2650 Solid State FET Multimeter one of the most comprehensive general purpose multimeters available. Such versatility makes the TF 2650 ideal for use in servicing, production, technical education, research, design and many other applications, while the battery/mains option makes it equally suitable for field, laboratory or workshop.

Accuracy is $\pm 1.5\%$ on most ranges and the f.e.t. input amplifier gives an output resistance of typically $100 \text{ M}\Omega$ with good overload protection. Scales cover from

1.5 mV and 0.15 mA f.s. to 1500 V and 1.5 A a.c. and d.c. The accessories extend the ranges up to 30 kV and 150 A, r.f. up to 1 GHz and temperatures up to 500°C . Resistances can be measured from 100Ω to $100 \text{ M}\Omega$ mid-scale with a facility to make in-circuit measurements on solid-state devices. A centre-zero facility is available on most ranges.

The basic instrument is supplied complete with co-axial leads, crocodile grips, test prods and a leather carrying case.

For further information write or phone:

mi MARCONI INSTRUMENTS

Marconi Instruments Limited · Longacres · St. Albans · Hertfordshire · England AL4 0JN · Tel: (0727) 59292 · Telex 23350
 Marconi Electronics Inc · 100 Stonehurst Court · Northvale · New Jersey 07647 USA · Tel: (201) 767-7250 · Twx: 710-991-9752
 Marconi Instruments · 32 avenue des Ecoles · 91600 Savigny-Sur-Orge · France · Tel: 996.03.86. · Telex: 600541.F
 Marconi Messtechnik GmbH · 8000 Munchen 21 Jorgstrasse 74 · West Germany · Tel: (089) 58 20 41 · Telex: 5 212642

wireless world

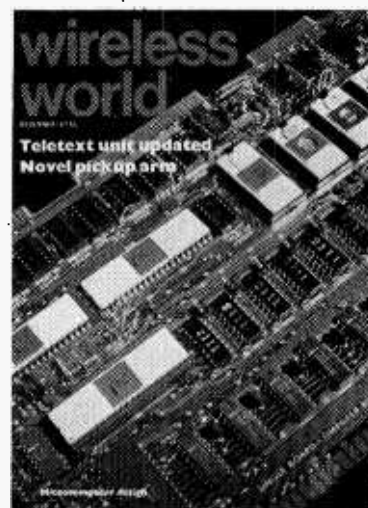
Electronics, Television, Radio, Audio

DECEMBER 1977 Vol 83 No 1504

Contents

- 35 Frequencies, technology and society
- 36 Teletext decoder modifications *by Richard T. Russell*
- 42 News of the month
The electronic arm of the law
Ferroglyph swap
Improvements in tape and disc reproduction
- 46 The Bizarrm *by Ernest Lowinger*
- 50 World of amateur radio
- 51 Letters to the Editor
Matrix H decoding
Using a microprocessor
Minimization in logic design
- 55 Microcomputer design — 2 *by Phil Pittman*
- 60 Logic design — *by B. Holdsworth and D. Zissos*
- 65 High speed analogue-to-digital conversion *by O. J. Downing and P. T. Johnson*
- 70 H. F. Predictions
- 73 Analogue function generator *by G. J. Phelps*
- 78 Circuit ideas
Inductance bridge
"No loss" capacitor
Variable slope low-pass filter
- 83 Synthesized f.m. transceiver — *by T. D. Forrester*
- 86 New products
- 90 Sidebands *by "Mixer"*
- 134 Appointments vacant
- 152 Index of advertisers

Current issue price 40p, back issues (if available) 50p, at Retail and Trade Counter, Paris Garden, London SE1. By post, current issue 55p, back issues (if available) 50p, order and payments to Room 11, Dorset House, London SE1 9LU.
Editorial & Advertising offices: Dorset House, Stamford Street, London SE1 9LU.
Telephones: Editorial 01-261 8620. Advertising 01-261 8339.
Telegrams/Telex: Wiworld Bispres 25137 BISPRS G. Cables: Ethaworld, London SE1.
Subscription rates: 1 year: £7.00 UK and overseas (\$18.20 USA and Canada). Student rate: 1 year, £3.50 UK and overseas (\$9.10 USA and Canada).
Distribution: 40 Bowling Green Lane, London EC1R 0NE. Telephone 01-837 3636.
Subscriptions: Oakfield House, Perry Mount Rd, Haywards Heath, Sussex RH16 3DH. Telephone 0444 59188. Subscribers are requested to notify a change of address.
USA mailing agents: Expeditors of the Printed Word Ltd., 527 Madison Avenue, Suite 1217, New York, NY 10022. 2nd-class postage paid at New York. © I.P.C. Business Press Ltd, 1977



Front cover, showing a microcomputer using Intel devices on a single p.c. board, introduces our second article on microcomputer design in this issue.

Photographer Paul Brierley

IN OUR NEXT ISSUE

Traffic information broadcast. Latest developments in the BBC's proposed system using a multiplicity of low power m.f. transmitters on a single frequency.

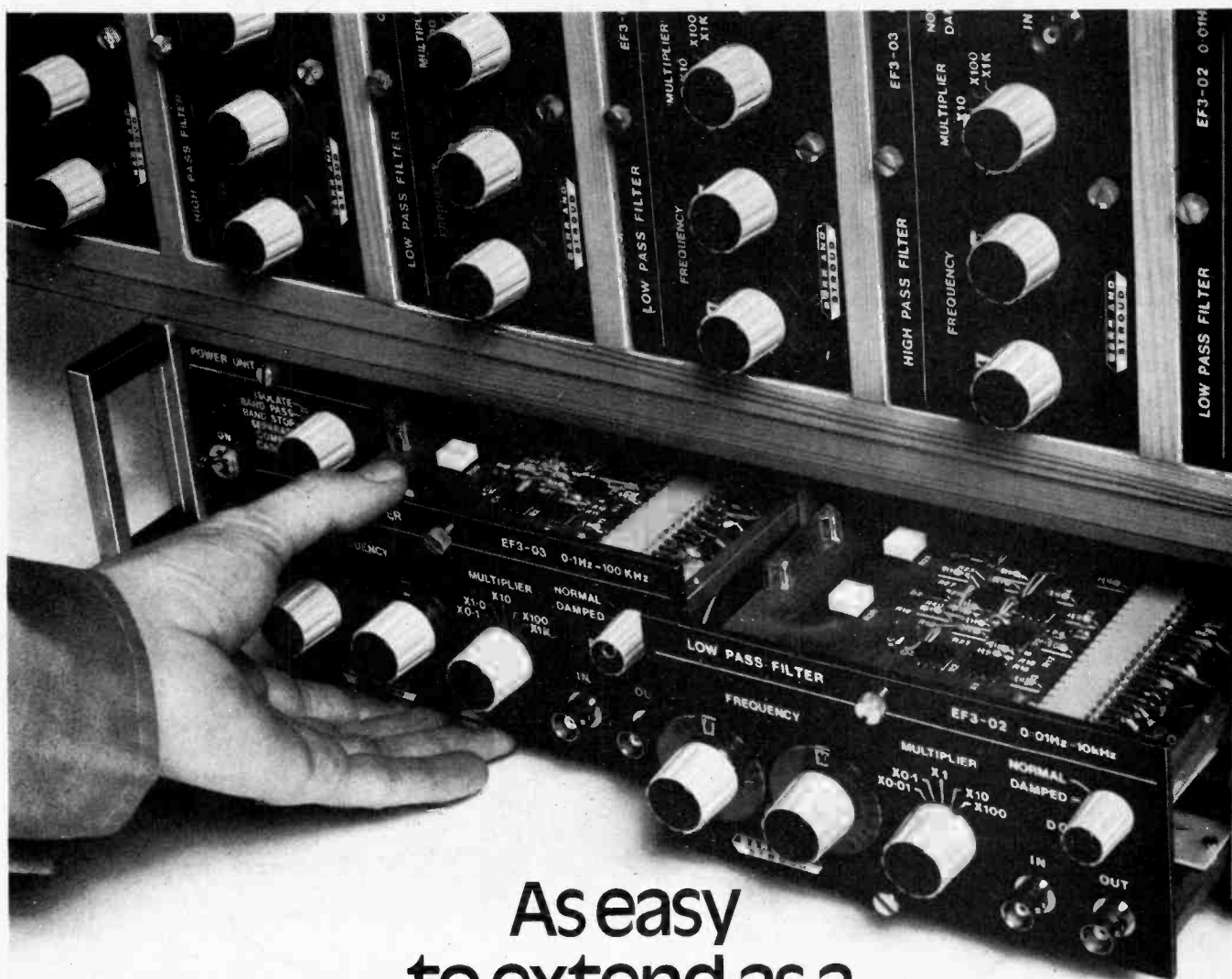
Fuses — their physical functioning, design and characteristics. A detailed look at a somewhat neglected component.

Power into loads: why we don't apply the maximum power transfer theorem to active devices in linear circuits.

ISSN 0043 6062

ibpa
International Business
Press Associates

ABC
MEMBER OF THE ASSOCIATION
OF PUBLISHERS



As easy to extend as a cassette library... EF3 Modular Filtering System from Barr & Stroud

When dealing with a variety of projects, electronic filtering requirements change rapidly and need to be met with minimum fuss and maximum flexibility. The Barr & Stroud EF3 Modular Filtering System is designed around the most compact of basic main frames containing the power unit and function switching with capacity for two slide-in filter units. The modular concept allows you to begin with the minimum of a mainframe and one filter unit. Thereafter you can extend your 'library' of filter capability as requirements dictate and budgets make possible.

The EF3 is a system that grows with every plug-in module and constantly expands as new modules are developed and introduced. Current modules give a pass band capability from d.c. to 10MHz and within this spectrum filter units can be operated individually or in a combination to give low-pass, high-pass, band-stop, band-separate or band-combine modes.

The EF3 system is a part of the comprehensive Barr & Stroud range of electronic filters that could well meet all your filtering requirements. If not,

Barr & Stroud welcome the opportunity to study your problem and come up with a custom-built solution. The full spectrum of Barr & Stroud capability in electronic filtering is covered in a range of literature available on request.

**BARR AND
STROUD**
Glasgow and London

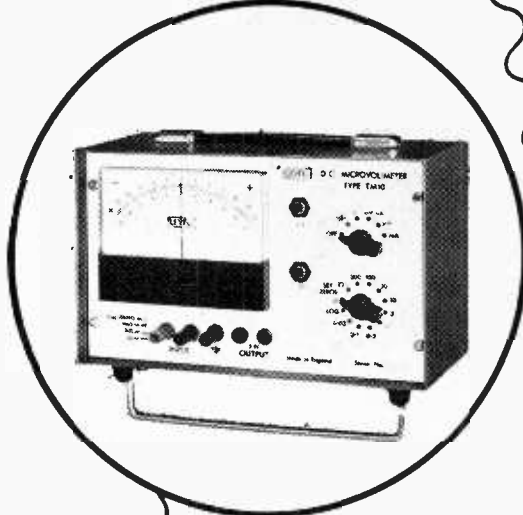
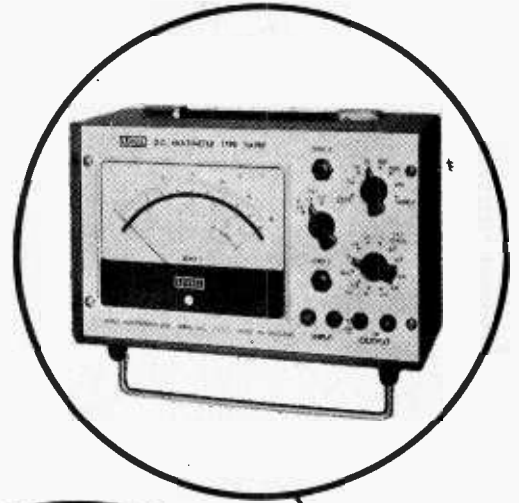
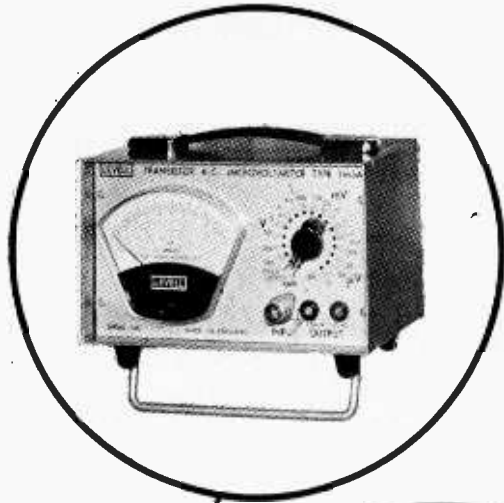
BARR & STROUD LIMITED
London Office:
1 Pall Mall East, London SW1 5AU
Telephone: 01-930 1541
Telex: 261877

WW-045 FOR FURTHER DETAILS

LOW COST VOLTMETERS

from the
range
of

LEVELL
PORTABLE INSTRUMENTS



A.C. MICROVOLTMETERS
VOLTAGE & dB RANGES: 15 μ V, 50 μ V, 150 μ V... 500V
 Acc. $\pm 1\% \pm 1\%$ f.s.d. $\pm 1\mu$ V at 1kHz — 100, — 90... +50dB
 Scale — 20dB/ + 6dB rel. to 1mW/600 Ω .
RESPONSE: ± 3 dB from 1 Hz to 3MHz, ± 0.3 dB from 4Hz to 1MHz above 500 μ V. Type TM3B can be set to a restricted B.W. of 10Hz to 10kHz or 100 kHz.
INPUT IMPEDANCE: Above 50mV > 4 3M Ω < 20pF
 On 50 μ V to 50mV : > 5M Ω < 50pF.
AMPLIFIER OUTPUT: 150mV at f.s.d.
 type **£89** type **£99**
 TM3A TM3B

D.C. MULTIMETERS
VOLTAGE RANGES: 3 μ V, 10 μ V, 30 μ V... 1kV
 Acc. $\pm 1\% \pm 1\%$ f.s.d. $\pm 0.1\mu$ V. LZ & CZ scales.
CURRENT RANGES: 3pA, 10pA, 30pA... 1mA (1A for TM9BP).
 Acc. $\pm 2\% \pm 1\%$ f.s.d. ± 0.3 pA. LZ & CZ scales.
RESISTANCE RANGES: 3 Ω , 10 Ω , 30 Ω ... 1 G Ω linear Acc. $\pm 1\% \pm 1\%$ f.s.d. up to 100M Ω .
RECORDER OUTPUT: 1V at f.s.d. into > 1k Ω on LZ ranges.
 type **£130** type **£140**
 TM9A TM9BP

BROADBAND VOLTMETERS
H.F. VOLTAGE & dB RANGES: 1mV, 3mV, 10mV... 3V.
 Acc. $\pm 4\% \pm 1\%$ f.s.d. at 30MHz, — 50dB, — 40dB, — 30dB to + 20dB. Scale — 10dB/ + 3dB rel. to 1mW/50 Ω ± 0.7 dB from 1MHz to 50MHz, ± 3 dB from 300kHz to 400MHz.
L.F. RANGES: As TM3 except for the omission of 15 μ V and 150 μ V.
AMPLIFIER OUTPUT: Square wave at 20Hz on H.F. with amplitude proportional to square of input. As TM3 on L.F.
 type **£140** type **£150**
 TM6A TM6B

D.C. MICROVOLTMETERS
VOLTAGE RANGES: 30 μ V, 100 μ V, 300 μ V... 300V.
 Acc. $\pm 1\%$, $\pm 2\%$ f.s.d., $\pm 1\mu$ V. CZ scale.
CURRENT RANGES: 30pA, 100pA, 300pA... 300mA.
 Acc. $\pm 2\%$, $\pm 2\%$ f.s.d., ± 2 pA. CZ scale.
LOGARITHMIC RANGE: $\pm 5\mu$ V at $\pm 10\%$ f.s.d., ± 5 mV at $\pm 50\%$ f.s.d., ± 500 mV at f.s.d.
RECORDER OUTPUT: ± 1 V at f.s.d. into > 1k Ω .
 type **£77**
 TM10

These highly accurate instruments incorporate many useful features, including long battery life. All A type models have 83mm scale meters, and case sizes 185x110x130mm. B types have 127mm mirror scale meters and case sizes 260x125x180mm.

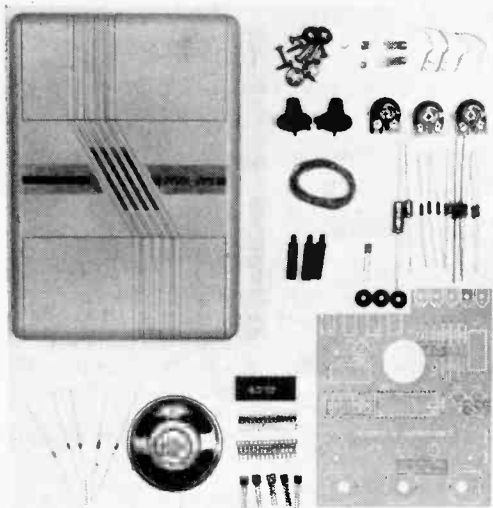
LEVELL ELECTRONICS LTD.
 Moxon Street, High Barnet, Herts. EN5 5SD
 Tel: 01-449 5028/440 8686

Prices are ex works with batteries. Carriage and packing extra. VAT extra in U.K. Optional extras are leather cases and mains power units. Send for data covering our range of portable instruments.

WW-005 FOR FURTHER DETAILS

Build a microprocessor electronic musical door chime which can play 24 different tunes!

A complete Chroma-Chime Kit for only £18 inc. p.&p. & VAT.



- Plays
- Greensleeves
 - God Save the Queen
 - Rule Britannia*
 - Land of Hope and Glory
 - Oh Come All Ye Faithful
 - Oranges and Lemons
 - Westminster Chimes*
 - Sailor's Hornpipe
 - Beethoven's "Fate Knocking"
 - The Marseillaise
 - Mozart
 - Wedding March
 - Cook House Door
 - The Stars & Stripes*
 - Beethoven's Ode to Joy
 - William Tell Overture
 - Soldier's Chorus
 - Twinkle, Twinkle Little Star
 - Great Gate of Kiev
 - Maryland
 - Deutschland über Alles
 - Bach
 - Colonel Bogie
 - The Loralie

*These tunes play longer if the push button is kept pressed.

- * *A great introduction to the fascinating world of microcomputers.*
- * *Save pounds on normal retail price by building yourself.*

- * Handsome purpose built ABS cabinet
- * Easy to build and install
- * Uses Texas Instruments TMS1000 microcomputer
- * Absolutely all parts supplied, including I.C. socket
- * Ready drilled and legended PCB included
- * Comprehensive kit manual with full circuit details
- * No previous microcomputer experience necessary
- * All programming permanently retained is on chip ROM
- * Can be built in about 3 hours!
- * Runs off 2 PP3 type batteries.
- * Fully Guaranteed

The Chroma-Chime is the world's first electronic musical door chime which uses a pre-programmed microcomputer chip to generate tunes. Instead of boring old buzzes, dings or dongs, the Chroma-Chime will play one of its 24 well known tunes from its memory using its tiny 'brain' to all the music synthesizing! Since everything is done by precise mathematics, it cannot play the notes out of tune.

The unit has comprehensive built-in controls so that you can not only select the 'tune of the day' but the volume, tempo and envelope decay rate to change the sound according to taste.

Not only visitors to the front door will be amazed, if you like you can connect an additional push button for a back door which plays a different tune!

This kit has been carefully prepared so that practically anyone capable of neat soldering will have complete success in building it. The kit manual contains step by step constructional details together with a fault finding guide, circuit description, installation details and operational instructions all well illustrated with numerous figures and diagrams.

The CHROMA-CHIME is exclusively designed by
CHROMATRONICS
River Way, Harlow, Essex.

To CHROMATRONICS, River Way, Harlow, Essex, U.K.

Please send Chroma-Chime Kits at £18.00 each including VAT and post and packing

PLEASE USE BLOCK CAPITALS

Name _____

Address _____

I enclose cheque/PO value £ _____
or debit my ACCESS/BARCLAYCARD account No.

Signature _____

N.B. The CHROMA-CHIME is also available, fully assembled, price £24.95 inc VAT and post and packing.

Please allow 7-21 days for delivery.



Our ideal is
a pipeline to you
**SO WE
BUILT ONE**

General Instrument Microelectronics Limited are the leaders in microcircuits for consumer/telecommunications and other applications.

Our distributors form a direct pipeline from us to you. For easy access to the widest range of advanced microelectronics call them and ask for a free copy of our latest shortform catalogue.

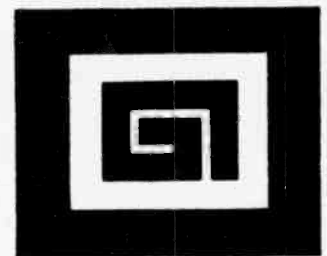
UK DISTRIBUTORS:

- Semiconductor Specialists Ltd.**, Premier House, Fairfield Road, Yiewsley, West Drayton, Middlesex. Tel: West Drayton (08954) 46415 Telex: 21958
- Semicomps Ltd.**, Wellington Road, London Colney, St. Albans, Herts. Tel: Bowmans Green 24522 Telex: 21108
- Semicomps Northern Ltd.**, Ingrow Lane, Keighley, W. Yorks. Tel: Keighley 65191 Telex: 517343
- Semicomps Northern Ltd.**, East Bowmont Street, Kelso, Roxburghshire. Tel: Kelso 2366 Telex: 72692
- Semicomps Ltd.**, 3 Warwick House, Station Road, Kenilworth, Warwickshire. Tel: 0926 59411 Telex: 312212
- G.D.S. (Sales) Ltd.**, 380 Bath Road, Slough SL1 6JE. Tel: Burnham (06286) 63611 Telex: 847571
- G.D.S. (Sales) Ltd.**, 24 Broughton Street, Cheetham Hill, Manchester. Tel: 061-831 7471 Telex: 668304
- G.D.S. (Sales) Ltd.**, 192 Moulsham Street, Chelmsford, Essex CM2 0LG. Tel: 0245 69545 Telex: 99443
- S.D.S. Components Ltd.**, Jubilee Unit, The Airport, Eastern Road, Portsmouth, Hants. Tel: 0705 65311 Telex: 86119
- S.D.S. Components Ltd.**, 111 Alexandra House, East Kilbride, Glasgow G74 1LX. Tel: 0552 48617 Telex: 778044

We help you compete

GENERAL INSTRUMENT MICROELECTRONICS LTD

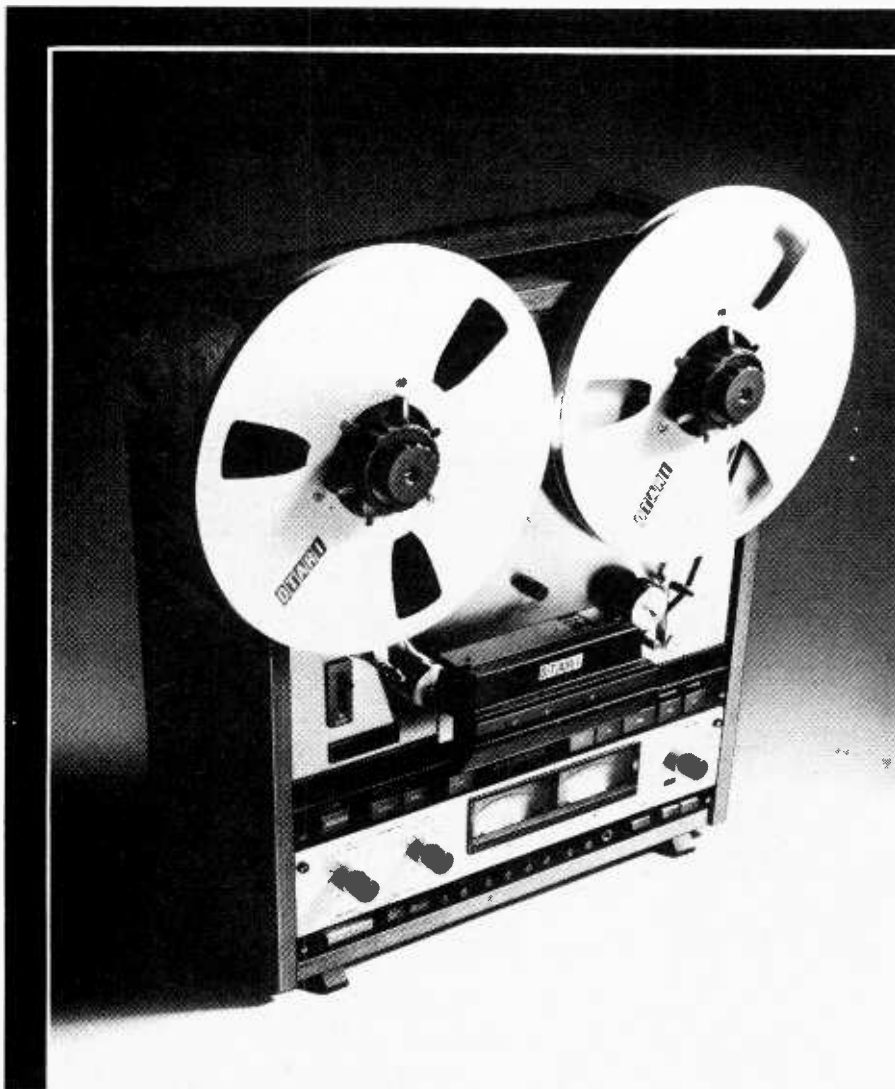
57-61 Mortimer Street, London W1N 7TD England
Telephone: 01-636 2022 Telex: 23272



WW-018 FOR FURTHER DETAILS

OTARI

**From Otari for uncompromising recordists.
MX5050-2SHD designed for
peerless two-track quarter-inch masters.**



Japan: Otari Electric Co., Ltd., 4-29-18 Minami Ogikubo, Suginami-ku, Tokyo 167, Japan
U.K.: C.E. Hammond & Co., Ltd., 111 Chertsey Road, Byfleet, Surrey KT14 7LA
France: Reditec, 62-66, Rue Louis Ampère, Zone Industrielle des Chanoux, 93330 Neuilly-s/Seine
West Germany: Peter Strüven GmbH, 2 Hamburg 53, Bornheide 19

Belgium: Trans European Music S.A., Koeivijverstraat 105, 1710 Dilbeek, Brussels
Italy: Exhibo Italiana S.R.L., 20052 Monza, Via F. Frisi, 22
Switzerland: Audio Bauer AG, CH-8048 Zürich, Bernerstrasse-Nord 182, Haus Atlant
Australia: Klarion Enterprises Proprietary Ltd., Regent House, 63, Kingsway, South Melbourne, 3205

It's an exception of compact recorders. Specially designed for critical professional applications from the ground up. It leaves nothing to be desired. 68dB signal-to-noise and greater-than-60dB crosstalk. Variable speed DC-servo capstan motor for less than 0.05% wow/flutter and $\pm 7\%$ pitch control. +19dBm headroom before clipping. Motion sensing control logic. Front panel edit and cue; stepless bias adjustability; built-in test and cue oscillator; all front accessible. 600 ohm, +4dBm or -10dBm fixed-level output and XLR connectors. Remote controllability for all transport functions. In short, it's a sheer professional masterpiece to produce desired 15 or 7-1/2 ips masters.

The performance and reliability have been fully proven since its original version was introduced in 1973, in more than one thousand practical applications by broadcasters, studio recordists, audio-visual professionals and musicians all over the world. For the full story of this unique and compact professional machine, ask anyone who uses it or get in contact with your nearest Otari distributor.

**Please send me details on
MX5050-2SHD**

Name

Company

Address

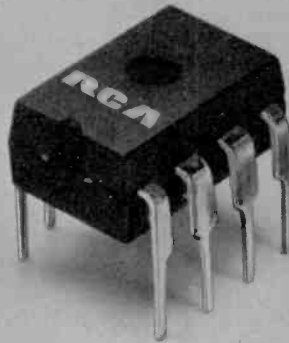
WW

WW-023 FOR FURTHER DETAILS

“What else does an op amp range need than to be rugged reliable and economical?”



“They need me”



“Who’s your plastic friend?”



RCA has combined the best of Bipolar and MOS to give BiMOS. Two technologies on one chip that means a greatly improved product performance – at no extra cost.

The table gives an indication of just what you can expect from a simplified range that covers virtually every application.

The BiMOS philosophy is in step with the trend towards standardising on fewer components that can do more jobs. It can help reduce costs all along the line – from design, manufacture and purchasing, to inventory control and incoming inspection.

And now the BiMOS range is available in plastic packaging. At a lower price of course. Good news for those concerned about profitability today.

Whether you’re a systems designer, an engineer or in management, BiMOS gives you something to think about. And act upon.

Op amp category	What BiMOS contributes	RCA device
General purpose	Wide applicability. Low cost	CA3160 CA3140 CA3130
FET Input	Lower device cost Reduced circuit cost	CA3160 CA3140 CA3130
Wideband 4.5 to 70 MHz	High slew rate with low ringing	CA3160 CA3140 CA3130 CA3100
Micropower down to 1.5 mW	Strobability.	CA3160 CA3130
High output current up to 22 mA	Eliminates driver stage. Low device cost. Rail-to-rail output swing.	CA3160 CA3130

BiMOS.
First we gave you
mixed technologies.
Now, mixed packages.



Crellon Electronics Ltd.,
 (incorporating ECS and GDS Sales)

Crellon Electronics Ltd.,
 380 Bath Road, Slough, Berks SL1 6JE.
 Tel: Burnham (06286) 4434 Telex: 847571



A. D. BAYLISS & SON LTD.

Behind this name there's a lot of real POWER!

Illustrated right is a TITAN DRILL

Mounted in a multi-purpose stand. This drill is a powerful tool running on 12v DC at approx. 9000 rpm with a torque of 350 gm. cm. Chuck capacity 3.00 m/m. The multi-purpose stand is robustly constructed of steel and aluminium. The base and bracket are finished in hammer blue.

Also available for use in the stand is the RELIANT DRILL which is a smaller version of the Titan. Approx. speed 9000 rpm. 12v DC. torque 35 gm. cm. Capacity 2.4 m/m.

TITAN DRILL & STAND

£19.50

+ 8% VAT = £21.06 + £1 P&P

TITAN DRILL ONLY

£8.90 + 8% VAT = £9.61 + 35p P&P

RELIANT DRILL & STAND

£16.27

+ 8% VAT = £17.52 + £1 P&P

RELIANT DRILL ONLY

£5.22 + 8% VAT = £5.64 + 35p P&P

TITAN MINI KIT DRILL

£14.75

+ 8% VAT = £15.93 + 50p P&P

Plus 20 Tools

RELIANT MINI KIT DRILL

£12.00

+ 8% VAT = £13.08 + 50p P&P

Plus 20 Tools

TRANSFORMER UNIT

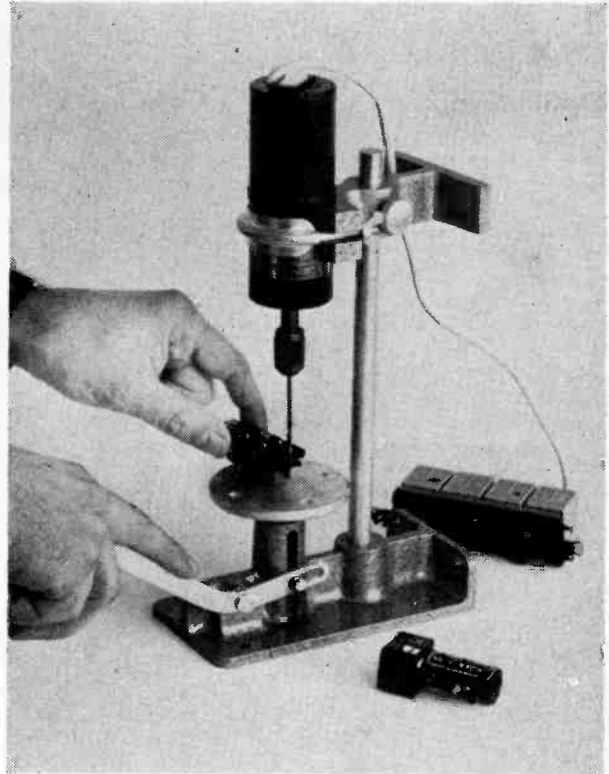
£8.55

+ 8% VAT = £9.23 + 75p P&P

These are examples of the extensive range of power tools designed to meet the needs of development engineers, laboratory workers, model makers and others requiring small precision production aids.

To back up the power tools, Expo offer a comprehensive selection of Drills, Grinding Points and other tools.

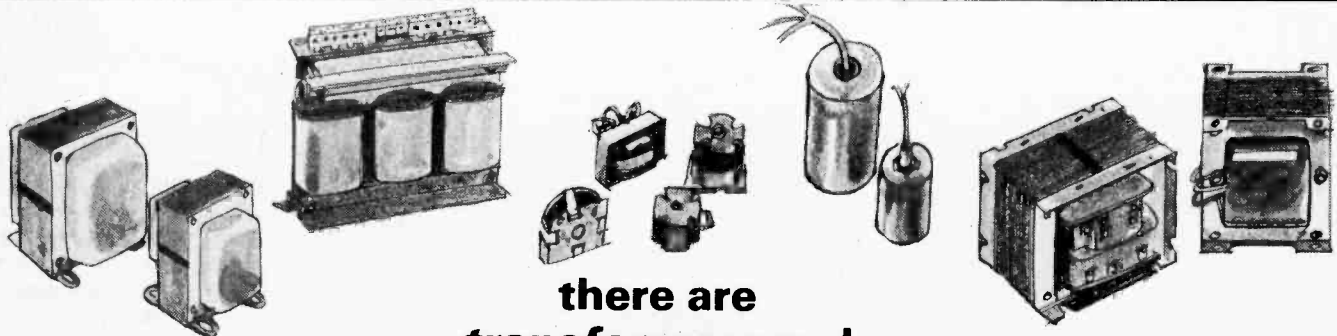
SEND STAMP for full details to main distributors.



A. D. BAYLISS & SON LTD., Pfera Works, Redmarley, Glos. GL19 3JU

Stockists: Richards Electric, Worcester and Gloucester; Hoopers of Ledbury; Hobbs of Ledbury; D&D Models, Hereford; Bertella, Gloucester.

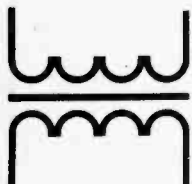
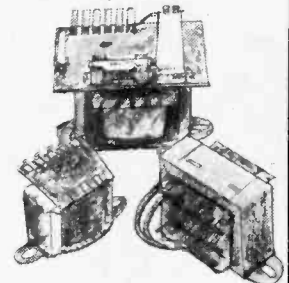
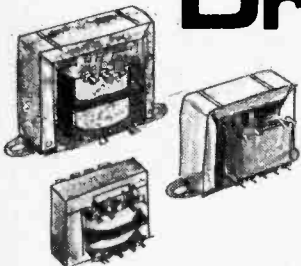
WW-030 FOR FURTHER DETAILS



there are
transformers and

Drake Transformers

A wide range of transformers
manufactured in production
quantities to customers' own
requirements; prompt design
and prototype service.



Drake Transformers Limited

South Green Works, Kennel Lane, Billericay, Essex CM11 2SP
Telephone: Billericay 51155. Telex: 99426

WW-027 FOR FURTHER DETAILS

MAPLIN

in a modern world of electronics

AUDIO MIXER

A superb stereo audio mixer. It can be equipped with up to 16 input modules of your choice and its performance matches that of the very best tape-recorders and hi-fi equipment. It meets the requirements of professional recording studios, FM radio stations, concert halls and theatres. Full construction details in our catalogue. A component schedule is available on request.



10-CHANNEL STEREO GRAPHIC EQUALISER

A new design with no difficult coils to wind, but a specification that puts it in the top-flight hi-fi class. All this for less than £70 including fully punched and printed metalwork and woodwork. Send for our component schedule now. Full construction details price 40p.



SWITCHES

We stock a wide range of switches including a really low-priced high quality interlocking push-button switch system which is extremely versatile. We've got toggle switches, slide switches, push switches, rotary switches — there are dozens to choose from, but it's only a tiny part of our fantastic range.



SYNTHESISER

The international 4600 Synthesiser. A very comprehensive unit. Over 400 sold. We stock all the parts costing less than £500 including fully punched and printed metalwork and a smart teak cabinet. Far less than half what you'd pay for a ready made synthesiser of equal quality. Specification on request, full construction details in our construction book £1.50.



PEDAL UNIT

A completely self-contained pedal unit. 13-note, 2-octave range. 4 organ stops. It can be added to any organ. A really unusual extra is the bass guitar stop which uses four envelope shapers to give a real bass guitar sound. A must for the solo guitarist. Full construction details in our catalogue — post the coupon below now!



WHO SAYS THE MAPLIN CATALOGUE'S WORTH HAVING??

"in our 'musts' for readers-to-collect list!" — P.E.
 "contains... just about everything the DIY electronics enthusiast requires." — P.W.
 "probably the most comprehensive catalogue we have ever come across." — E.E.
 "has been carefully prepared and is very well presented." — R.E.C.
 "make the job of ordering components an easy, accurate and enjoyable pastime." — P.W.
 "only one word describes the publication — superb!" — E.T.I.

OVER 60,000 COPIES SOLD
 DON'T MISS OUT! SEND 60p NOW
MAPLIN ELECTRONIC SUPPLIES
 P.O. Box 3, Rayleigh, Essex SS6 8LR
 Telephone: Southend (0702) 715155

Shop: 284 London Road
 Westcliff-on-Sea, Essex
 (Closed on Monday)
 Telephone: Southend
 (0702) 715157

Our bi-monthly newsletter keeps you up to date with latest guaranteed prices — our latest special offers — details of new projects and new lines. Send 30p for the next six issues (5p discount voucher with each copy).

POST THIS COUPON
 NOW FOR YOUR COPY OF OUR CATALOGUE
 PRICE 60p

Please rush me a copy of your 216 page catalogue. I enclose 60p, but understand that if I am not completely satisfied I may return the catalogue to you within 14 days and have my 60p refunded immediately.

NAME

ADDRESS



WW-017 FOR FURTHER DETAILS

WW12

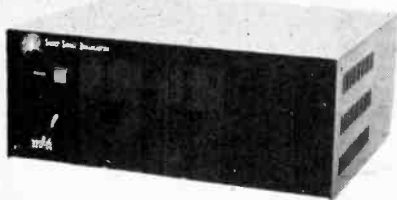
SEED



SWTPC 6800

£360.00
ASSEMBLED

Comprising:
POWER SUPPLY
C.P.U.
4K STATIC RAM
CASSETTE INTERFACE
CONTROL INTERFACE



MINI FLOPPY

BFD-1 single
BFD-2 dual (as illustrated)
BFD-3 triple

£522.00 ASS.
£785.00 ASS.
£1045.00 ASS.



SOROC TERMINAL

75 TO 19200 BAUD
WRITE PROTECT
HIGHLIGHT
SCROLL
BLOCK MODE ETC.

£699.00
ASSEMBLED

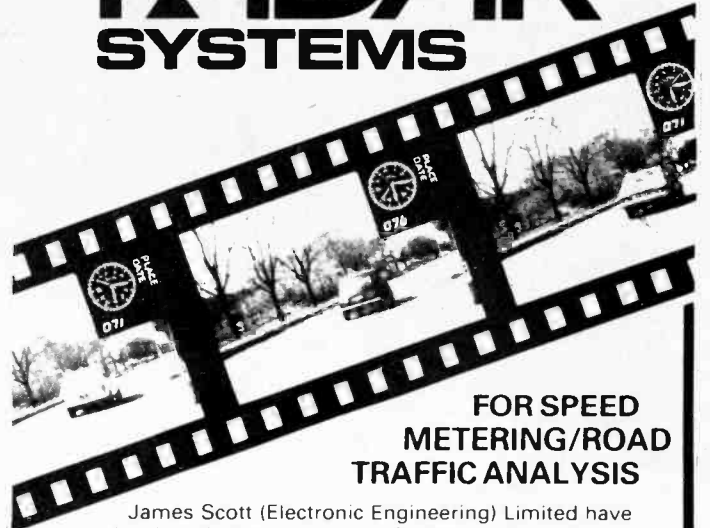
Send S.A.E. for full brochure

STRUMECH ENGINEERING

ELECTRONICS DIVISION
PORTLAND HOUSE
COPPICE SIDE
BROWNHILLS
WALSALL
BROWNHILLS 4321

WW-066 FOR FURTHER DETAILS

JAMES SCOTT TRAFFIC RADAR SYSTEMS



FOR SPEED METERING/ROAD TRAFFIC ANALYSIS

James Scott (Electronic Engineering) Limited have developed, over a number of years, a range of miniature traffic radar systems of advanced design for law enforcement and traffic analysis applications.

- Digital speed presentation
- Suitable for LH/RH traffic systems
- Alarm speed selectable in the range 21 to 99 mph or kph in unit steps
- Can be used tripod mounted or from inside a parked vehicle
- Compact, lightweight design with solid state circuitry except for digital display tubes
- Facility to operate camera/flash unit (available as optional extra)
- Test oscillator incorporated
- BCD output available for data-logging.

These are some of the reasons why the James Scott Gatso Mini Radars are rapidly gaining acceptance with Police Forces and Traffic Engineers throughout the world (U.K., West Germany, Holland, Belgium, Greece, Singapore, Malaysia, Australia.) If you want more please write or telephone.



AS SUPPLIED TO THE HOME OFFICE, LONDON.



JAMES SCOTT (Electronic Engineering) Ltd

CARNTYNE INDUSTRIAL ESTATE
GLASGOW G32 6AB Tel: 041-778 4206 Telex 778286

WW-026 FOR FURTHER DETAILS



GEORG SIMON OHM

...The leaders through creativity

GR 1657 DigiBridge

Automatically measures R, L, C, D and Q. Ranging from 0.001Ω to 99.999 MΩ, 0.0001 mH to 9999.9H, 0.0001 nF to 99999μ F. D from 0001 to 9.999 and Q from 00.01 to 999.9. Basic accuracy 0.2%. Five digit display for R, L and C, four digit display for D and Q.

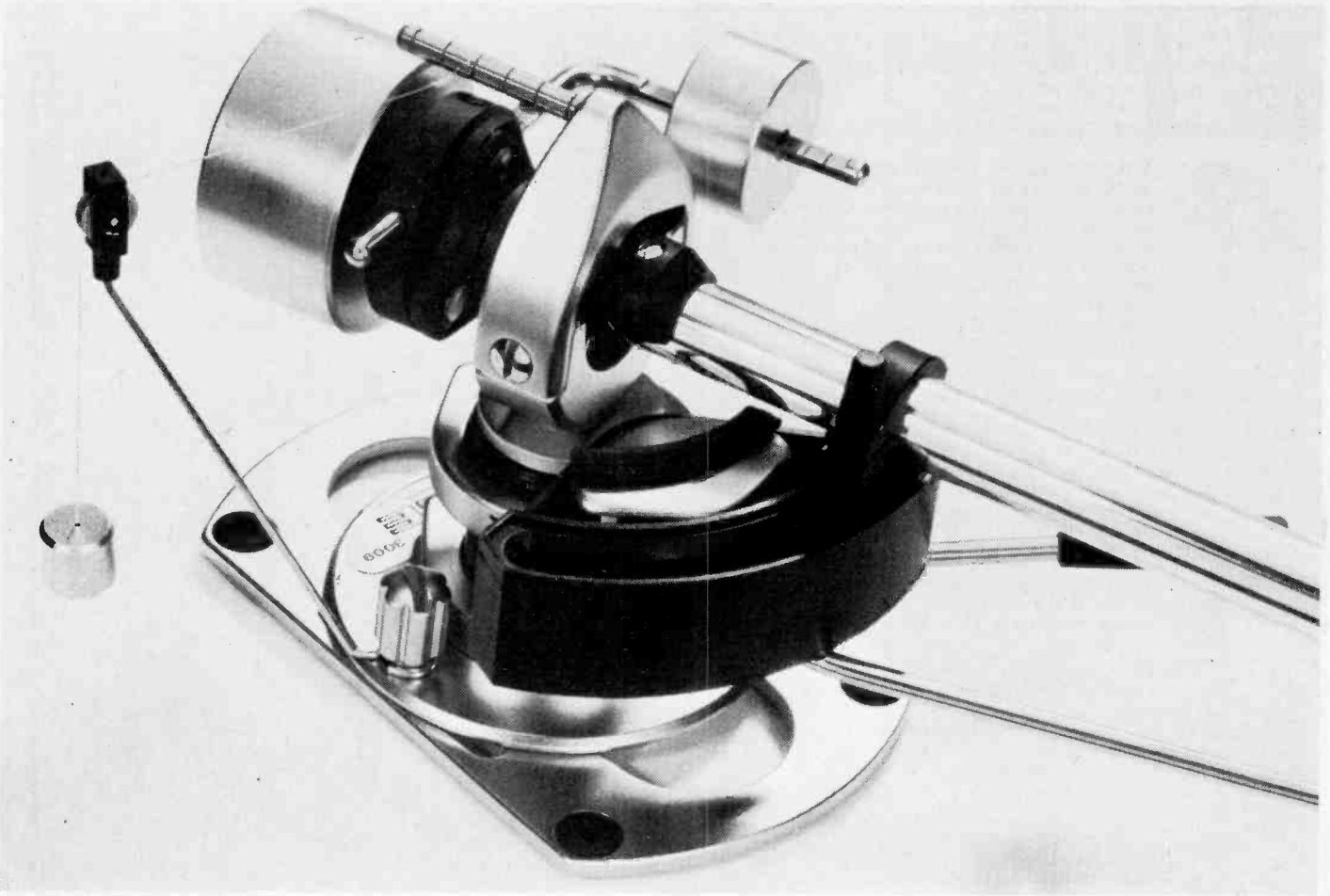
Microprocessor — directed ranging. Selectable test frequencies of 1 KHz and 100 Hz (120Hz).

Series or parallel measurement selection. Built-in Kelvin test fixture tests radial and axial lead components. Other bridges from our range include:

GR1650	GR1656	GR1608	GR1683	GR1685
RLC Bridge	RLC Bridge	RLC Bridge	Digital RLC Bridge	Digital RLC Meter
Precision 1%	0.1%	0.05%	Automatic, 0.1%	Automatic, 0.1%

It is easy to test components with GenRad. Write or call for descriptive literature to GenRad Ltd. Bourne End, Bucks SL8 5AT. (06285) 26611





3009 + FD200

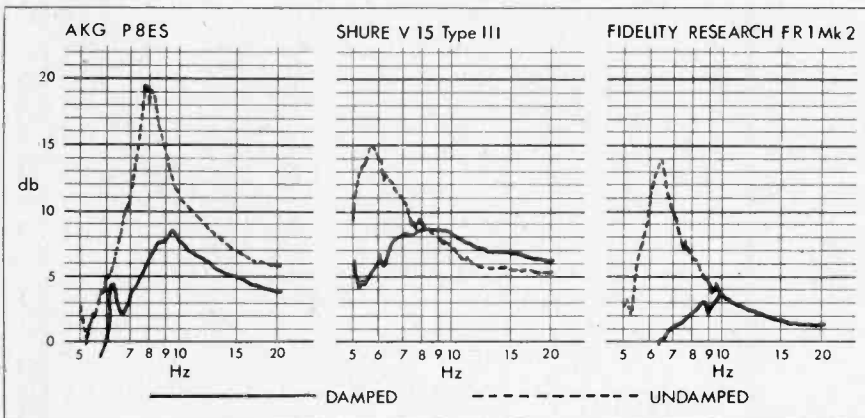
The FD200 fluid damper renders the pick-up arm less lively. In this respect it performs a similar function to the shock absorber of a motorcar. The damper does not resist the normal slow passage of the arm across the record, but any influence which would tend to produce rapid arm motion is resisted because of the flow characteristic of the fluid.

The benefits are smoother bass, resis-

tance to external shock and reduction of spurious low frequencies. The prior art has been to apply damping at the bearings but this method is inherently inefficient and liable to migration of the damping fluid. The FD200 overcomes these problems as it is applied at a radius of 1.45 inches (36.8mm) making it several times more effective.

It is suitable for use with all Series II and Series II Improved arms and offers a choice of three damping rates to suit all cartridge compliances.

The attractively presented kit includes all parts necessary for the conversion which is easily carried out by the user following the explicitly illustrated instruction booklet. It is recommended for all cartridges, particularly those of relatively low compliance which might otherwise require a more massive arm.



The illustrations show typical extreme low frequency response characteristics of three cartridges in the Series II Improved arm.

Note the substantial reduction in the Q of the low frequency resonance. Although

these frequencies are themselves outside the range of human hearing they give rise to undesirable side-effects which are audible.

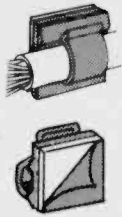
WW-010 FOR FURTHER DETAILS

Write to Dept 0643B · SME Limited
Steyning · Sussex · BN4 3GY

SME

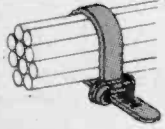
The best pick-up arm in the world

PLASTIC FASTENERS FOR ELECTRONICS

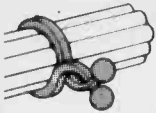


SELF-ADHESIVE CABLE CLIPS are a quick and simple means of securing cables, cords and small looms to flat surfaces. No drilling or fixing screws necessary. The peel-off backing is removed immediately before placing the clip. The coating adheres to most clean, flat surfaces and withstands a wide range of humidity and temperature. Cable clips are moulded in natural nylon and have rounded edges to prevent damage to the cables.

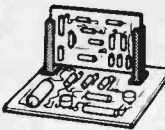
CABLE STRAPS are semi-permanent fasteners for strapping wires and cables into tight, compact looms. The ratchet fastener is adjustable and can be released by pinching-in the sides of the fastener head. Cable straps are made from black nylon.



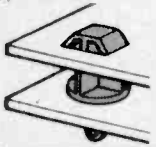
WIRE TIES are a flexible means of fastening wires and small cables into orderly, compact looms. They are quick and easy to fit and can be re-used, greatly reducing re-loomng times. Wire ties are made from nylon and are available in various sizes each determined by a different colour.



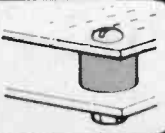
The **P.C. BOARD GUIDE** is a self-retaining edge support for printed circuit boards. It has good panel retention and grips p.c. boards firmly and securely. The guide is available in two types of material - yellow acetal or grey Noryl, for high temperature and voltage applications.



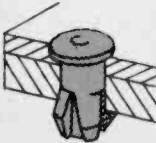
P.C. BOARD SPACERS are simple to fit, one-piece mouldings for use with p.c. boards. They have a self retaining shank for fastening into panels and a T-shaped anchor for securing p.c. boards of 0.062" thickness. They have good resistance to vibration and are suitable for board-to-board or board-to-chassis use.



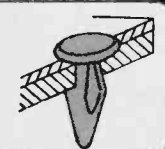
P.C. BOARD STAND-OFFS are quickly assembled, self-retaining panel supports for p.c. boards. Made from natural (off white) nylon and have good resistance to vibration. Suitable for panels up to 0.079" thickness. Stand-Offs accept a No. 4 self-tapping screw.



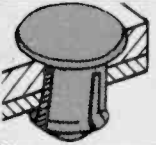
PLASTIC RIVETS fasten panels, fittings and name plates to metal plastic and wood. Resilient enough to fix into brittle materials like fibreglass, hardboard and glass. Shank, head and pin are one piece. Fixing is by driving the pin through the head into the space between the legs, gripping the work.



DRIVE FASTENERS hold two or more panels together. Easily fixed, normally by thumb pressure. No special tools required. Boat-shaped DRIVE Fasteners are for panels of thin and medium thickness and are removable. Ribbed Drive Fasteners are used in blind holes where hole length exceeds length of shank.



PLASTIC HOLE PLUGS are quick, inexpensive means of plugging unwanted holes. Hole Plugs keep out dust, dirt and moisture. Attractively shaped heads give a neat finish. The snap action grip of the Hole Plug makes a vibration resistant seal. Hole-Plugs are made from nylon and are non-corrosive.



LOKUT ANCHORS are used to strengthen holes by providing additional screw thread engagement in materials where self-tapping screws would be unsatisfactory. Made from high strength nylon and used in insulation, and electrical chassis work. Easily fitted by hand.



1000's OF OTHER TYPES OF PLASTIC AND METAL FASTENERS
LEAFLETS ON REQUEST

HARMSWORTH

HARMSWORTH, TOWNLEY & CO. LTD.
HAREHILL TODMORDEN LANCS OL14 5JY
Phone TODMORDEN 2601 (STD 070-681 2601)

WW-028 FOR FURTHER DETAILS



*Illustration actual size

ORYX SUPER 30

The feature packed general purpose iron built to professional standards for only £2.95 + (8%vat)

When we introduced the Super 30 last year it was the best general purpose soldering iron at its price in Britain—it still is, at only £2.95p. (plus 8% VAT)

The ORYX Super 30 offers you all these features as standard: Neon safety light. Long life element. Iron coated screw-on tip. Stainless steel shaft. Styled handle. Two minute element change and a stainless steel clip-on hook.

Industrial Distributors include:
Electroplan Ltd. Orchard Road,
Royston, Herts SG8 5HH
GDS (Sales) Ltd. 380 Bath Road,
Slough, Berks SL1 6JE
ITT Electronic Services Edinburgh
Way Harlow, Essex CM20 2DF

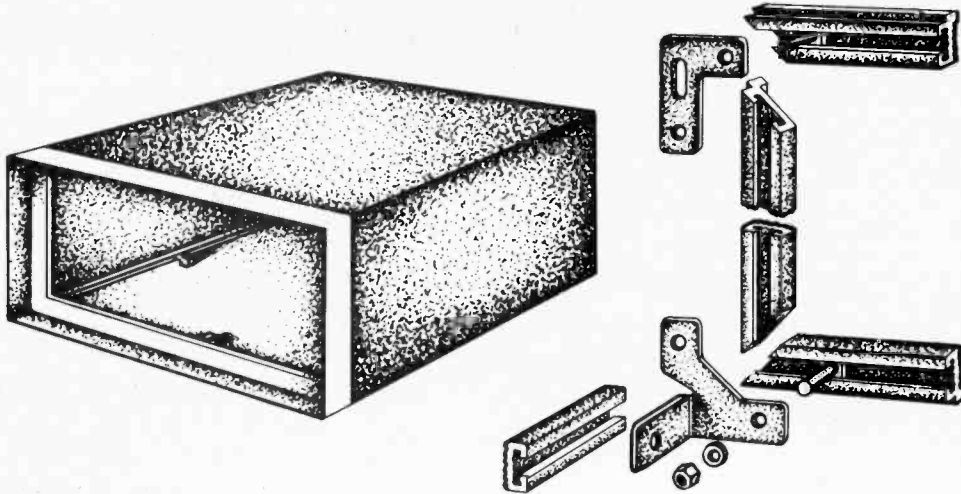
Greenwood Electronics

Greenwood Electronics, Portman Road, Reading, RG3 1NE
Telephone: 0734-295344. Telex 848659

WW-019 FOR FURTHER DETAILS

when is a box not a box?

Instrument boxes are often sold in standard sizes – not always the most practical sizes for your needs. When bought they take up a lot of storage space.



WIDNEY DORLEC Series 3 is a new, simple constructional system for building cases, boxes, chassis, frames, drawers etc. etc. Just 3 basic extrusions and 3 simple brackets – available as components for DIY, kits,

or fully finished products to your design.

Custom made cases at prices you pay for standards. Ideal for Laboratories, Universities, small workshops. Call Cyril Widghan on 021-359 3044 for more details.

Northern Stockist:
Widney Dorlec (Northern) Ltd.
181a Bramhall Lane.
Stockport.
Telephone: 061-480 1333.

widney dorlec

P.O. Box 133,
Birmingham B4 7BD.
Telephone: 021-359 3044
Telex: 338054.

WW—025 FOR FURTHER DETAILS

FREQUENCY COUNTERS

1/10 Hz to 1.2GHz

High performance instruments measuring frequency, period, time, freq./ratio and calibrated output facility. Fast delivery. Specials by arrangement.



TYPE 801B

CRYSTAL OVEN
OPERATING MANUAL
TWO TONE BLUE CASE

£280 250 MHz

Sensitivity 10mV. Stability 5 parts 10.¹⁰

-Resolution ± 1 Count

301M	32MHz 5 Digit £98	401A	32MHz 6 Digit £135
501	32MHz 8 Digit £192	701A	80MHz 8 Digit £210
801B/M	250MHz 8 Digit £280	901M	520MHz 8 Digit £385
		1001M	1.2GHz 8 Digit £670

Start/Stop versions plus £18

Memory versions available if not suffixed M £30 extra

Type 101 1MHz 100KHz 10 KHz Crystal Standard £98

Type 103 Off/Air Standard £98

SUPPLIERS TO: Ministry of Defence, G.P.O., B.B.C., Government Depts., Crystal Manufacturers and Electronic Laboratories world-wide

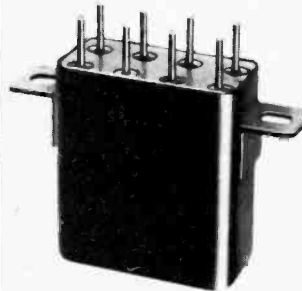


R.C.S. ELECTRONICS
6 WOLSEY ROAD, ASHFORD
MIDDX. TW15 2RB
Telephone: Ashford (Code 69)
53661/2

WW—075 FOR FURTHER DETAILS

Four Good Reasons for using Zettler Relays:

Zettler Relays are first class quality. We have about 50 years experience in producing relays. Zettler Relays are readily available. Most are available ex stock Harrow. Zettler Relays are proved in practical applications. Millions are used in our own electronic systems and products. Zettler has the right relay for most applications, e. g.:



AZ 412 Hermetically Sealed Relay

D. C. operated relay,
2 changeovers.
Contact rating:
28 volts 2 amps D. C.
Spec.: MIL-R-5757.
Constant, low contact resistance.
Independent of ambient conditions
in temperature range
-55°C to + 75°C.
Long life,
10⁷ "dry-circuit" operations.



Let us help you with your switching problems.

ZETTLER

est. 1877

Zettler UK Division
Brember Road · Harrow, Middx. HA2 8AS · Tel. (01) 422 0061

Zettler offers more than technology

WW—011 FOR FURTHER DETAILS

Ferranti make it an all-British line-up for their family of RF Power Transistors.

Ferranti can now offer a popular range of RF power transistors to cover B and C Series—175 MHz and 470 MHz, for 12 volt and 28 volt applications. And there's a choice of three power outputs in each range—3 watts, 12 watts and 25 watts and a choice of ceramic stripline with stud or flange mounting.

They're competitively priced and can be used as plug-in replacements for other B and C Series transistors.

Of course our full product range covers 2MHz to 2GHz, and power outputs up to 70 watts. We can supply whole line-ups at VHF and UHF frequencies, for FM and AM systems and devices, for amplifiers, oscillators or frequency multipliers.

And don't forget Ferranti RF power transistors are ruggedised and 100% tested to withstand infinite VSWR at all phase angles. Ferranti are the only independent British supplier of RF power transistors. Our technology is all home based and we have an application team ready to help with design problems.

Send for a copy of our comprehensive shortform catalogue.

Ferranti Limited, Electronic Components Division, Gem Mill, Chadderton, Oldham, Lancs, OL9 8NP
Telephone: 061-624 0515 Telex: 668038

FERRANTI

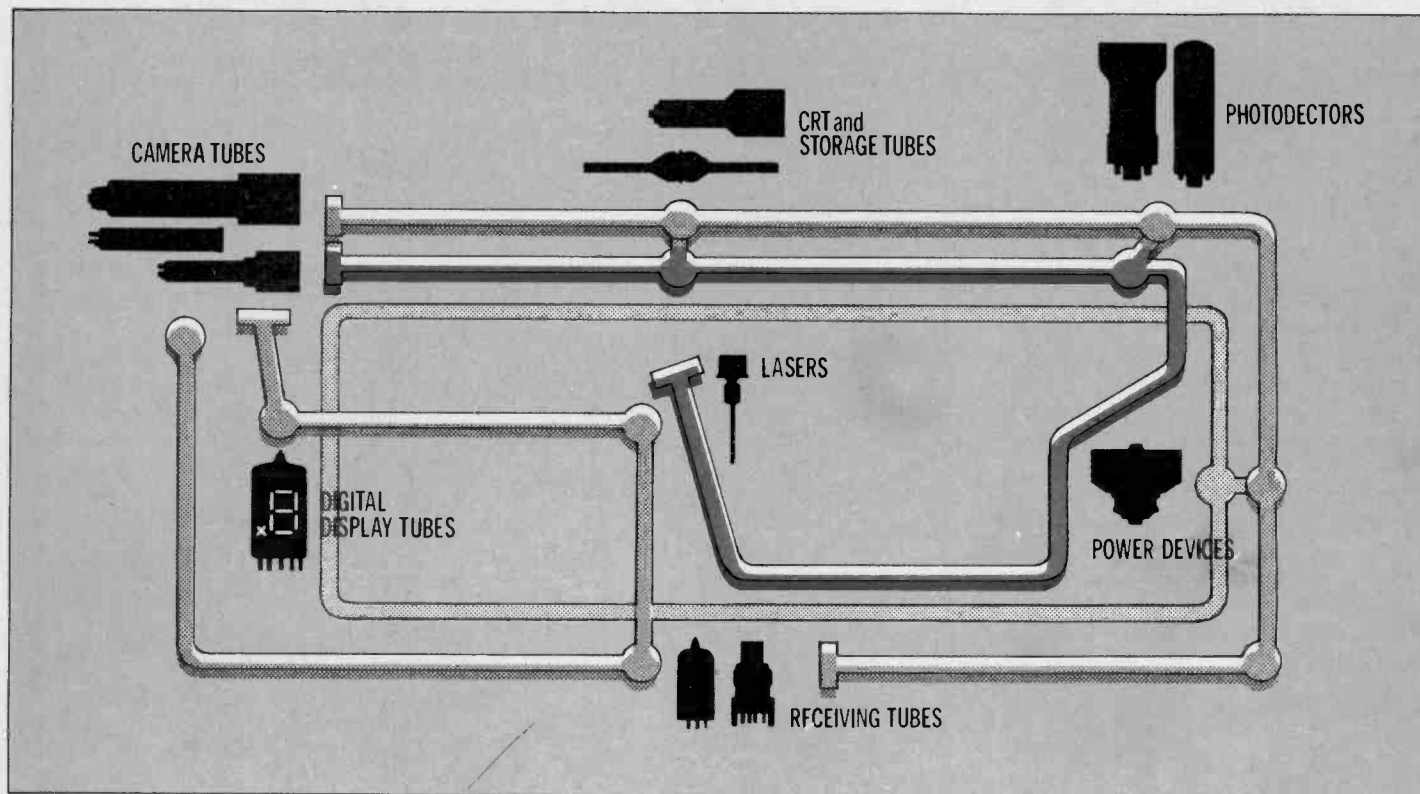
RF power. We can deliver.



FE 484 

WW-046 FOR FURTHER DETAILS

The Industrial Tube Guide



RCA offer the definitive guide to industrial tube products. A collection of literature, full of information on a vast range from camera tubes to digital display tubes. Lasers to photomultipliers. Power devices to

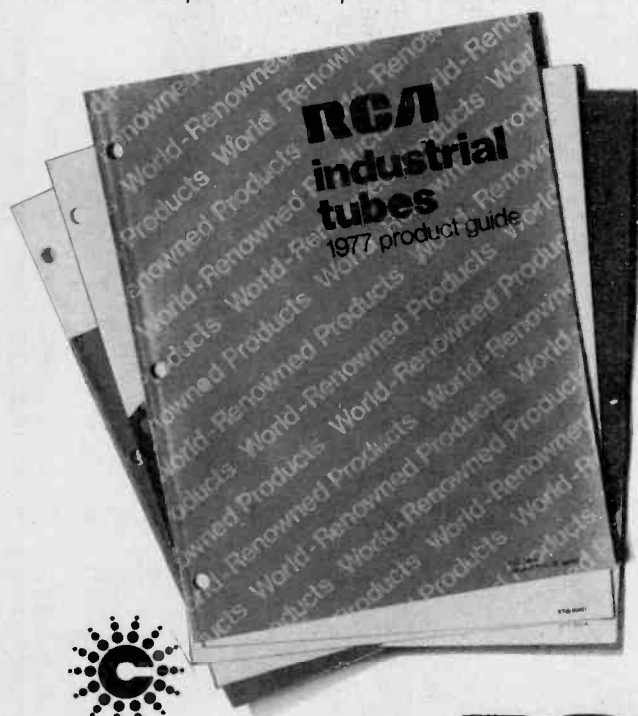
receiving tubes. LEDs to CCD Image Sensors. It can save time, trouble and money, yet it's free on request.

The brochures set out clearly and conveniently, data on a wide and diverse range of product groups. Apart from initially grouping products into types and outlining major parameters, there are expanded catalogues on most products.

These include selection, replacement, equivalents and characteristics tables to help you narrow your choice.

If your business involves industrial tubes, this is one guide you should not be without.

Just call or send the coupon.




 Crellon Electronics Ltd.
 (incorporating ECS and GDS Sales)

RCA

Crellon Electronics Ltd.,
 380 Bath Road, Slough, Berks SL1 6JE.
 Tel: Burnham (06286) 4434 Telex: 847571

12/77

Please send me the RCA Industrial Tube Guide

Name _____

Company _____

Address _____

Tel: _____

WW-089 FOR FURTHER DETAILS



They're here! For PAL.

Yes, actually available in Britain! It took a year due to unprecedented demand for NTSC. But the outstanding $\frac{3}{4}$ " U-format colour video cassette recorders from JVC have now arrived.

Six brilliantly versatile models with the name that's known for innovation. You've heard about them. You've talked about them. Now see for yourself what's behind their global reputation. Whatever the brief - for boardroom or classroom, oil-rig or top-flight recording studio - there's a model that's right... flexible in operation... reliable in the extreme.

From JVC - the name worth its wait.

And for all U-format systems - famous for colour clarity, the Fuji video cassette, Beridox, is also available from Bell & Howell.

 **BELL & HOWELL**

WW-057 FOR FURTHER DETAILS

To Bell & Howell A-V Ltd.,
Freepost, Wembley, HA0 1BR.

**And I'm here! Please send me
the literature.**

Name

Organisation

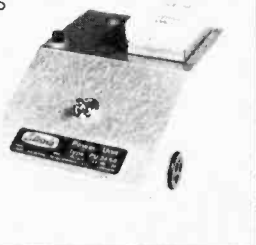
Address

WW1277

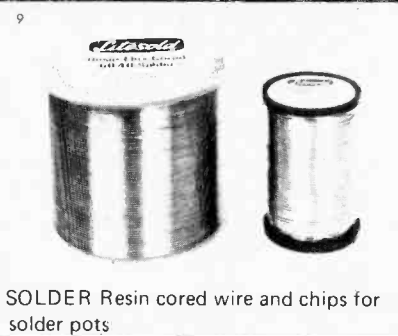
Total Capability in soldering

LITESOLD

POWER UNITS
for soldering,
irons, pots,
strippers, etc.



11



SOLDER Resin cored wire and chips for
solder pots

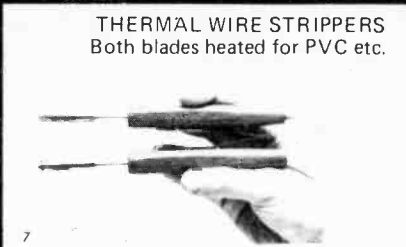


ETC/2B SYSTEM Tamper-proof,
adjustable electronic temperature control



MINIATURE SOLDERING IRONS
Some of the world's smallest irons,
mains and low voltage

6



THERMAL WIRE STRIPPERS
Both blades heated for PVC etc.

7

Send TODAY for FREE
Catalogue with full details
of this and other
equipment

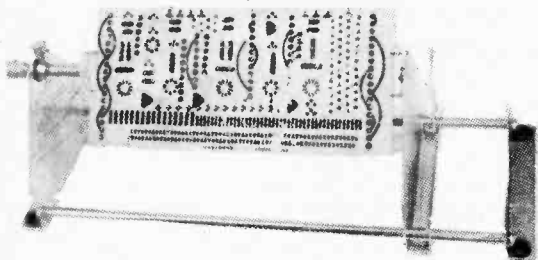
LIGHT SOLDERING DEVELOPMENTS LTD

97-99 Gloucester Road, Croydon, Surrey CRO 2DN Telephone 01-689 0574, Telex 8811945

WW — 071 FOR FURTHER DETAILS

NEW for electronic design engineers!

FIX-PRINT for printed circuits

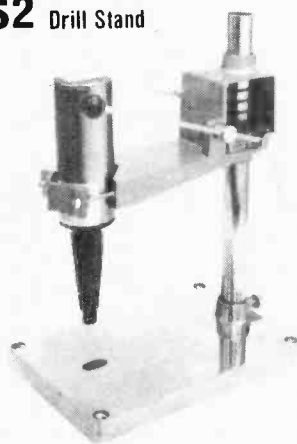


Invaluable for holding P.C.B.s and other panels when inserting and soldering components. Can be adjusted to suit work up to 280mm, rotating to gain access to reverse side and locks in any position. All metal.

Price £10 inc. VAT. P&P £1

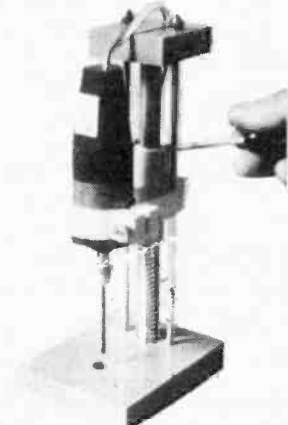
Write or phone for full details

S2 Drill Stand



Robust, all metal with ample throat dimensions. Adjustable height cantilever with lever actuated feed. Spring return. Will accept both P1 & P2 drills. Price £18.50 inc. VAT. P&P 106p. P2 Drill £16.50 inc. VAT. P&P 86p

S1 Drill Stand



Constructed to take the popular P1 drill and ensure a high degree of accuracy in all types of electrical precision work. Price £5.13 inc. VAT. P&P 38p. P1 Drill £9.67 inc. VAT. P&P 38p



Sole UK Distributors

PRECISION PETITE LTD

119a HIGH STREET TEDDINGTON MIDDLESEX TW11 8HG

TEL: 01-977 0878

WW—067 FOR FURTHER DETAILS

SWT₂
CT 64
VISUAL DISPLAY TERMINAL



- ★ 16 Lines per page
- ★ 64 or 32 Characters per line
- ★ Upper and lower case letters
- ★ Full 8 Bit Memory
- ★ 128 Character Ascii Set
- ★ 110/220 Volt 50-60 Hz Power Supply
- ★ Scrolling or Page Mode Operation
- ★ Control Characters decoding — 32 Combination
- ★ Prints Control Characters
- ★ Usable with *any* 8 Bit Ascii Computer
- ★ Reversed Background — **HIGHLIGHTING**

Complete with:— Chassis and cover, cursor control, 110-1200 Baud serial interface and keyboard.
 Optional monitor show in photo available.

Now you can buy it. The Terminal that has all the features that people have been asking us to include. The CT-64 has all the functions that you could want in a terminal and they may be operated by either switches, or through a software programme.

All cursor movements, home-up and erase, erase to end of line, erase to end of frame, read on, read of, screen reversal, scroll, no scroll, solid cursor, blinking cursor, page selection and a beeper to warn you of end of page; all are provided for your use in the CT-64.

You may also switch from upper case only, teletype style operation to upper-lower case typewriter style operation. You can reverse the field on individual words to highlight them, or you can reverse the whole screen.

CT-64 is complete with keyboard, power supply serial interface and case. A matching 9 inch monitor with co-ordinated covers is also available to make a complete system.

Price effective 1/11/77 Visual Display Terminal CT-64 **£230** Kit Form
 Matching Monitor CT-VM **£140** Assembled

A UHF Modulator is also available which allows you to plug into the aerial socket of your T.V. On some T.V.s unless the line length is limited to 32 characters some definition will be lost.

MOD 1 Modulator £4.50

Prices quoted do not include VAT

Please send me details of your full range of computer equipment and software

Name

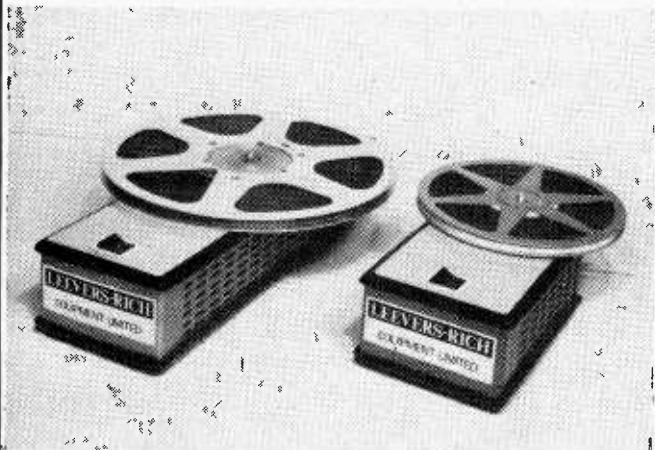
Address

.....

.....

**SOUTHWEST TECHNICAL
 PRODUCTS CO.
 174 IFIELD ROAD
 LONDON SW10
 TEL. 01-373 8571**

BULK ERASURE PROBLEMS?



LR71

MAX REEL SIZE 11 1/2"

LR70

MAX REEL SIZE 8 1/4"

If it's personal we can only advise a diet or joining weightwatchers. If it's to do with tape, then why not consider the LR70/71 bulk tape erasers. They are simple to operate and will erase cassettes, cartridges and reels of tape up to a maximum reel size of 11 1/2" and tape width of 1", quickly and efficiently within the time it takes to read this advertisement.

The LR70/71 bulk erasers are currently used in Broadcast Companies, Recording Studios, Government Departments, Educational Establishments and the Computer Industry.

Moderately priced and available from

**LEEVERS-RICH EQUIPMENT LIMITED
INCORP. BIAS ELECTRONICS**

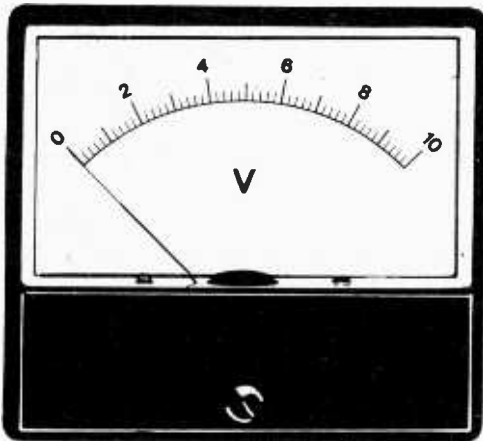
319 Trinity Road, Wandsworth, London SW18 3SL

Telephone 01-874 9054

Cables: Leemag London SW18. Telex 923455 Wembley

WW-04! FOR FURTHER DETAILS

METER PROBLEMS?



137 Standard Ranges in a variety of sizes and stylings available for 10-14 days delivery. Other Ranges and special scales can be made to order.

Full Information from:

HARRIS ELECTRONICS (London)

138 GRAYS INN ROAD, W.C.1 Phone: 01/837/7937

WW - 035 FOR FURTHER DETAILS

seen from the professional angle



the 201 is something quite personal...

The M 201 Hypercardioid moving coil microphone is designed for recording or broadcasting. The M 201 offers excellent separation characteristics in extreme acoustical conditions.

Specifications:

Frequency Response: 40-18000 Hz.
Output Level at 1 kHz: 0,14 mV/ μ bar
 \pm -56 dbm (0 dbm \pm 1 mW/10 dynes/cm²). EIA Sensitivity Rating: -149 dbm. Hum Pickup Level: 5 μ V/5 μ Tesla (50 Hz). Polar Pattern: Hypercardioid. Output Impedance: 200 Ω . Load Impedance: > 1000 Ω . Connections: M 201 N (C) = Cannon XLR-3-50 T or Switchcraft: 2+3 = 200 Ω , 1 = ground. M 201 N = 3-pin DIN plug T 3262: 1+3 = 200 Ω , 2 = ground. M 201 N (6) = 6 pin Tuchel.

Dimensions: length 6", shaft \varnothing 0,95".
Weight: 8,60 oz.



BEYER DYNAMIC (GB) LIMITED

1 Clair Road, Haywards Heath, Sussex.

Tel: Haywards Heath 51003

WW-031 FOR FURTHER DETAILS

BIMCONSOLES

BIMBOXES

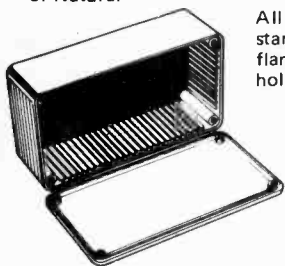
BIMBOARDS

BIMDRILLS

BIMINDICATORS

ABS & DIECAST BIMBOXES

5 sizes, in either ABS or Diecast Aluminium
ABS moulded in Orange, Blue, Grey or Black
Diecast Aluminium available in Grey Hammetone
or Natural



All boxes incorporate guides on all sides for holding 1.5mm thick pcb's and stand-off bosses in base for supporting small sub-assemblies etc. Close fitting flanged lids held by screws running into integral brass bushes (ABS) or tapped holes (Diecast).

	ABS	Diecast	Hammetone	Natural
(100x50x25mm)	BIM2002/12 £0.87*	BIM5002/12 £1.20*	£1.20*	£0.97*
(112x62x31mm)	BIM2003/13 £0.97*	BIM5003/13 £1.50*	£1.50*	£1.20*
(120x65x40mm)	BIM2004/14 £1.05*	BIM5004/14 £1.86*	£1.86*	£1.49*
(150x80x50mm)	BIM2005/15 £1.18*	BIM5005/15 £2.38*	£2.38*	£1.91*
(190x110x60mm)	BIM2006/16 £1.84*	BIM5006/16 £3.41*	£3.41*	£2.85*

Also available in Grey Polystyrene (112x61x31mm) with no slots and self tapping screws BIM2007/17 £0.82*

MINI DESK BIMCONSOLES

Moulded in Orange, Blue, Black or Grey ABS and incorporating guides on all sides for holding 1.5mm thick pcb's. 1mm Grey Aluminium panel sits recessed into front of console and held by screws running into integral brass bushes. Stand-off bosses in base for supporting small sub-assemblies etc. 4 self adhesive rubber feet also included.

BIM1005 (161x96x58mm) £1.97*
BIM1006 (215x130x75mm) £2.70*



LOW PROFILE BIMCONSOLES

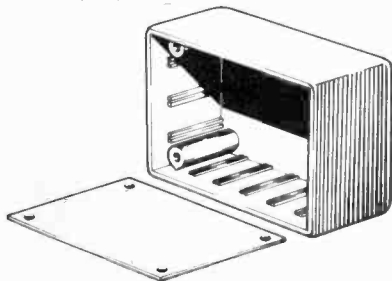
1mm Grey Aluminium panel sits recessed into front of console base, which is moulded in Orange, Blue, Black or Grey ABS and sits on 4 self adhesive rubber feet. Incorporating guides for holding 1.5mm thick pcb, the base also has stand-off bosses for supporting small sub-assemblies etc. and ventilation slots. Front panel is held by 4 screws which run into integral brass bushes.

BIM6005 (143x105x55.5[31.5] mm) £2.14*
BIM6006 (143x170x55.5[31.5] mm) £2.73*
BIM6007 (214x170x82[31.5] mm) £3.75*

MULTI-PURPOSE BIMBOXES

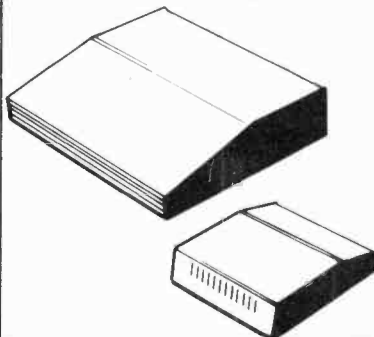
Moulded in Orange, Blue, Black or Grey ABS with 1mm thick Grey aluminium recessed front cover which is retained by 4 screws running into integral brass bushes. 1.5mm pcb guides are incorporated on all sides and as with all ABS boxes they are 85°C rated. 4 self adhesive rubber feet also included.

BIM 4003 (85x56x28.5mm) £1.13*
BIM 4004 (111x71x41.5mm) £1.42*
BIM 4005 (161x96x52.5mm) £1.87*



All aluminium, 2 piece desk consoles with either 15° or 30° sloping fronts, sit on 4 self adhesive non slip rubber feet. Ventilation slots in base and rear panels permit efficient cooling.

Colour Code	Top Panel	Base	15° Sloping Panel	
A	Off White	Blue	BIM7151 (102x140x51[28] mm)	£ 7.66*
B	Sand	Green	BIM7152 (165x140x51[28] mm)	£ 8.51*
C	Satin Black	Gold	BIM7153 (165x216x51[28] mm)	£ 9.35*
			BIM7154 (165x211x76[33] mm)	£10.21*
			BIM7155 (254x211x76[33] mm)	£11.05*
			BIM7156 (254x287x76[33] mm)	£11.92*
			BIM7157 (356x211x76[33] mm)	£12.76*
			BIM7158 (356x287x76[33] mm)	£13.60*

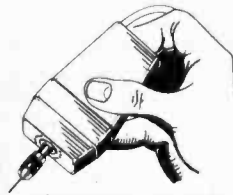


30° Sloping Panel	
BIM7301 (102x140x76[28] mm)	£ 7.66*
BIM7302 (165x140x76[28] mm)	£ 8.51*
BIM7303 (165x183x102[28] mm)	£ 9.35*
BIM7304 (254x140x76[28] mm)	£10.21*
BIM7305 (254x183x102[28] mm)	£11.05*
BIM7306 (254x259x102[28] mm)	£11.92*
BIM7307 (356x183x102[28] mm)	£12.76*
BIM7308 (356x259x102[28] mm)	£13.60*

MAINS BIMDRILL

Operates directly from 220-240Vac and supplied with 2 metres long cable fitted with 2 pin DIN plug. Will drill brass, steel and aluminium as well as pcb's etc. Has integral biased-off switch and accepts tools with 1,2 and 3.2mm dia shanks £9.72*

Accessory Kit including 1mm, 2mm, .125" twist drills, 5 burrs and 2.4mm collet £2.20*



12 VOLT BIMDRILLS

2 small but powerful 12V dc drills, easily held in hand or used with lathe/stand adaptor. Both drills have integral on/off switches and 1 metre long cable.

Mini Bimdrill with 2 collets up to 2.4mm capacity £7.56*

Major Bimdrill with 3 collets up to 3mm capacity £12.96*

Mains to 12 Volts adaptor, lathe, stand and accessory kits also available, details on request.

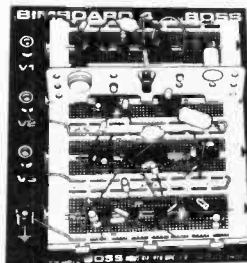


DIL COMPATIBLE BIMBOARDS

Bimboards accept all sizes of DIL packages as well as resistors, diodes, capacitors and LED's etc. They have integral Bus Strips running up each side for carrying Vcc and ground as well as Component Support Brackets for holding lamps, fuses and switches etc. Available as either single or multiple units, the latter mounted on 1.5mm thick, matt black aluminium back plates which stand on non slip rubber feet and have 4 screw terminals for incoming power.

Bimboard 1 contains 500 individual sockets whereas the multiple units containing 2, 3 or 4 Bimboards incorporate 1,100, 1,650 or 2,200 individual sockets, all arranged on a 2.5mm(0.1") matrix.

Bimboard 1 £ 9.72* Bimboard 2 £22.68*
Bimboard 3 £32.40* Bimboard 4 £42.12*



BIMINDICATORS



Remember we are also one of Europe's largest manufacturers of Filament, Neon and LED indicators. Send for our BIMINDICATOR DATA

BOSS

INDUSTRIAL MOULDINGS LIMITED

2 Herne Hill Road, London SE24 0AU

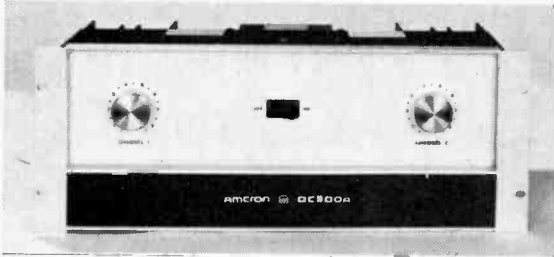
Telephone: 01-737 2383

Telex: 919693 Answer Back 'LITZEN G'

Cables & Telegrams: 'LITZEN LONDON SE24'

*All quoted prices are 1 off and include Postage, Packing and VAT. Terms are strictly cash with order unless you have authorised BOSS account. For individual data sheets on all BOSS products send stamped, self addressed envelope

HIGH POWER DC-COUPLED AMPLIFIER



- ★ UP TO 500 WATTS RMS FROM ONE CHANNEL
- ★ DC-COUPLED THROUGHOUT
- ★ OPERATES INTO LOADS AS LOW AS 1 OHM
- ★ FULLY PROTECTED AGAINST SHORT CCT, MISMATCH, ETC.
- ★ 3 YEAR WARRANTY ON PARTS AND LABOUR

The DC300A Power Amplifier is the successor to the world famous DC300 which is so widely used in Industrial, and Research applications in this country. It is DC-coupled throughout so providing a power bandwidth from DC to over 20,000Hz. The ability of the DC300A to operate without fuss into totally reactive loads while delivering its full power, and maintaining its faithful reproduction of Pulse or complex waveforms has established the DC300A as the world's leading power amplifier. Each of the two channels will operate into loads as low as 1 ohm, and the amplifier can be rapidly connected as a single ended amplifier providing over 650 watts RMS into a 4 ohms load, and still providing a bandwidth down to DC. Below is a brief specification of the DC300A, but if you require a data sheet, or a demonstration of this fine equipment please let us know.

Power Bandwidth	DC 20kHz \pm 150 watts + 1db. 0db.	Slewing Rate	8 volts per microsecond
Power at clip point (1 chan)	500 watts rms into 2.5 ohms	Load impedance	1 ohm to infinity
Phase Response	+0 - 15 DC to 20kHz, 1 watt 8Ω	Input sensitivity	1.75 V for 150 watts into 8Ω
Harmonic Distortion	Below 0.05% DC to 20kHz	Input Impedance	10K ohms to 100K ohms
Intermod. Distortion	Below 0.05% 0.01 watt to 150 watts	Protection	Short, mismatch & open cct. protection
Damping Factor	Greater than 200 DC to 1kHz at 8Ω	Power supply	120-256V, 50-400Hz
Hum & Noise (20-20kHz)	At least 110db below 150 watts	Dimensions	19" Rackmount, 7" High, 9 $\frac{1}{2}$ " Deep
Other models in the range: D60 — 60 watts per channel		D150A — 150 watts per channel	

Other models available from 100 watts to 3000 watts



MACINNES LABORATORIES LTD.

MacInnes House, Carlton Park Industrial Estate
Saxmundham, Suffolk IP17 2NL. Tel: (0728) 2262 2615

MACINNES FRANCE

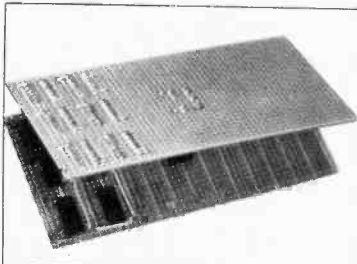
18 Rue Botzaris
Paris 75019, France
Tel: 206-60-80 or 206-83-61

WW-044 FOR FURTHER DETAILS

V-Q

WAS MADE FOR YOU

VERO QUAD BOARD was designed to provide a simple circuit board capable of accepting nearly all types of integrated circuits, plus transistors, resistors, capacitors and many other components.



ASK FOR V-Q — IT WAS MADE FOR YOU

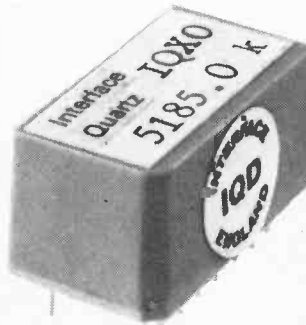
No track cutting. 1,624 holes on 0.1" x 0.1" matrix. Packed complete with layout sheet. Fits Vero Plastic Cases 1237, 1238 and 1239. Costs about 90p from your local shop or mail order company.

Send for our booklet describing many other products made for you, S.A.E. 7" x 9" plus 10p to:

VERO ELECTRONICS LTD. RETAIL DEPT.
INDUSTRIAL ESTATE, CHANDLERS FORD,
HANTS. SO5 3ZR.

WW-061 FOR FURTHER DETAILS

VERO



IQXO

MINIATURE
QUARTZ
CRYSTAL
OSCILLATORS

INTERFACE QUARTZ DEVICES LTD.

World-wide exporters of crystals & filters
Manufacturers of DIP crystal oscillators
from 240Hz to 20MHz

sole agents for

FILTRONETICS LC & crystal filters from 10Hz to 100MHz

STATEK Ultra miniature low frequency crystals

ELECTRO DYNAMICS High volume timing crystals

29 Market Street, Crewkerne, Somerset England TA18 7JU
Telephone (0460) 74433 Telex 46283 inface g

WW-070 FOR FURTHER DETAILS

the impact of electronics

A major international conference organised by Electronics Weekly.

Hilton Hotel, Park Lane, London. Thursday, December 8th, 1977

An opportunity to discover how developments in electronics will bring far-reaching changes to industry, commerce, leisure and society.

This major international conference is an attempt to create an awareness of what is happening in terms of the social and economic effects of the electronics revolution, which can only be minimised and turned to good account if all those concerned understand what is involved.

In a series of papers, leading figures in electronics from Britain and other countries will explain that while new technology may be disruptive, this can be lessened if long-term plans based on sound knowledge are made.

This conference can be your first step towards acquiring this knowledge — the key to choosing the right way ahead.

Subjects and speakers will include:

The Impact of Electronics—Past, Present and Future, by Jack Akerman (Managing Director of Mullard Ltd., Chairman of the Electronic Component Industry Federation, and member of Electronics EDC).

The Impact of New Technology in Telecommunications, by Kenneth Corfield (Deputy Chairman and Managing Director of Standard Telephone and Cables Ltd., and Senior Officer of ITT in the United Kingdom).

The Microprocessor in the Home, by Dr Steve Forte (Managing Director of General Instrument Microelectronics Ltd since 1971 and has many years experience of the Semiconductor industry).

The Microcomputer in Industry and Commerce, by Alex d'Agapeyeff, OBE, (Chairman of Computer Analysts and Programmers Ltd).

The Impact of Microelectronics on Employment, by Dr Alfred Prommer (Vice President of Siemens AG, West Germany, and head of sales and marketing in the company's components group).

Lord Orr-Ewing, OBE, C.Eng. (Chairman of Ultra Electronics Ltd); Sir Ieuan Maddock, CB, OBE, FRS (Deputy Chairman of the National Electronics Council) and Lord Thornycroft (Chairman of Pye of Cambridge Ltd) have all agreed to chair the sessions.

The concluding **Open Forum** will feature a panel of experts which will include William C Hittinger (Executive Vice President, research and engineering, RCA Corporation USA); Gerrit Jeelot (Chairman and Managing Director of Philips Industries UK); Derek Roberts (Managing Director of Plessey Microsystems Division) and Frank Chorley (Managing Director, Plessey Electronic Systems Ltd).

The conference commences at 9.00am and closes at 5.30pm.

The fee is £60 plus 8% VAT (£4.80) per delegate.

To be sure of reserving your seat for this occasion please complete the form on right:



Kenneth Corfield

Jack Akerman

Dr. Steve Forte

Gerrit Jeelot



Frank K. Chorley

Alex d'Agapeyeff

Derek Roberts

Please complete in CAPITALS and send to: Conference Administrator, IPC Business and Industrial Training Ltd., Surrey House, Throwley Way, Sutton, Surrey SM1 4QQ. Telephone: 01-643 8040.

Please reserve.....places for *The Impact of Electronics* conference to be held at the London Hilton on Thursday December 8th 1977.

The fee is £60 plus 8% VAT (£4.80) per delegate.

Mr. Mrs. Miss

Position

Mr. Mrs. Miss

Position

the impact of electronics presented by Electronics Weekly

Please send confirmation of booking and invoice to:

Mr. Mrs. Miss

Company

Address

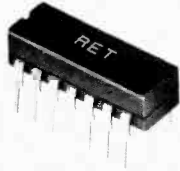
Telephone

From TOKO, the world's foremost manufacturer of wound components, a complete range of quality

DELAY LINES-10nS to 8uS

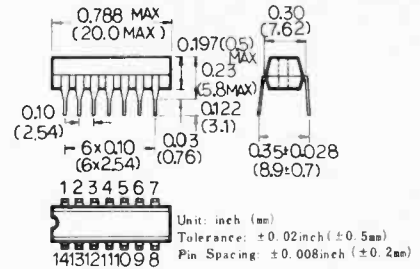
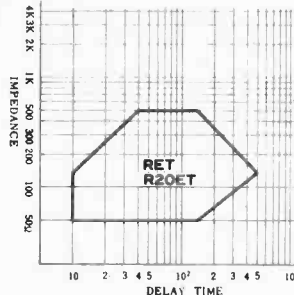
Including the TYPE RET- Available in 14 or 16 DIL, operational temperature range 0-70°C

TYPE RET



- IMPEDANCE 50 to 500Ω
- DELAY TIMES to within ±5%
- PEAK PULSE VOLTAGE 50v
- 10 TAP POINTS
- LOW COST

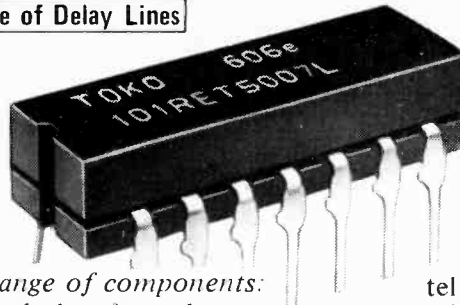
The RET series DIL epoxy-molded delay lines are designed to fulfill a wide range of applications where accurate timing of fast pulse waveforms is required.



Also from TOKO's Standard Range of Delay Lines

Type	Taps	Maximum delay
F10R	nil	10nS to 600nS
FXT	10	400nS to 1.5uS
MKT	20	100nS to 3uS
BMT	10	400nS to 8uS

And the new PROGRAMMABLE:
M10CG 4 or 5 sections, with a maximum Td of 150nS



TOKO (UK) Ltd
Ward Royal Parade
Alma Road
Windsor, Berkshire.



tel: Windsor (07535) 54057
telex: 848095

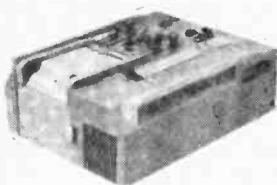
Also from TOKO's General Range of components:
Signal coils, transformers and chokes for radio, tv, mpx etc. DC-DC converters, Pulse Transformers, Wire memories, ceramic, mechanical and LC filters.

WW-013 FOR FURTHER DETAILS

FAST RESPONSE STRIP CHART RECORDERS

Made in USSR

Series H3020

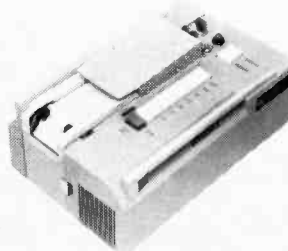


Basic error: 2.5%
Sensitivity: 8mA F.S.D.
Response: 0.2 sec.
Width of each channel:
Single and three-pen
recorders: 80mm
Five-pen recorders: 50mm

Chart speeds, selected by push buttons: 0.1-0.2-0.5-1-10-20-50-100-250 mm/sec.
Chart drive: 200-250V 50Hz
Recording: Syphon pen directly attached to moving coil frames.
Curvilinear co-ordinates
Equipment: Marker pen, timer pen, paper footage indicator, 10 rolls of paper, connectors, etc.

- H3020-1 (Single pen):** 285mm wide x 384mm deep x 165mm high **PRICE £108.00**
- H3020-3 (Three pen):** 475mm wide x 384mm deep x 165mm high **PRICE £160.00**
- H3020-5 (Five pen):** 475mm wide x 384mm deep x 185mm high **PRICE £295.00**

Series H327



Polarized moving iron movements with syphon pens directly attached. Built-in solid state amplifier (one per channel) provides 8 calibrated sensitivity steps. Two marker pens are provided. Basic error 4%. Frequency response from DC to 100Hz 2dB.

Sensitivity: 0.02 - 0.05 - 0.1 - 0.2 - 0.5 - 1 - 2 - 5 volts/cm
Width of each recording channel: 40mm
Chart drive: 220-250V 50Hz
Chart speeds: 1-2-5-10-50-125-250mm/sec.

- Type H3271-1. Single pen:** Dimensions: 259 x 384 x 165mm Weight 15 kilos **PRICE £265.00**
- Type H327-3. Three pen:** Dimensions: 335 x 384 x 165mm Weight 20 kilos **PRICE £520.00**
- Type H327-5. Five pen:** Dimensions: 425 x 385 x 165mm Weight 25 kilos **PRICE £770.00.**

Note: Prices are exclusive of VAT

Available for immediate delivery

Z & I AERO SERVICES LTD.

44A WESTBOURNE GROVE, LONDON W2 5SF

Tel. 01-727 5641

Telex: 261306

WW-063 FOR FURTHER DETAILS



Eimac
tubes
fly
everywhere



For fast, competitive service, contact:
Bob Bowles, Eimac Division,
Varian AG, P. O. Box, 6300 Zug, Switzerland
Tel. 042 / 31 66 55
Telex 78 789 or 78 841
Sales offices in:
Zug, Switzerland and
Paris, London, Munich, Torino,
Amsterdam, Brussels, Stockholm.



WW-049 FOR FURTHER DETAILS

Join the Digital Revolution

Understand the latest developments in calculators, computers, watches, telephones, television, automotive instrumentation . . .

Each of the 6 volumes of this self-instruction course measures 11 3/4" x 8 1/4" and contains 60 pages packed with information, diagrams and questions designed to lead you step-by-step through number systems and Boolean algebra, to memories, counters and simple arithmetic circuits, and on to a complete understanding of the design and operation of calculators and computers.

Design of Digital Systems.



£7.10

plus 90p packing and surface post anywhere in the world. Overseas customers should send for Proforma invoice. Quantity discounts available on request. VAT zero rated.

Also available — a more elementary course assuming no prior knowledge except simple arithmetic.
Digital Computer Logic and Electronics.

In 4 volumes

1. Basic Computer Logic
2. Logical Circuit Elements
3. Designing Circuits to Carry Out Logical Functions
4. Flipflops and Registers

£4.60

plus 90p P. & P.

Offer Order both courses for the bargain price £11.10 plus 90p P. & P. A saving of £1.50.

**Designer
Manager
Enthusiast
Scientist
Engineer
Student**

These courses were written so that you could teach yourself the theory and application of digital logic. Learning by self instruction has the advantages of being quicker and more thorough than classroom learning. You work at your own speed and must respond by answering questions on each new piece of information before proceeding to the next.

NEW from Cambridge Learning Enterprises:

FLOW CHARTS & ALGORITHMS
use, design & layout; vital for computing, training, wall charts, etc.

£2.95
plus 45p p & p

Guarantee — If you are not entirely satisfied your money will be refunded.

To: Reg. Office: Cambridge Learning Enterprises, Dep COM FREEPOST
Rivemill House, St Ives, Huntingdon, Cambs PE17 4BR
Proprietors: Drayridge Ltd Registered in England No 132876

*Please send me set(s) of Design of Digital Systems at £8 00 each, p & p included

*or set(s) of Digital Computer Logic and Electronics at £5 50 each, p & p included

*or combined set(s) at £12 00 each, p & p included

*or The Algorithms Writer's Guide at £3 40 each, p & p included

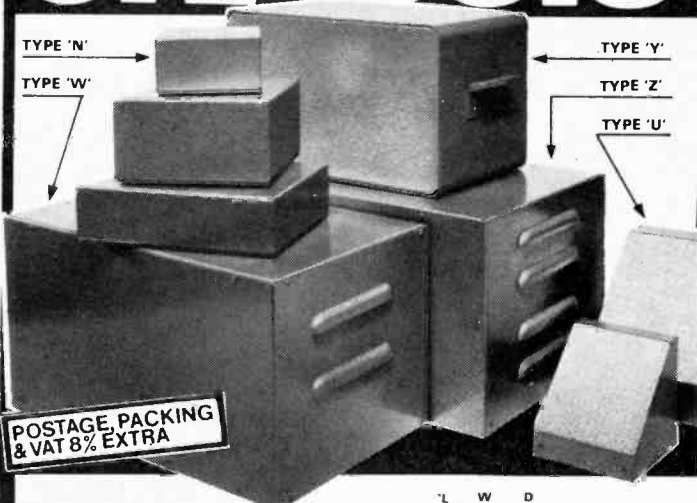
Name

Address

*delete as applicable
No need to use a stamp — just print FREEPOST on the envelope.

WW 12

CHASSIS & CASES



POSTAGE, PACKING & VAT 8% EXTRA

BLANK CHASSIS			
FOUR-SIDED 16 SWG ALUMINIUM			
Size	Price	Base	Price
6" x 4" x 2"	75p	34p	£1.45
7" x 4" x 1 1/2"	70p	37p	£1.50
7" x 5" x 2"	85p	40p	£1.70
8" x 4" x 2"	85p	40p	£1.50
8" x 5 1/2" x 2"	£1.05	53p	£1.65
9" x 7" x 2"	£1.10	59p	£1.80
10" x 4" x 2 1/2"	£1.05	46p	£1.95
12" x 4" x 2 1/2"	£1.15	52p	£2.05
12" x 5" x 3"	£1.45	59p	£2.45

TO FIT OUR CASES			
Size	Price	Base	Price
7" x 5 1/2" x 1 1/2"	80p	45p	£1.35
7" x 5 1/2" x 2"	90p	45p	£1.65
11" x 6 1/2" x 1 1/2"	£1.10	69p	£2.15
11" x 6 1/2" x 2"	£1.25	69p	£2.35

PANELS: Any size up to 3ft. at 86p sq. ft.
16 s.w.g. (18 s.w.g. 58p)

INSTRUMENT CASES

16 S.W.G. ALUMINIUM, SILVER HAMMER FINISH

TYPE 'U'	L	W	D	Price
3" x 3" x 3"	3"	3"	3"	£1.40
4" x 4" x 4"	4"	4"	4"	£1.75
5 1/2" x 4 1/2" x 4 1/2"	5 1/2"	4 1/2"	4 1/2"	£2.20
8" x 6" x 6"	8"	6"	6"	£3.00
9 1/4" x 7 1/2" x 3 1/2"	9 1/4"	7 1/2"	3 1/2"	£3.25
12" x 7" x 7"	12"	7"	7"	£4.20
16" x 10" x 6"	16"	10"	6"	£6.15
15" x 9" x 9"	15"	9"	9"	£6.45

TYPE 'N'	L	W	D	Price
8" x 6" x 6"	8"	6"	6"	£4.20
11 1/2" x 5" x 7"	11 1/2"	5"	7"	£4.70
12" x 7" x 7"	12"	7"	7"	£5.40
15" x 9" x 8"	15"	9"	8"	£7.45

TYPE 'Y'	L	W	D	Price
8" x 6" x 6"	8"	6"	6"	£4.65
12" x 7" x 7"	12"	7"	7"	£5.95
13" x 7" x 9"	13"	7"	9"	£6.90
15" x 9" x 7"	15"	9"	7"	£7.40

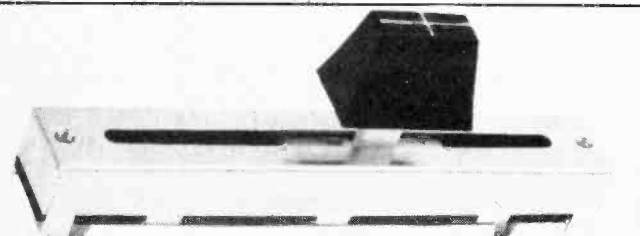
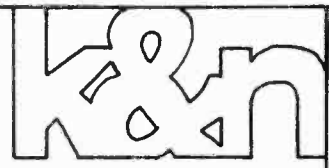
TYPE 'Z'	L	W	D	Price
17" x 10" x 9"	17"	10"	9"	£8.80
19" x 10" x 8 1/2"	19"	10"	8 1/2"	£9.25

CHASSIS WITH BASE (PLAIN ALUMINIUM)			
5" x 4" x 2 1/2"	£1.10	(16 s.w.g.)	
3" x 2" x 1 1/2"	55p	(18 s.w.g.)	
4" x 2 1/4" x 2 1/4"	65p	(18 s.w.g.)	
4 1/2" x 3" x 2"	75p	(18 s.w.g.)	
3 1/2" x 3 1/2" x 2 1/2"	75p	(18 s.w.g.)	
3 1/2" x 3 1/2" x 2 1/2"	80p	(18 s.w.g.)	
6 1/2" x 2 1/2" x 1 1/2"	80p	(18 s.w.g.)	

H.L. SMITH & CO. LTD.
 287-289 EDGWARE ROAD, LONDON W2 1BE
 TELEPHONE: 01-723 5891

WW-016 FOR FURTHER DETAILS

K & N Electronics Ltd.
 Cordwallis Street
 Maidenhead Berks.
 Tel; 0628 22447/9
 Telex 847692



The RIVLIN slide potentiometer type CS 60 incorporates a carbon track with an electrically screened metal case which presents an extremely smooth mechanical action combined with a low level of electrical noise.

Specification
 60mm single track. Range 1, 5, 10, 25, 50, 100 and 500K. Log and linear mechanical travel 60mm ± 0.40mm, effective travel 55mm, fixing holes 2+m3 on 80mm centres.

RIVLIN also produce the above components for twin track and quad applications. Complimenting this range is the WS wire wound slide potentiometers, available in 70, 100 and 150mm. Values from 1 to 100K.

WW-040 FOR FURTHER DETAILS

Keep your tools handy in case...



With JENSEN
 special quality industrial tool kits and cases

Send now for details of the superb Jensen range of tools, meters and accessory equipment, all in the most handy and robust cases - also available separately. Jensen products are specifically designed for industrial use, perfect for all engineers, technicians, electricians, instrument repairmen etc. Choice of more than twenty kits and cases.

Write for free Jensen catalogue to:
SPECIAL PRODUCTS DISTRIBUTORS LTD,
 81 Piccadilly, London W1V 0HL. Tel: 01-629 9556. Cables: Speciproduct London W1.

WW-085 FOR FURTHER DETAILS

The most economical, compact and convenient breadboards on the market!

They are the PROTO-BOARD® PB-6 and PB-100 solderless breadboard kits.

Buy them, and you are only minutes away from the first circuit.

Contacts are made from non-corrosive nickel-silver alloy, and are reliable for more than 10,000 insertions.

Contact resistance is a mere 0.4 mΩ, insertion force is typically 3ozs per lead, and interterminal capacitance is typically less than 5 pF.

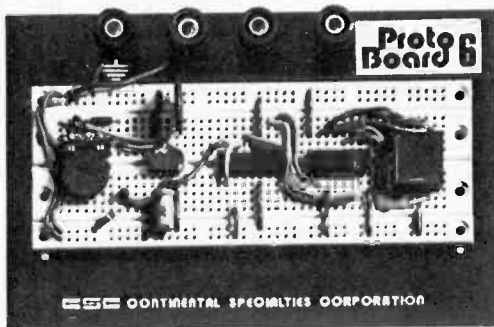
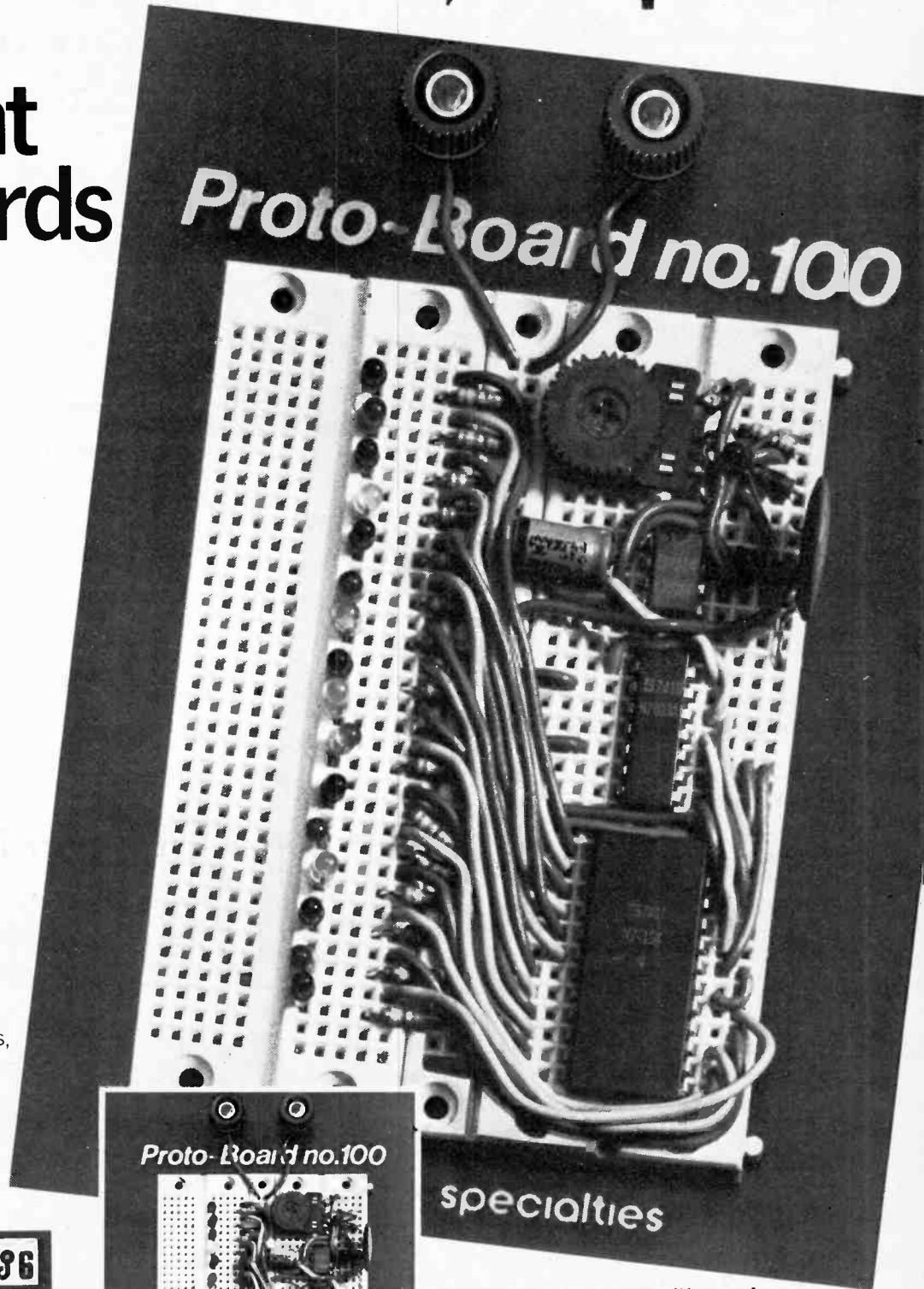
The kits are a must for experimental and development work in digital, audio, RF, video and beyond.

Resistors, capacitors, transistors, DIP's, LED's, transformers, pots, jumpers and any other component with leads between 0.015" and 0.032" will fit the contacts.

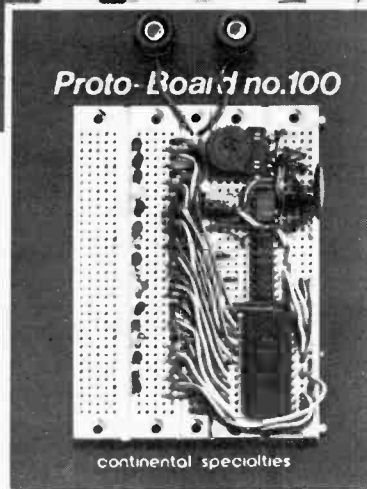
You can run circuits well beyond the recommended ambient operating temperature (100°C) if you wish, because the plastic used in the PROTO-BOARD is rated to over 200°C.

The kits come complete with instruction manual, assembly hardware, binding posts, non-scratch feet and the appropriate number of preassembled sockets and bus strips.

The sooner you order, the sooner you'll have that first circuit operating.



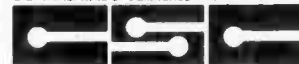
THE PB-6 630 SOLDERLESS CONTACTS. TAKES UP TO SIX 14-PIN DIP'S, OR EQUIVALENT IN LARGER AND SMALLER IC'S. FOUR 5-WAY BINDING POSTS. 6" x 4". ONLY COSTS £10.47.



THE PB-100 760 SOLDERLESS CONTACTS. TAKES UP TO TEN 14-PIN DIP'S, OR EQUIVALENT IN LARGER AND SMALLER IC'S. TWO 5-WAY BINDING POSTS. 6" x 4.5". ONLY COSTS £13.50.

Ring us (01-890 0782) with your Access, Barclaycard or American Express number and your order will be in the post that night. Alternatively, send a cheque, or postal order (don't send credit cards!) and it still only takes a few days. Otherwise ask for our complete catalogue. Our prices include VAT (8%) and postage. All prices and specifications correct at the time of going to press.

CONTINENTAL SPECIALTIES CORPORATION



The Quickest, Simplest Way of Punching Holes in Sheet Metal

Q-Max punches make clean, accurate holes every time. In no time. With no filing, no jagged edges, virtually no burrs—with no hard work. And no holes are barred. Round or square, Q-Max punches are available in sizes down to 10mm up to 75mm for use on sheet metal up to 16 gauge. No wonder they're used by all government services (Atomic, Military, Naval, Air, GPO, Ministry of Works) and all over the world by radio, motor and industrial manufacturers, plumbing and sheet metal trades and garages.

57 metric and linear sizes



Wholesale and Export enquiries welcomed. Further details from:

"Q-MAX" (ELECTRONICS) LTD

40-41 FURNIVAL STREET, LONDON EC4 - 01-242 7400

WW-080-FOR FURTHER DETAILS

INTERPROJECTS LTD *Technical Services*

Sponsored by IPC Magazine
PRACTICAL ELECTRONICS
are organising a **TWO-DAY COURSE** on

SYSTEM DESIGN WITH MICROPROCESSORS

Conducted by Prof. D. Zissos, University of Calgary
JANUARY 6 & 7, 1978

at the Institution of Electrical Engineers
Savoy Place, London W.C.2

Prof. C. Turner, Kings College, London will open the proceedings

An intensive two-day course aimed to enable practising engineers, technical managers and hobbyists to design and implement their own microprocessor systems using methods that require no specialist knowhow of electronics or programming other than a basic knowledge of logic.

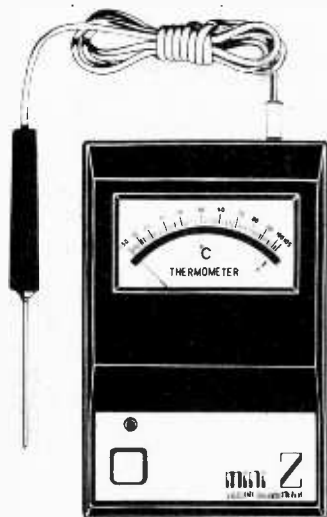
D. Zissos has written numerous books and articles on the subject and he is a practising design consultant known for his pragmatic approach.

Registration Fee: £45 (plus £3.60 VAT) PP, includes a book "Problems and Solutions in Logic Design" by D. Zissos and comprehensive lecture notes.

Applications to:
INTERPROJECTS LTD., 29 Church Street
Edmonton, London N9 9DY. Tel. 01-803 6896

WW-078 FOR FURTHER DETAILS

ELECTRONIC INDUSTRIAL THERMOMETER



THE MODERN WAY TO MEASURE TEMPERATURE

A Thermometer designed to operate as an Electronic Test Meter. Will measure temperature of Air, Metals, Liquids, Machinery, etc., etc. Just plug-in the Probe, and read the temperature on the large open scale meter. Supplied with carrying case. Probe and internal 1 1/2 volt standard size battery.

Model "Mini-Z 1" measures from -40° C to + 70° C. Price £25.00

Model "Mini-Z 2" measures from -5° C to + 105° C Price £25.00

Model "Mini-Z Hi" measures from + 100° C to + 500° C £27.50 (VAT 8% EXTRA)

Write for further details to

HARRIS ELECTRONICS (LONDON)

138 GRAY'S INN ROAD, LONDON, WC1X 8AX

(Phone 01-837 7937)

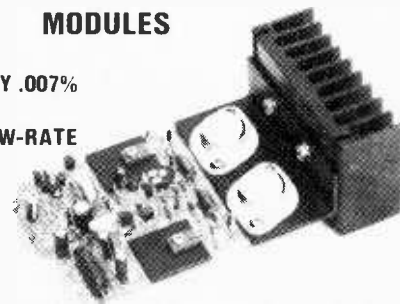
WW-029 FOR FURTHER DETAILS

AUDIBLY SUPERIOR AMPLIFICATION

HIGH DEFINITION — 'MUSICAL' — POWER AMP MODULES

- ★ T.H.D. TYPICALLY .007%
- @ 10W, 500Hz
- ★ ZERO T.I.D. (SLEW-RATE LIMIT 16 V/μS)

Module size: 120 x 80 x 25 mm. using glass fibre pcb with ident and solder resist. Illustrated with light duty heatsink.



CRIMSON ELEKTRIK power amplifier modules are fast gaining a reputation as the best sounding, most musical modules available. Perhaps the most important features of these modules are their total freedom from crossover distortion, due to the use of output triodes and zero T.I.D. The output is a crisp, full range, open and short circuit loads and yet will drive a highly reactive, lower impedance load, which is more representative of a real loudspeaker. Square waves maintain their rise times up to full power whilst simulated electrostatic loads are easily handled, with negligible overshoot and a settling time of 1.7 μS. Other specs: S/N: 110dB Rise time 10 μS Sensitivity 7.75mV DC coupled 50Hz 15kHz 100 Vrms THD: 0.1% 100mW clipping 500Hz

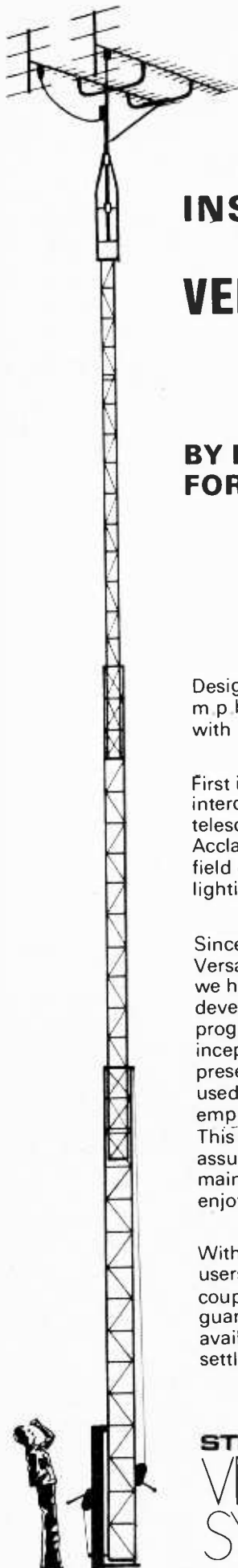
CRIMSON ELEKTRIK power supplies are in kit form for maximum flexibility, and feature a low loss, slimline toroidal transformer with a 120-240v primary and screen, two large electrolytic filter capacitors and all fittings. Heatsinks are attractive black anodised extrusions. Blown with

POWER AMP MODULES	HOME	EUROPE
CE 608 60Wrms 8 ohms 35v dc	£16.30	£16.30
CE 1004 100Wrms 8 ohms 35v dc	£19.22	£19.00
CE 1008 100Wrms 8 ohms 35v dc	£23.22	£22.70
POWER SUPPLIES		
CPS 1 for 2xCE608 or 1xCE1004	£12.85	£14.20
CPS 2 for 2xCE1004 or 2 or 4xCE608	£14.55	£17.90
CPS 3 for 2xCE1008	£15.85	£19.20
HEATSINKS		
Light Duty 50mm 2 C/W	.90	£1.30
High power 100mm 1 4 C/W	£1.60	£2.40
Disc/group 150mm 1 1 C/W	£2.30	£3.65

CRIMSON ELEKTRIK (WW)
74 STATION ROAD
RATBY
LEICESTER, LE6 0JN
TEL: (0533) 386211

Home prices include VAT and carriage. Payment by cheque, PO, C.O.D. (up to £100 limit). Export prices include European prices and carriage, customs and landing payment in Sterling by bank draft, PO International Courier Money Order. Outside Europe, please write for specific prices by post. Send SAE for two International Reply Coupons for full literature. Taxonomically trade quantity prices on request. Suitable for amplification.

WW-042 FOR FURTHER DETAILS



**INSIST ON
VERSATOWER**

**BY PROFESSIONALS—
FOR PROFESSIONALS**

Designed for Wind Speeds from 85 m.p.h. to 117 m.p.h., conforming with CP3 Chapter V, part II.

First in the field with a fully interchangeable (versatile) telescopic, tilt over, tower system. Acclaimed as the world leader in the field of communications and lighting, both static and mobile.

Since the launching of the Versatower system early in 1968 we have operated a continuous development and applications programme. Consequently from inception right through to the present day, detail design, materials used and production techniques employed are continually updated. This coupled with our quality assurance scheme ensures that we maintain the leader position we enjoy today.

With many thousands of satisfied users throughout the world, coupled with our no nonsense guarantee and immediate spares availability, it makes little sense to settle for an alternative product.

STRUMECH
VERSATOWER
SYSTEM



WW—065 FOR FURTHER DETAILS



**Overload the
Avometer 73
and it'll cost you
this much to
repair it.**

If you accidentally connect the mains to this multi-meter on any range for up to 10 seconds, it'll only cost you the price of a new fuse to repair it. Better than buying a new instrument. Better than the safety hazard of conventional fuse protection without the AVO fail-safe circuit. This improved overload protection is just one of the features which makes the Avometer Model 73 a must for electrical and electronics maintenance work of all descriptions.



- Other features include: ■ Sensitivity of 20,000Ω/VDC
- AC current included in a useful set of ranges
- Tough, resilient case ■ Remarkably low cost.

Get in touch with us today for further details and order from your wholesaler or AVO Distributor.



Avo Limited,
Archcliffe Road, Dover, Kent, CT17 9EN.
Telephone: (0304) 202620.

Thorn Measurement and Components Division

WW—053 FOR FURTHER DETAILS

PROTECTION FOR YOUR TAPES!

R.B. ANNIS HAN-D-KITS NOW AVAILABLE IN EUROPE!

Valuable audio and video tapes can be damaged when played on equipment that is not thoroughly and regularly demagnetized. Magnetism can easily build up in capstans, tape guides or recorder heads to a point where it will degrade the magnetically recorded signal on tapes passing over them. Tape damage is first apparent as a loss of recorded high frequencies and a progressive increase in background noise each time they are played on magnetized equipment.

Until recently, there has been no easy way to tell when demagnetizing was needed, and most

Demagnetizers on the market were far too weak to be effective, particularly on offending hardened steel guides or capstans, etc. Now, with the introduction of the Audiophile Hand-D-Kit, both measurement and correction problems can be solved easily at modest cost.

Here in one convenient package is everything needed to measure magnetic levels quickly, along with a handy, powerful unit to demagnetize components completely before they can spoil valuable tapes.



Photo shows extra long probe — and standard Han-D-Mag. Both so powerful that they can be used for occasional bulk erasing of cassettes and 1/4" tapes.

HERE'S WHAT THE AUDIOPHILE HAN-D-KIT CONTAINS

ANNIS POCKET MAGNETOMETER
Measures level of magnetism in components
Calibrated to read directly in gauss
Model 20/B5 shown

TEST STRIPS
One of these sensor strips is magnetically soft and the other magnetically hard. For experiments and testing your demagnetizing technique.

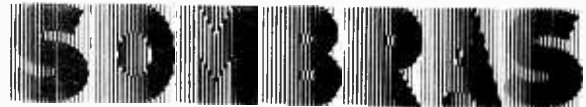
CLIP-ON EXTENSION PROBE
Extension probe is 1 3/4" long. Can be formed with fingers. Improves checking of magnetism in hard to reach components



"NOTES ON DEMAGNETIZING" ETC.
Explains causes of magnetism with particular reference to tape recorders. How to measure it accurately and how to eliminate it.
Interesting experiments also included

ANNIS AUDIOPHILE HAN-D-MAG
A rugged dual-use Demagnetizer having a powerful, sine wave demagnetizing field strength of over 350 oersted 1/4" beyond the tip of the 2 1/4" long probe

DISTRIBUTOR FOR EUROPE



audio system, sweden

FAK, S-132 02 SALTSJÖ-BOO, SWEDEN

WANT TO KNOW MORE?
WRITE FOR YOUR FREE COPY OF OUR 8-PAGED BROCHURE INCLUDING "NOTES ON DEMAGNETIZING"

WW-037 FOR FURTHER DETAILS

**QUARTZ
CRYSTALS
- FAST!**

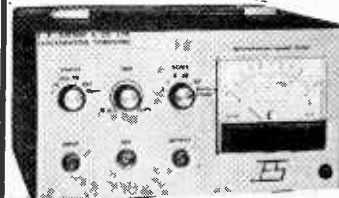


AEL

AEL CRYSTALS LIMITED
Gatwick House, Horley, Surrey, England RH6 9SU
Telephone: Horley (02934) 5353 Telex: 87116 (Aerocon Horley)
Cable: Aerocon Telex Horley

WW-033 FOR FURTHER DETAILS

J E S AUDIO INSTRUMENTATION



Illustrated the Si 451 Millivoltmeter — pk-pk or RMS calibration with variable control for relative measurements.
50 calibrated ranges
£60.00

Si452 £48.00
Distortion Measuring Unit
15 Hz — 20 KHz — .01%

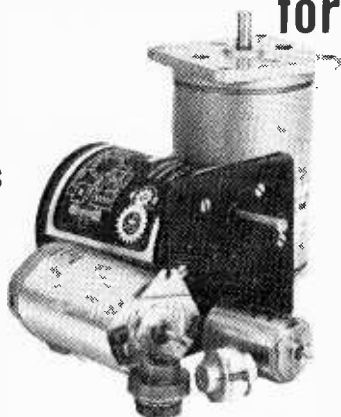
Si453 £60.00
Low distortion Oscillator, Sine
— Square — RIAA

PRICES plus VAT

J. E. SUGDEN & CO. LTD. Tel. Cleckheaton (0274) 872501
CARR STREET, CLECKHEATON, W. YORKS BD19 5LA

WW-034 FOR FURTHER DETAILS

servos
synchronous
steppers
d.c. motors
control systems
gearboxes
friction
clutches
instrument
couplings



for a technical advisory service and off the shelf delivery, contact

McLennan

telephone 03446 5757/8

MOTOR STOCKISTS FOR:
IMPEX, PORTESCAP
PRINTED MOTORS



McLENNAN SERVO SUPPLIES LTD.
KINGS ROAD, CROWTHORNE, BERKS.

WW-051 FOR FURTHER DETAILS

F.M. TUNERS, MODULES & KITS by

Icon Design



T2 TOUCH TUNED	Tuner	£121.00
T3 DIGITAL (AS SHOWN)		£149.00

	Kit	£109.00
		£139.00

This tuner must surely provide the best value for money available today. Combining the best of the modules shown below, it includes a full digital readout of frequency to a resolution of 0.1 MHz, so that exact station identification can be made. In addition, six pre-set stations may be selected by touch controls having internal solid state lamps, while manual tuning allows easy searching for distant stations under the guidance of the digital meter.

A switchable mute system allows reception of the weakest stations while muting inter-station noise and spurious responses. Perfect reception is assured by not permitting any station to be heard which is far enough out of tune to cause distortion. The tuning indicator lamp provides a means of very fine tuning, and is automatically extinguished between stations.

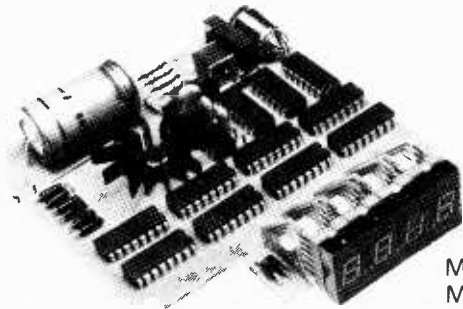
A powerful A.F.C. system is also incorporated which holds all stations in tune, while not preventing manual tuning.

Good stereo reception is assured by the use of a phase locked decoder with full 'birdie' and spurious output filtering.

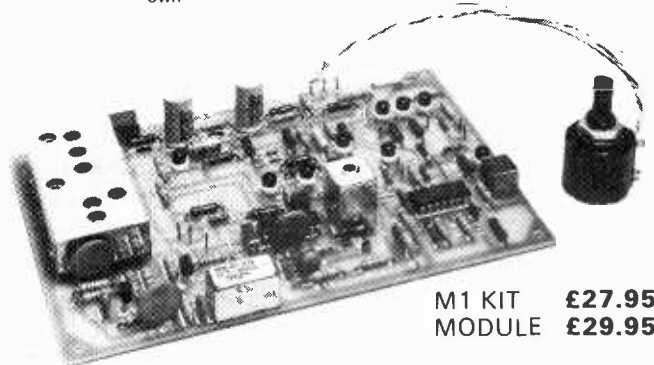
Finally, but not least, the external appearance and styling bring a fresh new look to Hi-Fi. The sturdy wooden cabinet is finished in mat teak veneer, housing an attractive gold and brown anodised aluminium front panel, which carries black controls and inscriptions. The indicator lamps and digital displays are in red, giving the finishing touches to a tuner you will be proud to own

MAIN RECEIVER MODULE M1

We have claimed before that this F.M. system is the most advanced on the market, and after nearly three years we repeat our claim. Some have borrowed ideas, some have not, but no other tuner gives you all the features of this unit. How many tuners mute the spurious tuning effects found at either side of a correctly tuned station? How many tuners fade the sound out as you tune too far off station for good quality sound? How many tuners kill the tuning indicator so that it does not indicate when there is no station there? How many offer you drift free tuning? We could go on. If you want a tuner that has been well thought out and engineered, start with this module.



**M1
MODULE ONLY
£44.40**



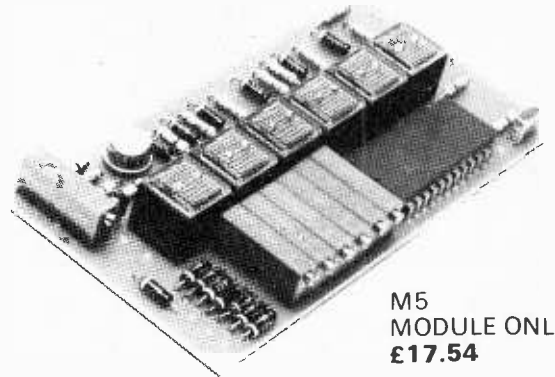
**M1 KIT £27.95
MODULE £29.95**

DIGITAL FREQUENCY METER M6

We are very proud of this one. We don't have to say it's the best, as far as we know it's the only one! On a board less than 4" square is all the electronics of a stable counter with i.f. offset (added) and a stabilized power supply! With the aid of a small daughter board (not shown) which fits neatly into the above module (M1), the exact station frequency is displayed to the nearest 0.1 MHz. It's a tuning scale 20" long with accurate calibrations every 0.1"! You get the transformer, daughter board (ready wired in), polarized filter, and a list of station frequencies. What more do you want?

TOUCH TUNE MODULE M5

This module must put the finishing touches to an outstanding combination. Six pre-set stations at the touch of a button. No moving parts to go wrong, or contacts to get dirty. Internal illumination shows you which button has been touched, while the tuning adjustment is made using high reliability multi-turn cermet pots for repeatable selection of the most used stations, yet retaining the use of separate manual tuning. This module interfaces directly with the M1 above, being wired between the board and the normal manual tuning control. A touch of sheer genius!



**M5
MODULE ONLY
£17.54**

FULL CABINET/METALWORK KIT

(Including all Nuts and Bolts, Plugs and Sockets, etc.)

£28.16

OTHER MODULES etc.

M2 Stereo decoder	£8.36	kit	£6.84
M4 Power supply	£6.93	kit	£6.49
SL1310 decoder IC	£1.95		
TBA750 f.m. i.f.	£1.55		
20v regulator IC	£1.50		
LP1186 front-end	£8.53		
Filter. SFJ10-7MA	£1.55		
7 segment L.E.D. (c/a)	£1.99		
Descriptive booklet	£0.50	(£1.50 export)	



ORDERING INFORMATION

All U.K. orders post free plus 12.5% VAT. Export orders allow extra for postage at cost, no VAT due. credit will be refunded

Payment by sterling cheque on London bank, or credit card, International M.O. etc

Other items and kits available - send for illustrated leaflets - price list and order form, etc. (inc. 50p airmail overseas) from

Icon Design

**33 Restrop View
Purton, WILTS
SN5 9DG**

ALL PRICES + 12.5% VAT, U.K. ONLY

WIRELESS TIME :



approx. 3/4 full size digits shown here

National's MA1012 LED digital clock module is a complete clock & alarm unit, operating from 50 or 60 Hz mains, and offering all the features you would expect: Hours-minutes display in bright 0.5" leds with optional seconds, sleep and snooze alarms, fast and slow setting, AM/PM indicator, switched alarm outputs - but best of all no RFL. Thus the MA1012 is suitable for use in any radio/tuner applications, and requires just 1.75 x 3.75 x 0.7" total. (Ex. transformer). £9.45 per module, isolating mains transformer £1.50 each. (*8% vat) Two modules, and two transformers for £20.00 (+8% vat)

In the latest Ambit catalogue: more TOKO coils, chokes, filters etc., data on the short wave coil sets, a revised price list, micro-microphone inserts, special offer lines etc.

DETECKNOWLEDGEY

Metal locator principles and practise, including some of the facts and information manufacturers of £100+ detectors would rather you didn't know. £1.00 each.

The Bionic Ferret 4000 - a VCO metal locator based on the PW seekit, including all parts, plasticwork, ready wound coil etc. Inc. free copy of detecknowledgedey. £34.26 in pp and VAT at 8%.

Special announcement. The Bionic Radiometer metal locator is at last to be released. A full VLF discriminator, with simultaneous display of ferrous, non-ferrous and foil objects. With a little practise, you can actually find objects obscured by junk. Outperforms units costing £150+. Digital control. Demo available at Brentwood, on sale soon for less than £75.SAE info:

COMPONENTS

Herewith the list of first quality parts and modules for wireless, inc. Europe's largest range of signal coils and inductors. 1/2m in stock!

CA3089E	FM IF	1.94	BC413	lo noise	0.18	MFL 2.4 kHz ssb mech.
KB4402	FM IF	1.94	40238	shld RF	0.25*	filter for ssb gen/IF 455kHz
HA1137W	FM IF	2.20	BF224	6ghz RF	0.22	with matching trans'rs. 9.95
TBA120	FM IF	0.75	BF274	.7ghz RF	0.18	MFH series 4/5/7kHz band-
TBA120S	FM IF	1.00	ZTX212	50v/.3w	0.17	width @ 455kHz
sn76660n	FM IF	0.75	ZTX213	30v/.3w	0.16	MFk series 7/9kHz bw 1.65
ua720	AM rad	1.40	ZTX214	30v/.3w	0.17	Modules/tunerheads etc.
CA3123E	AM rad	1.40	ZTX451	60v/1w	0.18	EC3302 3cct v/cap fm 7.50
HA1197	AM rad	1.40	ZT5551	60v/1w	0.18	EF5600 5cct v/cap fm 12.95
TBA651	AM rad	1.81	BD515	45v/10w	0.27	EF5800 6cct v/cap fm 15.25
MC1350	agc gain	1.00	BD516	45v/10w	0.30	EF5801(5800+osc op) 17.45
ua753	fm gain	1.80	BD535	60v/50w	0.52	8319 4 v/c, mos mixer 11.45
LM1496	Bal mix	1.25	BD536	60v/50w	0.53	7252 complete fm mono
MC1310P	mpx dec	2.20	BD609	80v/90w	0.70	tunerset.afc,agc,mute 26.50
KB4400	as above	2.20	BD610	80v/90w	1.20	7253 complete fm stereo
ca3090aq	mpx dec	4.35	BF256	1ghz fet	0.34	tunerset. afc, agc, mute 26.50
HA1196	mpx dec	4.20	E176	p ch swt	0.38	7020 10.7MHz fm if 6.95
LM380	2w AF	1.00	MEM614	(40822)	0.38*	7030 linear phase fm if 10.95
LM381	preamp	1.81	MEM616	(40673)	0.67*	93090 ca3090aq dec 8.36
tda2020	15w AF	2.99	MEM680	lo noise	0.75*	92310 1310 decoder 6.95
cca940E	10w AF	1.80	BA102	vhf varic	0.30	91196 ha1196 decoder 12.99
tba810as	7w AF	1.08	BA121	vhf varic	0.30	91197 mw/lw v/cap tun.11.35
LM3011an	op amp	0.39*	BB104	dual var.	0.45	7122 3 v/c mw(OR lw) tuner
ua741	op amp	0.34*	BB105	uhf varic	0.40	KIT 15v tuning: 9.00
LM3900	op amp	0.68*	mvam2	dual AM	1.48	810k 7w af kit comp. £3
7805uc	5v/1amp	1.55*	mvam115	15v/AM	1.05	940k 10w af kit 3.95
tda1412	12v/1/2A	0.95*	mvam125	25v/AM	0.90	tda2020k pr. tda2020 ics,
78M20	20v/1/2A	1.20*	TOKO Coils & Filters			pcb, heatsinks for pa 9.35
78M24	24v/1/2A	1.20*	as above	0.80*	10mm & 7mm (rad cont)	All mpx decoders feature
ua723cn	variable	0.80*	32v ref	0.50*	AM IFts with cap 0.30	TOKO pilot tone filters.
NE550a	sig gen	4.50*	ic18038cc	timer	0.70*	Tuners: complete
taa550b	vco	2.50*	NE555v	tone dc	2.50*	Larsholt signalmaster Mk 8
ic18038cc	timer	0.70*	NE566v	hf pll	3.50*	Best fm tuner kit under £100
NE555v	tone dc	2.50*	NE567v	hf pll	3.50*	Looks as good as it sounds.
NE566v	hf pll	3.50*	NE560b	hf pll	3.50*	Full instructions 86.95
NE567v	hf pll	3.50*	NE561B	hf pll	3.50*	Audiomaster amp. Matching
NE560b	hf pll	3.50*	NE565K	quad	1.50	25+25w rms amp. 79.00
NE561B	hf pll	3.50*	MC1312	650mhz	14.00*	carriage on above £3 extra ea.
NE565K	quad	1.50	11C90	50v/.3w	0.14	Misc.
MC1312	650mhz	14.00*	ZTX107	30v/.3w	0.14	FX1115 beads 100.25
11C90	50v/.3w	0.14	ZTX108	30v/.3w	0.14	MW/LW ferrite rod ant 0.90
ZTX107	30v/.3w	0.14	ZTX109	30v/.3w	0.14	min. foil trimmers (see pl)
ZTX108	30v/.3w	0.14				22t 100k pots for tuning.45
ZTX109	30v/.3w	0.14				RFchokes: 1uH to 120mH

VAT is extra at 12 1/2%, except where otherwise shown (*8%). PP now 25p per order. Catalogue 45p (inc). Pse send A5 or larger SAE with enquiries. Price lists free with an SAE. Full range of components etc available to callers at our new easy-to-get-to premises.

ambit INTERNATIONAL

Number 2, Gresham Road, Brentwood, Essex. CM14 4HN
 telephone (0277) 216029
 Our new premises are only 200 yards from Brentwood station - with parking facilities outside the door !! *

WW-021 FOR FURTHER DETAILS



NEW FACILITIES AVAILABLE FOR WW TELETEXT DECODER

'Board 3' is now available as an additional unit to update the 'Wireless World' Teletext Decoder to give double height characters, colour background, conceal/reveal, etc., as described in this issue of 'Wireless World'. Our Kit includes plated-through hole P.C.B., all components and installation instructions. Price £33.68 + VAT (£3.47) + P&P (30p) = £37.45 total.

Our main kits contain all the printed circuit boards and components necessary to build the complete decoder

A reprint of the series of articles is available at £1.50 + large 15p SAE (included free in complete kit).

PRICES INCLUDE VAT

Set of 5 PCBs	Standard version using 2513	New version with Texas X887	Post & Packing 30p
Component Kit (incl. PCBs)	£21.70	£21.65	£1.50
Add-on Unit for lower case PCB	£120.95	£133.70	—
Component Kit (incl. PCB)	£2.70	—	—
Cabinet	£14.85	£14.85	£1.00

PLATED THROUGH hole PCBs for TEXAS version only at additional cost of £27.00

COMPONENTS ALSO AVAILABLE SEPARATELY - SAE for price list

READY BUILT & TESTED DECODERS - £241.87 + £5 Carr.

DE LUXE VERSION WITH NEW FACILITIES - £292.50 + £5 Carr.

WW MATRIX H DECODER

Based on the design for a MATRIX H DECODER published in June issue of Wireless World, with subsequent corrections, this Catronics Decoder is now generally available from stock in two versions:

Kit: comprising P.C.B.s, i.c. and all components to mount on the boards at £39.30. Ready built: housed in attractive cabinet with integral power supply and STEREO/QUAD switching at £89.37

These prices include Sansui Royalty Fee, VAT and P&P.



Manufactured and guaranteed by Catronics Ltd

Price only £137.50 + £1.50 carriage + 8% VAT

Write for illustrated leaflet.

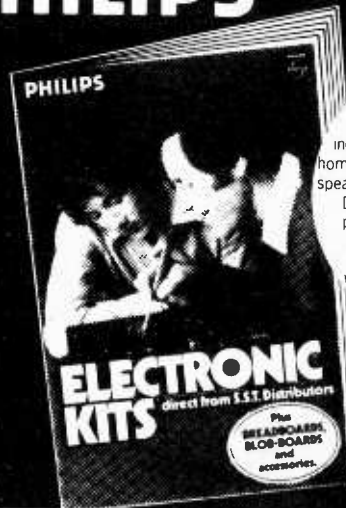
VHF FREQUENCY COUNTERS

200MHz, 7 digit, D.F.M. for direct readings up to the mobile radio VHF High Band Will operate on mains or 12V supply, making it ideal for use with mobile equipment.

CATRONICS LTD. (Dept. 722) Communications House 20 WALLINGTON SQUARE WALLINGTON, SURREY Tel: 01-669 6700

WW-722 FOR FURTHER DETAILS

PHILIPS



NEW!

The latest catalogue from S.S.T includes even more Philips electronic home assembly kits - mixers, amplifiers, speakers, etc. etc Plus P.B. Electronics Dec and Blob-Boards for circuit proving and construction. Send today to: S.S.T. Distributors (Electronic Components) Ltd., West Road, Tottenham, London, N17 0RN

free SEND TODAY!

Please send me, quickly, the new S.S.T. Catalogue.

S.S.T. Distributors is a member of the Philips Group of Companies.

Name _____

Address _____

Postcode _____

WW/A/12/77

Instant LCR Answers



Wayne Kerr's new component meter

The B424 is a simple-to-operate, low-cost meter that gives accurate component measurements over an extremely wide range. It will verify claimed values and tolerances almost as quickly as components can be connected.

It is particularly suitable for batch-testing at Goods Inwards, and for individual component checking at Inspection or in laboratories.

Readout on the LCD display is within an accuracy of $0.25\% \pm 1$ digit on all ranges.

Advanced features include fully automatic adjustment of test signal level and frequency, so the operator doesn't have to calculate and reset for each type of measurement.

Full information is available from:
Wilmot Breeden Electronics Limited,
442 Bath Road, Slough, SL1 6BB England.
Tel: Burnham (06286) 62511
Telex: 847297

 **Wayne Kerr**

Key features of the B424 include:

- Measurement from 0 to 20 megohms, 20 millifarads and 2000 henrys.
- Input protection against charged capacitors.
- Battery/mains operation.
- Low-level test signals to protect components.
- Analog and digital outputs for ancillary equipment (such as Limits Unit at Goods Inwards).
- Continuous up-dating of display for changing values.

Please send me full information on the B424 component meter.
ww 12/77

Name _____

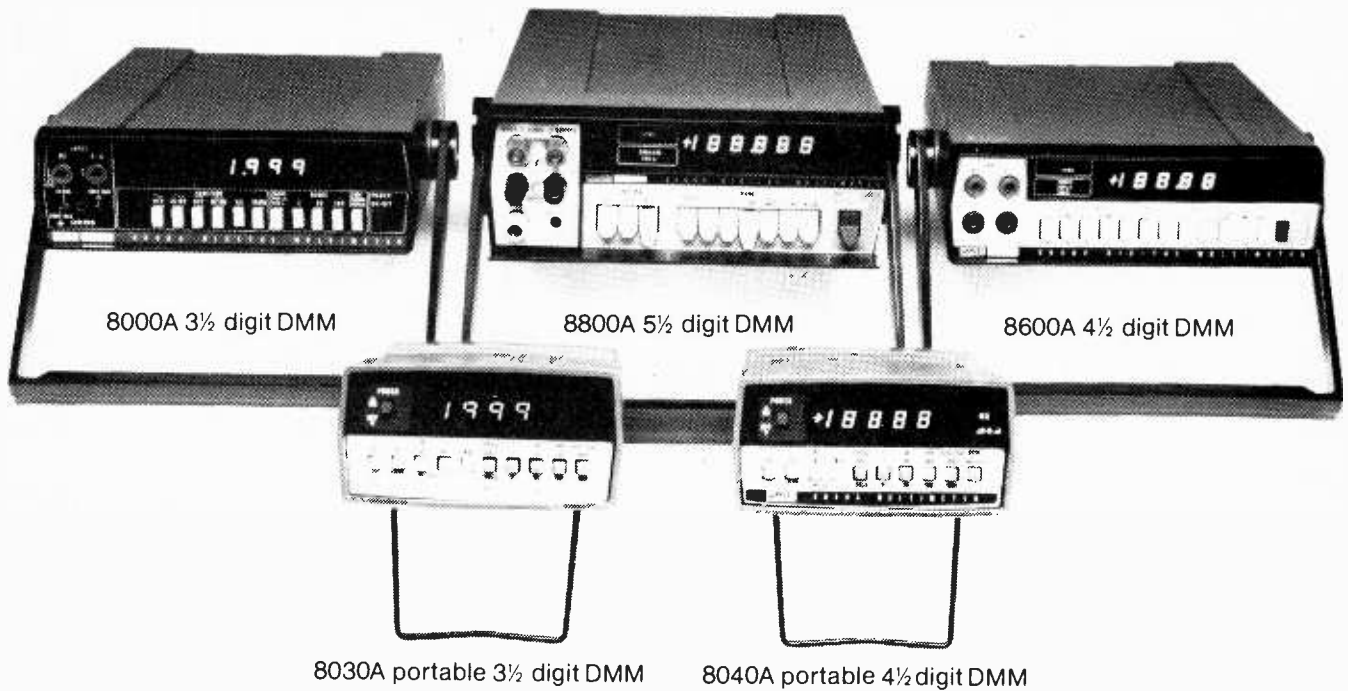
Company _____

Address _____

Tel _____

Wilmot Breeden Electronics Limited, 442 Bath Road, Slough, SL1 6BB

WW-047 FOR FURTHER DETAILS



Lots of people think ITT are the only people selling Fluke DMM's



And we've got the new 8020A portable, 3 1/2 digit DMM.

It's true in one sense – ITT are the sole UK stocking distributors for the range of Fluke DMM's. But of course, as the world's leading DMM's, Fluke really sell themselves. What we do is back them up with a streamlined, thoroughly dependable and quick-off-the-mark service that's as much a No. 1 in its field as Fluke are in their's.

Write or phone for more details.
Edinburgh Way, Harlow, Essex. Telex: 81525

ITT instrument services

**The only way to buy.
Harlow (0279) 29522.**

wireless world

Frequencies, technology and society

Editor:
TOM IVALL, M.I.E.R.E.

Deputy Editor:
PHILIP DARRINGTON
Phone 01-261 8435

Technical Editor:
GEOFFREY SHORTER, B.Sc.
Phone 01-261 8443

Projects Editor:
MIKE SAGIN
Phone: 01-261 8429

Communications Editor:
RAY ASHMORE, B.Sc., G8KYY
Phone 01-261 8043

News Editor:
JOHN DWYER
Phone 01-261 8620

Production:
D. R. BRAY

Advertisement Controller:
G. BENTON ROWELL

Advertisements:
Phone 01-261 8622

LEO KEMBERY
Phone 01-261 8515

CHRIS PRIER
Phone 01-261 8037

Classified Manager
BRIAN DURRANT
Phone 01-261 8508 or 01-261 8423

EDDIE FARRELL (*Classified Advertisements*)
Phone 01-261 8508

JOHN GIBBON (*Make-up and copy*)
Phone 01-261 8353

Publishing Director:
GORDON HENDERSON

To judge from all the preliminary discussions about WARC 1979 one would think that radio systems began and ended with frequency space. Of course, when there's a shortage of it the various users making their claims and counter-claims become preoccupied with the subject and develop an almost pathological concern for spectral *lebensraum*. But if we are going to need more communication, broadcasting and other radio systems in the future we can't afford to ignore the other, equally important, dimensions of a communication channel: space, time and signal-to-noise ratio. And to make use of these, our traditional thinking and methods of transmission and reception will have to be supplemented by fresh ideas and new technology.

By "space" is meant simply the physical volume occupied by a radio transmission. If you physically confine transmissions you can have many using the same frequencies without interference. Furthermore, signals can be kept within coaxial cables, waveguides, leaky feeders and optical fibres, and it makes sense to use such methods when transmitters and receivers are fixed. There are people, for example, who maintain that broadcasting is a misuse of the radio spectrum because the transmitters and many receivers can be connected by cables. The dimension of time can be used in a variety of ways. For example, where pauses occur in a message, as between spoken phrases, the gaps can be occupied by portions of other messages automatically switched into them. Redundancy in certain signals can be used to reduce the maximum information rate and hence the bandwidth required. Television broadcasting is a notorious consumer of time and bandwidth. Since many tv programmes are little more than homogenised pap dished out of cans, why not send them out at night, to be recorded on video tape machines fitted in receivers, so that the spectrum space could be used by other services during

the day? Signal-to-noise ratio can be "traded" by modulation and encoding methods so that channels are utilized more efficiently. Spread spectrum techniques are one possibility and more attention could be given to determining human tolerance to noise-type background interference from pseudo-randomized signals as against background interference from intelligible signals.

But all this assumes a continuation of present trends in society. A fundamental question affecting all communication technology is what will happen in the future. Can the present process of industrialization and economic growth continue indefinitely in a finite environment, or shall we be forced into a state of "global equilibrium" at a lower level of activity as predicted by the famous MIT study "The Limits to Growth"? The well-known economist the late Dr E. F. Schumacher thought that our present system could collapse as a result of three impending crises: a revulsion of human nature against "1984" technological, organizational and political patterns; a breakdown of the living environment which supports human life; and exhaustion of the world's non-renewable resources, in particular, the fossil fuels. Energy, on which depends all industrialization and economic growth, could indeed be a decisive factor. Ichiro Miura, the director of communications policy in Japan's ministry of posts and telecommunications, thinks that because of this the widely predicted "information-oriented society" will not in fact succeed industrial society and that we may well revert to the "resources society" which preceded industrialization (*Telecommunication Journal*, September 1977).

If the natural limits of the environment do restrict economic growth and as a result the structure of society is modified, then obviously the requirements for electrical communication – both in amount and pattern – will be greatly changed.

Teletext decoder modifications

New circuits to take advantage of the latest facilities

by Richard T. Russell

Since the original articles on the *Wireless World* Teletext decoder appeared (November 1975 to June 1976 issues), a new teletext specification has been published¹ which describes a number of extra facilities and allocates some of the hitherto unused control characters for use with four new display modes. These are: graphics hold, double height, separated graphics and background colour, and were described in the February 1977 issue of *Wireless World*, p. 61. These new facilities are intended to enhance the appearance of teletext pages and remove some of the limitations imposed by the original specification. The photographs show typical examples of their use.

Another facility not provided by the original design, although present in an earlier specification and used by both Ceefax and Oracle, is the "concealed-display" mode. This allows, by the action of a control character, selected characters to be displayed as spaces until "revealed" by the viewer, and is useful in a question and answer situation. All these new facilities are provided by the additional circuitry to be described.

At the time of writing, Oracle (the IBA's teletext service) makes extensive use of these facilities on test pages with some use on normal information pages, whilst Ceefax (BBC) is just beginning to use some of the new facilities on an experimental basis.

New board

The new circuitry comprises 25 t.t.l. integrated circuits, which decode the appropriate control characters and implement the new display modes. These i.cs have been numbered 101 to 125 to avoid confusion with i.cs 1 to 90 used in the original decoder design. There is sufficient room in a decoder using the cabinet and printed boards described in the original articles to mount an extra board containing the new circuitry, and the number of connexions between this board and the rest of the decoder has been kept to a minimum to simplify installation. In a decoder of this sort, the new board

mounts above digital board 1 in the area between the analogue board and the left-hand end of the cabinet. The new board, which will be referred to as digital board 3, is principally intended to work with a decoder using the 74S262 (X887) character generator r.o.m., which provides the full upper and lower case teletext character set. A small modification will allow the board to be used with a decoder using the 2513 r.o.m., although since it occupies the area used by the add-on lower-case board, an alternative location for this will have to be found if the new board is to be fitted into a decoder of this sort.

Most of the connexions to the new board are to the existing edge contacts linking digital boards one and two, and therefore installation is particularly simple in a decoder using these boards. The only external modification required

is the provision of a push-button "reveal" switch on the front panel.

Control codes

The latest list of control characters, showing their binary equivalents, is given in Fig. 1. The control codes which are detected and implemented by digital board 3 are shown in capitals. There are nine of these in all. Usually these control codes are allocated in pairs, one of each pair to establish the specified mode and the other to end it. The exception is the conceal mode. There is no reveal control character; instead the normal revealed condition is established on the occurrence of any character in the shaded portion of the table (i.e. characters 0/1 to 0/7 and 1/1 to 1/7 inclusive).

A significant point, which has considerable importance in the detail of the circuitry adopted, is that before the advent of graphics hold, all control characters were displayed as spaces. This meant that the transition between two display modes was invisible, and could take place anywhere within the control character rectangle. Now that the control character rectangle may be filled with a "held" graphics character, it is important that a change in display mode (e.g. a colour change) takes place at the boundary of the character rectangle, not part way across the character. Certain of the display modes are said to be "set at" the occurrence of the control character, meaning that the mode changes at the left-hand boundary of the control character rectangle. Others are "set after" the control character, meaning that the mode does not change until the right-hand edge of the character rectangle.

Circuit description

As mentioned, it is required to change certain of the modes at the left-hand edge of the control character rectangle. To achieve this, it is necessary that the data at the output of the page store have been stable for a period sufficient to decode the control character. In the

Fig. 1. Control character codes.

Bits	b ₇	0	0
	b ₆	0	0
	b ₅	0	1
b ₄ b ₃ b ₂ b ₁		0	1
0 0 0 0	0		
0 0 0 1	1	Alpha ⁿ red	Graphics red
0 0 1 0	2	Alpha ⁿ green	Graphics green
0 0 1 1	3	Alpha ⁿ yellow	Graphics yellow
0 1 0 0	4	Alpha ⁿ blue	Graphics blue
0 1 0 1	5	Alpha ⁿ magenta	Graphics magenta
0 1 1 0	6	Alpha ⁿ cyan	Graphics cyan
0 1 1 1	7	Alpha ⁿ white	Graphics white
1 0 0 0	8	Flash	CONCEAL DISPLAY
1 0 0 1	9	Steady	CONTIGUOUS GRAPHICS
1 0 1 0	10	End box	SEPARATED GRAPHICS
1 0 1 1	11	Start box	
1 1 0 0	12	NORMAL HEIGHT	BLACK BACKGROUND
1 1 0 1	13	DOUBLE HEIGHT	NEW BACKGROUND
1 1 1 0	14		HOLD GRAPHICS
1 1 1 1	15		RELEASE GRAPHICS

original design the left-hand edge of the character rectangles corresponded to the point at which the data latches on the outputs of the page store were clocked. This does not provide the necessary period, so with the new board the character rectangle is redefined as being one clock-pulse later than before. Conveniently this means that the rectangle edges correspond to the negative edge of the signal on IC₁, pin 8 (January, 1976 issue), and all mode changes are made synchronous with this edge. For simplicity, the alphanumeric characters are not moved by a corresponding amount, and this means that these characters are displaced slightly to the left with respect to the character rectangles. This is of no consequence, however, as there is still a gap between the character and each edge of the rectangle.

As can be seen from Fig. 1, all the control codes of interest have bits b6 and b7 at logic 0, and bit b4 at logic 1. These bits are gated together by (106,13) and (101,3), and gated additionally with a mixed blanking signal at IC₁₀₁, pin 6, giving a logic 1 at IC₁₀₆, pin 10 for valid control characters (Fig. 2). This leaves bits b1, b2, b3 and b5 to be decoded into a separate signal for each control code.

Examples of the new facilities, obtained using the modified decoder.

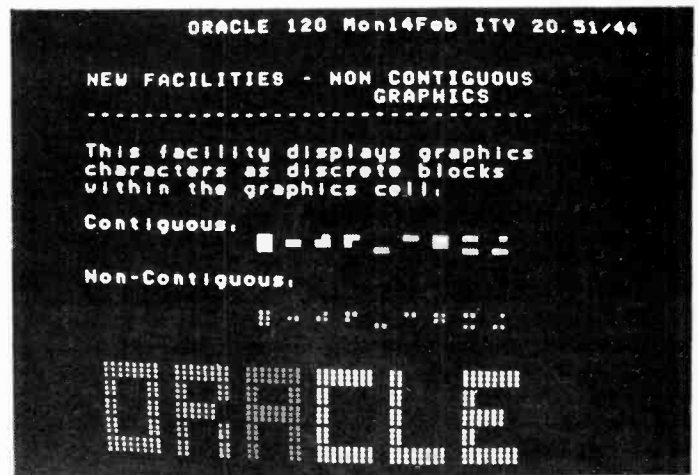
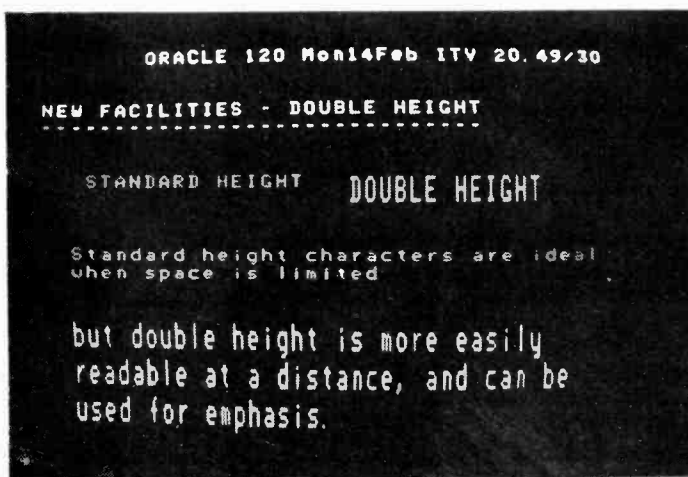
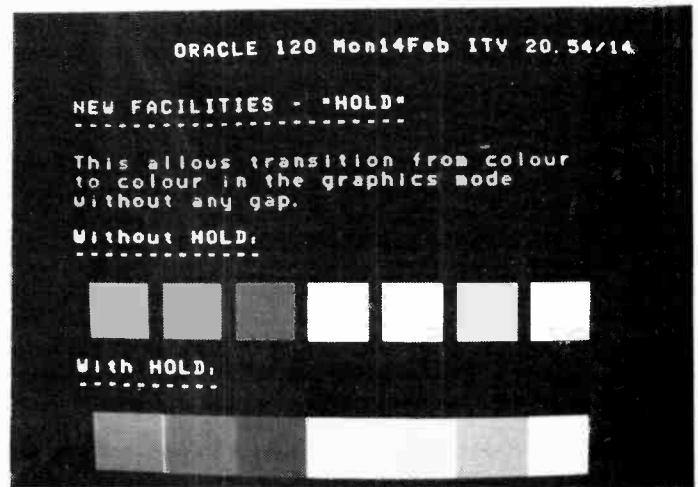
A 4-line-to-16-line decoder could have been used for this purpose but, since only nine of the control codes are of interest a saving can be made by inverting bits b3 and b5 and using a 4-line-to-10-line decoder IC₁₁₃, (7442). Bits b3 and b5 are inverted so that the inputs to IC₁₁₃ corresponding to the wanted control codes are in the range 0000 to 1001 (0 to 9). Binary inputs in the range 1010 to 1111 result in none of the outputs being enabled.

As explained, the display modes must change at the edge of the display rectangle. This is achieved by feeding the inputs to IC₁₁₃ from a D-type latch IC₁₁₂, clocked by the signal from IC₁, pin 8 inverted in (118,8). Bits b1 and b2 are fed directly to the inputs of this latch from the page store output latch IC₂₈ on digital board 1 (February 1976 issue). Bits b3 and b5 are fed to IC₁₁₂ via NAND gates (101,8) and (101,11) which perform the dual function of inverting them, and gating them with the valid character signal at IC₁₀₆, pin 10. If this signal is at logic 0 (i.e. "invalid") pins 12 and 13 of IC₁₁₃ are clocked to a logic 1, thereby disabling all its outputs.

There remains the reveal signal to be generated, which as mentioned corresponds to codes 0/1 to 0/7 and 1/1 to 1/7 inclusive. Gates (106,1), (118,2), (111,3), (116,11) and (116,8) provide this signal, which is synchronised with the character rectangles by D-type latch (117,15).

Graphics generator. A completely new graphics generator is included on board 3, the original on digital board 2 being made redundant. The reason for this is twofold. Firstly, the necessity to provide the held graphics function means that the graphics character has to be stored in a latch so it can replace a control character when required. Secondly, the separated (or "non-contiguous") graphics facility requires a more complex graphics generator. To have incorporated the original graphics generator circuit would have entailed an excessive number of interconnexions.

The graphics generator operates as follows. The six-bit latch IC₁₀₂ contains the held graphics character. This is defined as the last character having bit b6 at logic 1, so the clock (pin 9) is gated with b6 in (116,3). This latch also synchronizes the graphics character with the character rectangle. Data selector IC₁₀₇ selects either bits b1, b3, b5 or bits b2, b4, b7 according to the state of pin 1, which is a logic 0 for the left-hand half of the character and a logic 1 for the right-hand half. On the outputs of IC₁₀₇, therefore, are the three bits corresponding to the three vertical cells in that part of the graphics character (Fig. 3). IC₁₀₄ is a 16-line to 4-line data selector (multiplexer), the address inputs of which (pins 11 to 15) are driven from a vertical (line) address which runs from 15 at the top of the



character rectangle, through 0, to 8 at the bottom (10 lines in all, or 20 counting both fields). This is the same address which feeds the character generator r.o.m. on digital board 2. Assuming IC₁₂₁, pin 9 is at logic 1, the gates in IC₁₀₉ act simply as non-inverting buffers. The inputs to IC₁₀₄ are connected to the appropriate outputs of IC₁₀₇ to give the correct allocation of lines to the three graphics cells - 3 to the top cell, 4 to the middle cell and 3 to the bottom cell. This symmetrical arrangement gives a slightly better appearance than the 4-3-3 scheme adopted in the original decoder.

The decoded control signals for contiguous and separated graphics at

the outputs of IC₁₁₃ are fed to a latch comprising (120,8) and (119,8). This latch is additionally set to the contiguous condition by the inverted mixed blanking signal at IC₁₂₄, pin 8 as all rows start in the contiguous state. The specification states that the contiguous/separated graphics mode shall be part of the structure of the held graphics character, so the contiguous/separated signal is fed to D-type flip-flop IC₁₂₁, clocked by the signal at IC₁₀₂, pin 9.

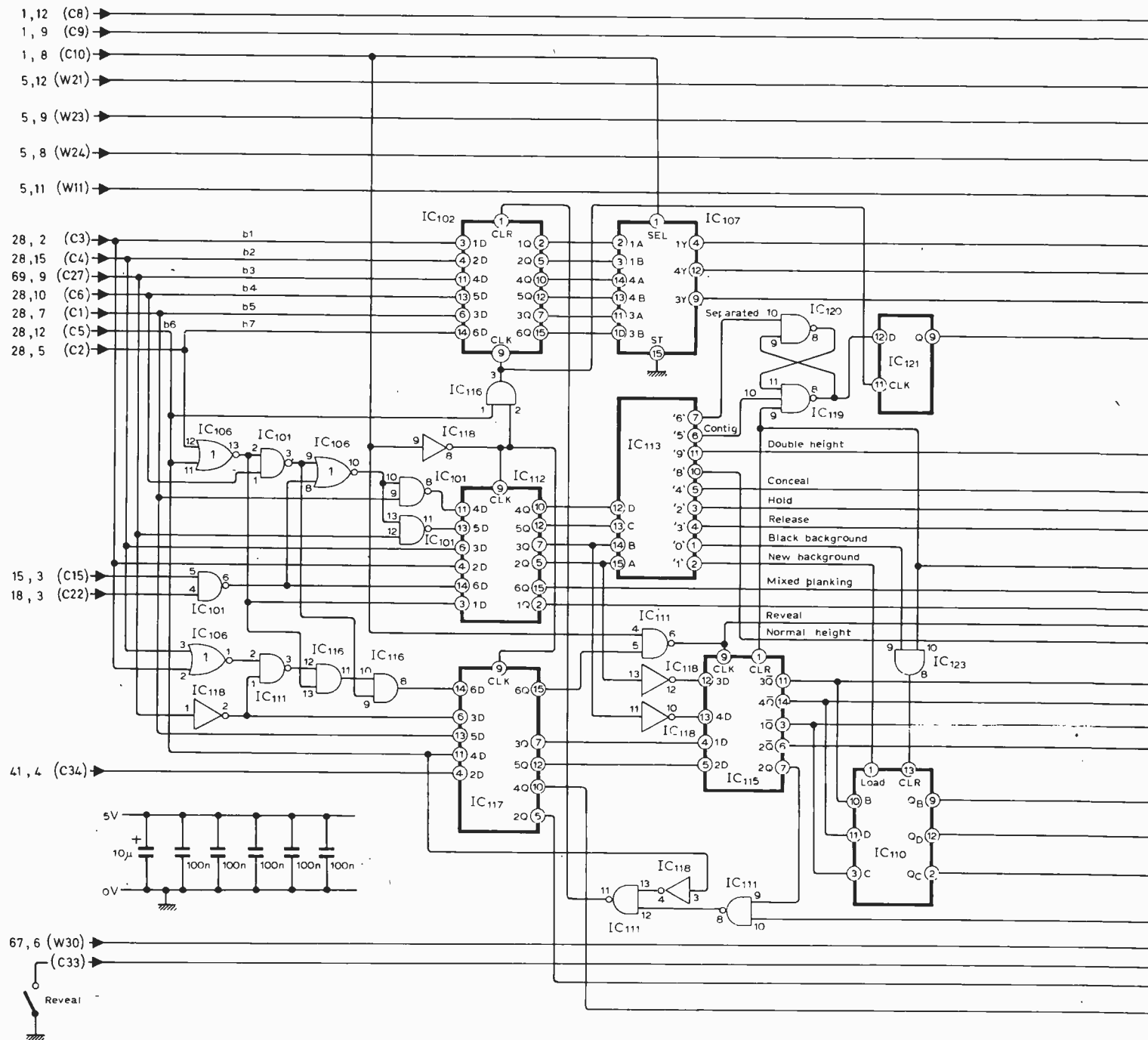
When separated graphics are in use there are gaps between the graphics cells in both the vertical and horizontal directions. In the vertical direction this is achieved by IC₁₀₉, the outputs of which are held at 0 in the separated mode thereby inhibiting the graphics on lines 1, 4, 7 and 10 of the character

rectangle (counting from top to bottom). When separated graphics characters are vertically adjacent this gives a larger gap between the rows (2 lines) than between the cells within a character (1 line) but this is unavoidable.

In the separated-graphics mode IC₁₀₆, pin 6 goes to a logic 0, thereby allowing the signal on (124,6) to be fed to the strobe input of IC₁₀₄, pin 9. This signal provides the gaps between the graphics cells in the horizontal direction (Fig. 3).

Display colour. To simplify the background colour circuitry, and to arrange that the display colour changes at the boundary of the character rectangle, a new display-colour selection circuit is included on the new board. For convenience the aphanumeric /

Fig. 2. Circuit diagram of the new digital board 3.



graphics selection is also included. The circuits on digital board 2 which originally performed these functions are no longer used.

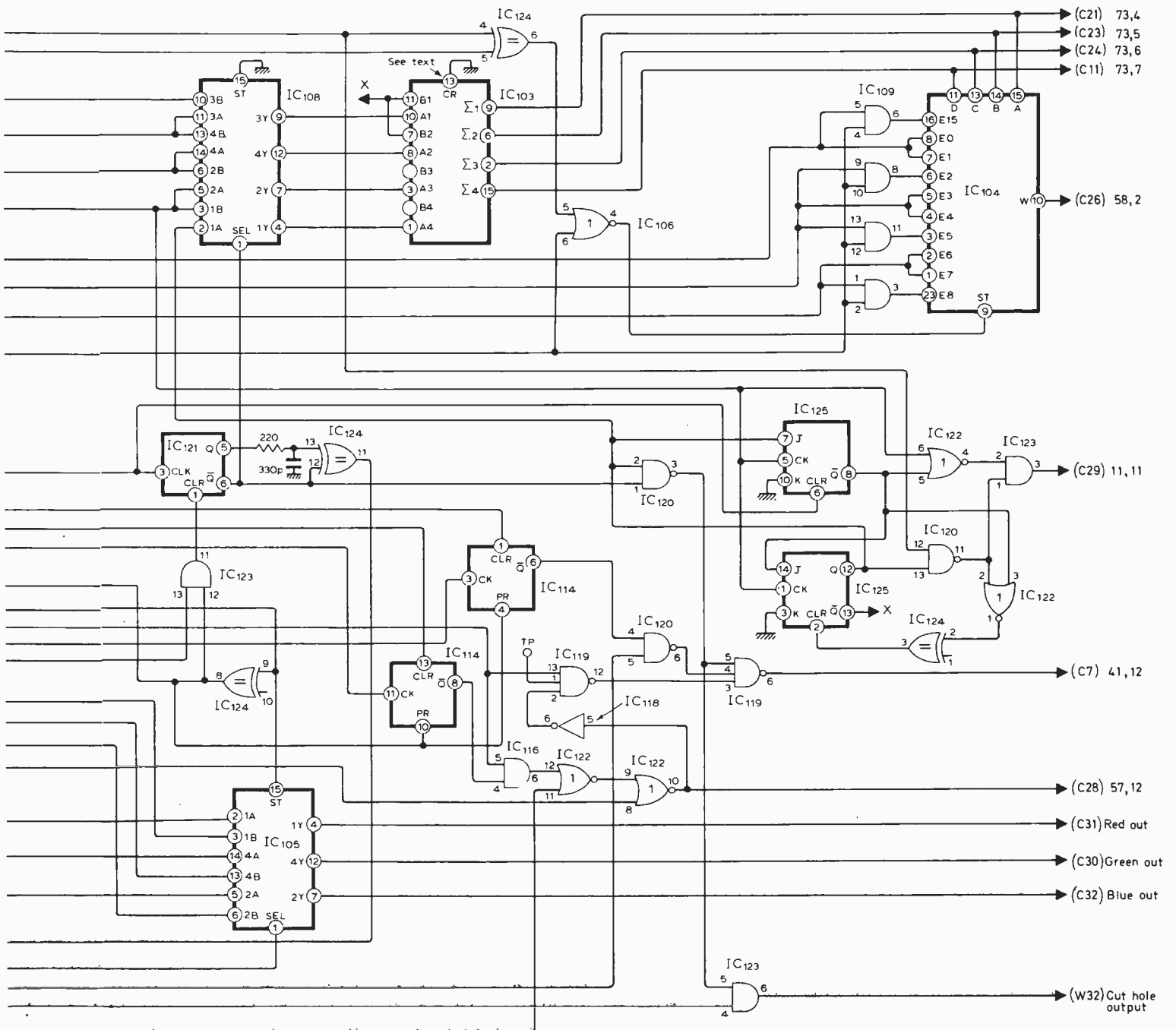
If any control character in the shaded portion of Fig. 1 occurs, then the red, green and blue components of the display colour obtaining for the next and subsequent characters (display colour is a "set after" display mode) correspond directly to bits b1, b2 and b3 respectively. For example, if bit b1 is 1 then the colour includes red. It will be remembered that this group of control characters is the same as that defining the reveal condition, and a corresponding signal is available at IC₁₁₇, pin 15. By gating this signal with the character-rate square wave in (111,6) a suitable signal is obtained for clocking the display colour latch IC₁₁₅. To the

D-inputs of this latch are applied bits b1, b2 and b3, all delayed by one character and inverted. By inverting the inputs and using the \bar{Q} outputs of the latch, the clear input (pin 1) may be used to set the display colour to white at the beginning of each row. The fourth latch in IC₁₁₅ is used to store the alphanumeric / graphics signal (which is a function of the state of b5) in the same way.

Background colours. It may be helpful at this point to explain how the set and set after requirements are met. The occurrence of a control code of interest causes one output of IC₁₁₃ to go low for exactly one character period (or more if two or more identical control characters occur in succession). Both edges of this signal are synchronised to the edges of the character rectangle. If a set at

function is required, the signal is fed to a logic-0 sensitive preset, clear or enable input, causing a change to take place immediately it goes low. Examples of this are hold and conceal. For the set after function, the signal at the output of IC₁₁₃ is fed to a positive-edge sensitive input causing the mode to change on the trailing edge of the signal. Examples of this are double height and release which are fed to the clock inputs of D-type flip-flops.

On the occurrence of a new background control character the current display colour is adopted as the new background colour. Both new background and black background are "set at" modes, so what is required is a 3-bit latch to store the background colour with level-operated preset and clear inputs. One device which meets this



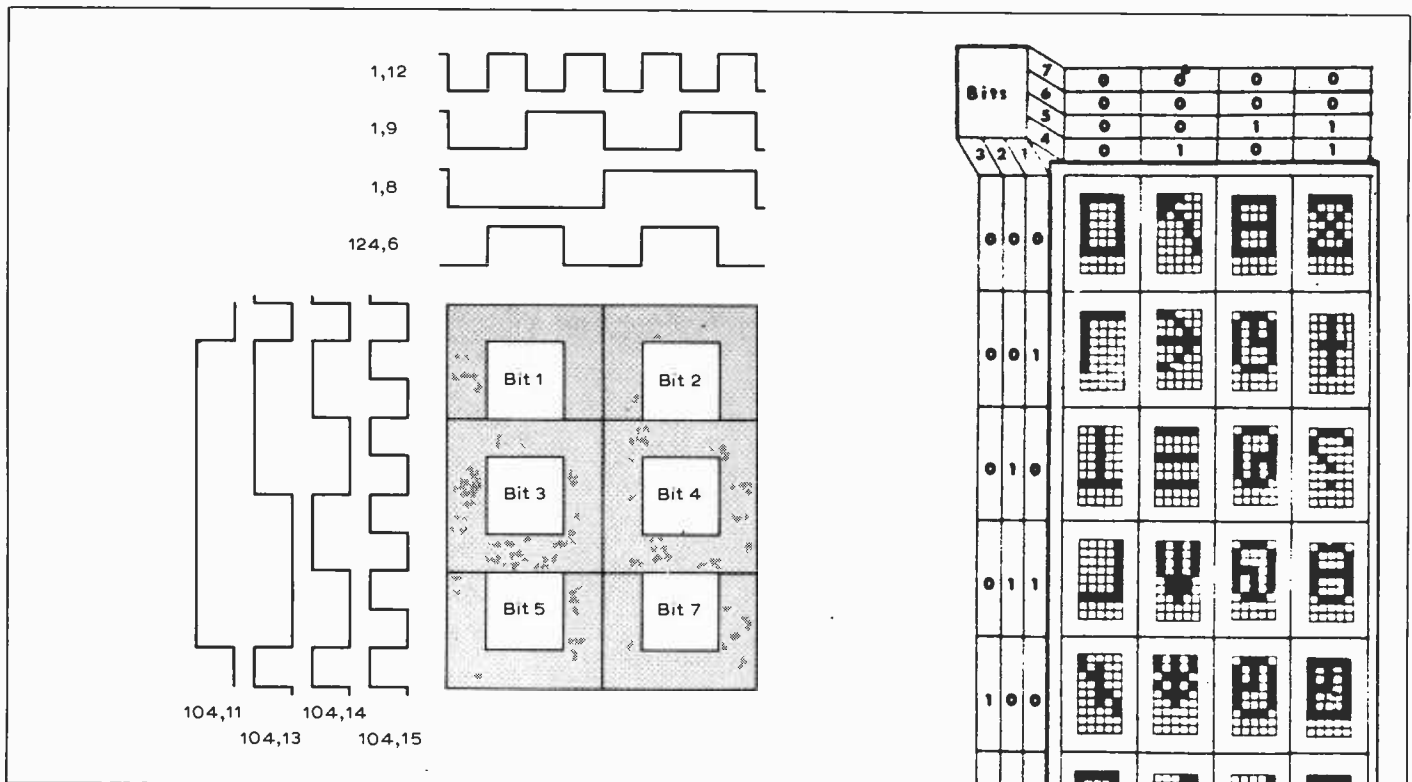


Fig. 3. Waveforms in the graphics generator. In the separated-graphics mode, only the small squares are illuminated.

requirement is the four-bit counter 74177, and this is used as IC₁₁₀. It is used simply in its parallel load mode and the clock inputs are disregarded. The black background signal is combined with inverted mixed blanking in (123,8) to ensure that all rows start with a black background.

The data selector IC₁₀₅ switches between the background colour on its A inputs (in r,g,b form) and the display colour on its B inputs according to the white output signal from digital board 2 (IC₆₇, pin 6). Mixed blanking is fed to the strobe input, pin 15.

Concealed display. Conceal is a set at mode and reveal a set after mode. Consequently, the conceal signal is fed to the clear input of a D-type flip-flop (114,1) and the reveal signal to its clock input, pin 3. Inverted mixed blanking is fed to the preset input (pin 4) to ensure all rows start revealed. The signal at pin 6, which is logic 1 for conceal, is gated with the signal from the manual reveal switch in (120,6) and fed via (119,6) as a blanking signal to digital board 2.

Held graphics. Graphics hold is a set at and graphics release a set after mode. The other half of IC₁₁₄ is used as the hold/release latch with the hold signal from (113,3) fed to pin 13 and release from (113,4) to pin 11. The connexion to pin 10 presets the latch to the release condition at the start of each row.

the signal at (119,13) is a logic 1 during a control character and logic 0

otherwise. This signal, fed via (119,12) and (119,6) normally blanks control characters. However, if graphics have been selected (and during a control character this can only occur in the held graphics mode) the blanking is disabled by the signal at (118,6).

The select graphics signal at (122,10) can only go to a logic 1 under the following circumstances. Gate input (122,8) must be at logic 0, that is, the display must be in the graphics mode, and neither a 'blast-through' alphabetic character (122,11) nor a control character in the graphics release mode (122,12) must be selected. Blast-through characters are identified by b6 being 0 and b7 being 1. During a control character in the graphics hold mode (116,4) and (116,5) are both at logic 1. Output (116,6) is therefore also at logic 1 and (122,13) is forced to logic 0. If in graphics rather than alphanumeric mode, (122,8) is at logic 0 and (122,10) goes to a logic 1 to select the held graphics character for display. At the same time the normal control character blanking is inhibited by (118,6) as mentioned.

Earthing the test-point (119,1) disables the control character blanking so that all control characters are displayed (except when hidden by being in the same colour as the background). This can be useful for fault diagnosis, especially with the 74S262 character generator which includes special characters for all the control codes (Fig. 4). With the 2513 character generator the control characters will appear as various alphanumeric symbols.

Double height. This is the most complex of the new display modes as it involves two distinct processes. The first is the

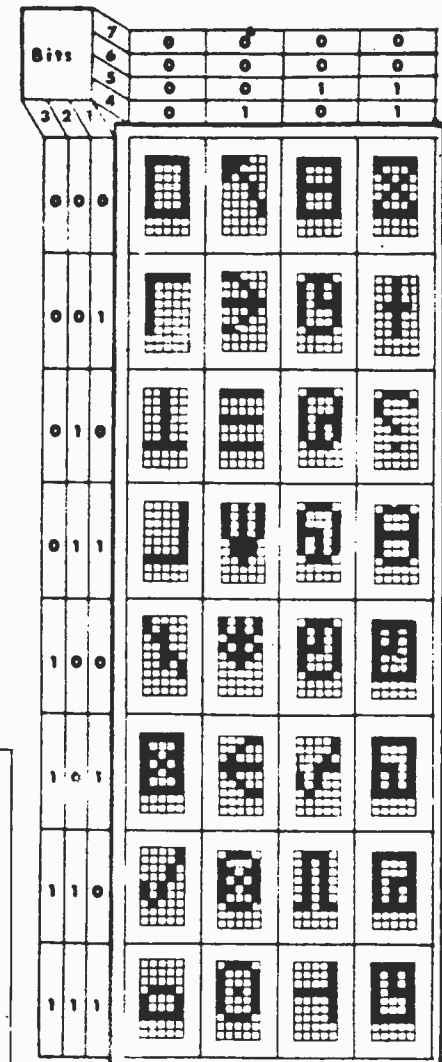


Fig. 4. Symbols generated by the Texas 74S262 character generator.

switching between single and double height characters across a particular row, and the second is arranging that any row containing double-height characters is read from the page store twice in succession, the row which would normally occupy the position of the second of the pair of rows being ignored, i.e. not read from the store. Additionally, on the second row of the pair any characters which are not double-height characters must be displayed as unboxed spaces.

Double height is a set after mode and the signal at (113,11) is fed to the D-type clock input (121,3). Normal height is a set at mode and, gated with inverted mixed blanking in (123,11), the signal at (113,10) is fed to the clear input (121,1). The data selector IC₁₀₈ switches the vertical (line) address of a character from the normal 0,1,2,3... to one changing at half the rate (i.e. 0,0,1,1...) thereby expanding the top-half of the character to fill the whole row height. On the first of a pair of double-height rows, and on all normal rows, the only purpose of IC₁₀₃ is to subtract 1 (add 15)

from the vertical address in order to move the alphanumeric characters down one line. If this is not done, characters (from the 74S262 r.o.m.) can run into graphics in the row above. This does not apply to the 2513 r.o.m.s and a small modification of this part of the circuit to inhibit the subtract 1 function will be described later.

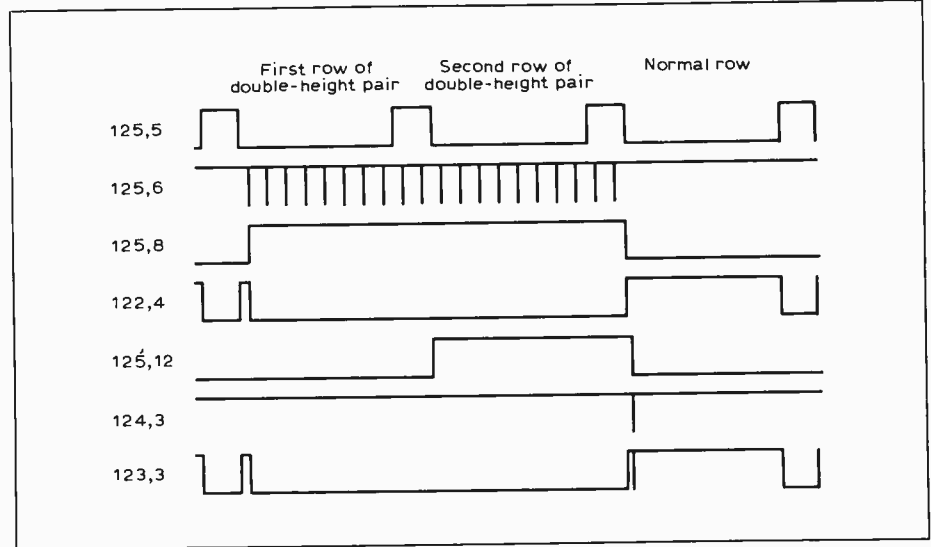
The section of the double-height circuitry described so far results in the first row of the pair being displayed correctly — normal height characters being displayed conventionally and double-height characters having their upper-half stretched to fill the rectangle.

The function of IC₁₂₅ and the associated gates is as follows. If there are no double-height characters in a row, (125,8) and (125,12) remain at logic 0. Although both flip-flops are clocked after every row, their J and K inputs are at logic 0 in each case, and in this condition the outputs remain unchanged (Table 1.). Pin 1 of IC₁₂₃ is therefore at logic 1 and the most significant bit of the line address is fed, inverted by (122,4), to IC₁₁, pin 11 on digital board 1. The positive-going edge of this signal clocks the row address once per row in the normal way.

If a double-height character is present, IC₁₂₅, pin 6 will pulse to a logic 0, thereby changing (125,8) to a logic 1. This has no immediate effect but at the end of the last line in the row, when the signal at (122,6) goes low, this is prevented from reaching IC₁₁, pin 11 and the row address is not incremented. Instead, as (125,14) is now at logic 1, pin 12 of IC₁₂₅ changes from logic 0 to logic 1. This signal feeds (108,2) and, when a double-height character is selected, it becomes the most significant bit of the vertical character address. That is, instead of the address counting 0,1,2,3... it counts 8,9,10,11... What is required, however, is for the address to count 5,6,7,8 to display the lower half of the character correctly. This is achieved by (103,7) and (103,11) going to logic 0, thereby subtracting a further three from the vertical address. The double-height characters are now displayed correctly.

The signal at (125,12) is also gated with the output of the normal/double-height latch to give a signal (120,3) which is zero for all normal-height characters in the second row of a double-height pair. This blanks the display via (119,5) and also inhibits the cut-hole signal at (123,6).

CLK	J	K	Q	\bar{Q}
	0	0	Q ₀	\bar{Q}_0
	0	1	0	1
	1	0	1	0
	1	1	\bar{Q}_0	Q ₀



At the end of the last line in the second double-height row IC₁₂₅ is again clocked. This time (125,7) is at logic 1 as is (125,14). (125,8) changes back to a logic 0 but (125,12) remains unchanged. At this point (120,12) is at logic 0 so (123,3) changes to a logic 1, thereby clocking the row address. Shortly afterwards (120,12) goes to logic 1. This causes (120,11) to go to 0 and (123,3) to return to 0. At the same time (122,1) goes to 1, (124,3) goes to 0 and (125,12) is cleared back to a zero via (120,11) this causes (123,3) to go back to 1. In this way a narrow negative-going pulse appears at (123,3) of a duration equal to the total delay around the loop (120,11), (122,1), (124,3) plus the clear-to-Q delay of IC₁₂₅. This narrow pulse is sufficient to clock the row address again, for the second time in quick succession. In this way the hidden row is skipped as required. Figure 5 shows the waveforms associated with the double-height circuitry.

The teletext specification states that after a change in either the alphanumeric/graphics or the normal/double-height modes the held graphics

Fig. 5. Waveforms for the double-height mode.

character should be taken to be a space. This is arranged as follows. When in the alphanumeric mode, IC₁₁₅, pin 7 is at logic 0. If (118,3) is at logic 0, i.e. the next character is not a valid held graphics character, IC₁₁₁, pin 11 goes low and the held graphics character is cleared to a space character. On a change from double to normal-height, or from normal to double-height, pins 12 and 13 of IC₁₂₄ will be momentarily at the same logic level due to the delay through the RC network. A short negative-going pulse will occur at (124,11) which will similarly clear the held graphics character via (111,8) and (111,11).

Reference

1. Broadcast Teletext Specification, September 1976. Published jointly by the B.B.C., I.B.A. and B.R.E.M.A.

Notes on installation and testing will appear next month

Literature Received

Two programme reference guides, published by Rapid Recall, list the assembly language in both mnemonic and hex. machine language form for the 8085 and 8048 microcomputers. There is also a table of the ASCII character set and controls with hex. values. Rapid Recall Ltd, 9 Betterton Street, Drury Lane, London WC2H 9BS WW401

Static, uninterruptible power supplies for use with electronic equipment whose performance must not be affected by transients, voltage fluctuations or power failures are produced by Chloride Transipack. A brochure describes the systems, which rectify mains a.c., charge

batteries and convert back to a.c. by means of inverters. Chloride Transipack Ltd, Stanley Road, Bromley, Kent BR2 9JF WW402

A chart illustrating many varieties of audio and power connector is obtainable from Beacon Audio Components, 282 Hatfield Road, St. Albans, Herts AL1 4UN .. WW403

More than 3000 components for use at r.f., including connectors, adaptors, leads and probes, are completely specified in a catalogue from Greenpar Engineering Ltd, P.O. Box 15, Station Works, Harlow, Essex WW404

Microprocessors and i.c.s for use in telecommunications are described in a booklet from National. Other equipment mentioned includes tone receivers, modems, touch-tone dialling, companders, filters and memories. National Semiconductors (UK) Ltd, 19 Goldington Road, Bedford MK40 3LF WW406

News of the Month

Hall effect heads

A new type of tape recorder head has been developed which will give higher output, better signal to noise ratio and improved distortion figures, say the makers, Hitachi. The head uses the Hall effect principle, whereby a current flowing through a material along the y axis and subjected to a magnetic field acting along the z axis will produce a potential difference across the x axis. The effect is most marked in a semiconductor. The induced x axis Hall electric field, if the current along the y axis is constant, is proportional to the magnetic field strength. If the magnetic field strength is varying, as when a recorded tape passes over the head, then the electric field appearing across the semiconductor will vary accordingly.

In the Hitachi stereo cassette head there are four sections, enabling simultaneous stereo recording and playback. In other words, cassette users will be able to monitor off tape as they record, as reel to reel machines have allowed for years. According to the provisional specification the record and playback heads, with casing, are only 10mm wide along the direction of tape travel, and the distance between record and playback heads is a mere 2.6mm.

According to a *New Scientist* report the head is the subject of over a hundred patent applications round the world. The improvement in signal-to-noise ratio is 3dB over conventional inductance coilheads. The semiconductor used is a thin film of indium-antimony. Hitachi's provisional specification says that at a flux level of -20dB ref. 250nWb/m the output level at 1kHz would be around $280\mu\text{V}$.

Hall effect devices are frequently used in measurement but it is only recently that they have been applied to domestic equipment. Matsushita, for example, have developed linear and switch-type silicon monolithic Hall i.c.s with a Hall element and amplifier on a single chip. This can be used for keyboard switches, microswitches, rotation detectors for tachometers, tape recorders and so on, and for position detectors for movie cameras and sewing machines.

Can you hear the picture?

Another spectacular tape recording development, again from Japan, is the use of video recorders to tape high quality sound. Sony are about to sell in Japan a black box for attachment to their Betamax video cassette recorder which will encode sound signals serially and put them on the half-inch video tape. Pre-recorded cassettes will be available which, when decoded through the playback section of the circuit, will give a dynamic range of 95dB. The dynamic range for self-recorded material will be about 85dB, say Sony. Other measurements are: distortion 0.03% from 2Hz to 20kHz; unmeasurable wow and flutter (because of storage and time-base correction); and frequency response 2Hz to 20kHz $\pm 1/4\text{dB}$. The sampling rate is 44.1kHz and, for the domestic version of the device, three words are put into each line, each word having two 13-bit information portions and six parity bits. The box accepts line-level audio inputs on the record side. The selling price of the equipment, which can be attached to any conventional helical-scan recorder, will be around the same as the player, around £800.

It is reported that the Japanese broadcasters may transmit high quality sound signals after normal transmission hours. These will be received by the television set and decoded to the amplifier and speakers through the black box. Sony expect that the Betamax will now attract a great deal of professional attention since, although it would not normally be good enough for professional video use, the new technique will make it one of the best sound machines available, and one which offers a three-hour playing time. It was first introduced in Japan in May 1975. In November 1964 Sony introduced what they say was the world's first home use video recorder, the CV2000, and in October 1969 they announced the first video cassette system, the U-matic.

● The IBA announces that its director of engineering since 1966, Mr Howard Steele, is leaving to join Sony Broadcast at the beginning of 1978.

Electronics takes two prizes

Two of the four prizes awarded this year by Technical Development Capital Ltd, a funding organisation, for outstanding innovation went to electronics companies. BSH Electronics (Manchester) Ltd shared the runner-up prize with two other firms, one of them SEMA Electronics Ltd of Dundonald, Ayrshire.

BSH's development was of a device for turning a rear windscreen-heater into a car aerial. The inventor, Mr J. J. Kropielnicki, got the idea for his Bi-Fi aerial when he was having trouble with his own, conventional, car aerial. His wife came and asked why he didn't use "the aerial in the back window," and he set about designing a system that would allow him to do just that. The device has the advantage that it cannot be torn off the car, like conventional whip or rod aerials, though we have no information about its efficiency with a variety of rear windscreen-heaters.

SEMA's prize was for developing a light,

portable gas detector. According to its inventor, Mr R. L. Dries, the idea for this came to him when he had taken the top off a transistor 12 years ago, and found that the air contaminated it.

The first devices he made which used this phenomenon were too heavy to carry and consumed too much current, he said. He had to wait until the i.c. arrived before he could make the device as portable as he wanted. So far he had tested about 400 gases and it had worked on all of them. Each detector will only respond to one kind of toxic or inflammable gas, so the customer has to say what he wants the device to do. The detector and the electronics are then made to suit.

The detector and electronics can be in the same case, or a remote sensor can be fitted. "You can put half a mile of cable on the detector, it makes no difference." He could not say anything about the detector other than that it was a p-n p-n p-n multiple sandwich. The detector reverted back to normal after the gas went away, so there was no ageing effect. Full scale deflection was a contamination of one part per million. "It will detect the unburnt combustibles in smoke. It will work in an inert atmosphere and doesn't require oxygen to make it work."

At the presentation of the awards Lord Seebohm, chairman of Technical Development Capital Ltd, a subsidiary of Industrial and Commercial Finance Corporation Ltd, said that 155 people had made submissions. "Before introducing the prizewinners I want to stress that the TDC award is not for the innovation itself. The new products are important ingredients ... but they are far from being the whole story ... In choosing the winners of our competition we have taken all aspects of the business into account." The winner, who showed a method of injecting concrete blocks with insulation, received £10,000 and each of the runners-up received £1,667.

Ferrograph swap

The impending closure of the Ferrograph factory in South Shields has forced the National Enterprise Board to arrange a marriage between Ferrograph and North-East Audio Ltd (NEAL). Wilmot Breeden, who have owned Ferrograph since 1968, sold the company for nearly £1/2 million. The announcement came in mid-October.

Ferrograph had been struggling for some time. Although the old Ferrograph Series 7 tape recorder had been well thought of, the BBC, for example, using it extensively, successors to the machine, the Super 7 and Logic 7, had met with a less than enthusiastic response. Had Wilmot Breeden closed the South Shields factory, moving production down to Bognor Regis, only the Ferrograph test set and the Studio 8 tape recorder would have remained in production. There were also long lines of communication between South Shields, Bognor and Wilmot Breeden's Birmingham headquarters.

Ferrograph's difficulties were compounded by problems elsewhere in the electronic division of Wilmot Breeden: the Wayne Kerr factory at Bognor Regis, for example, went on a three-day week last January "due to a run down in orders." The electronics division made losses of £1/2 million last year attributable partly to Rendar and partly to Ferrograph.

The Bognor factory went back to full-time working after 12 weeks, and a spokesman

told *Wireless World*, performance had now improved in other parts of the division.

The National Enterprise Board was anxious that Ferrograph's South Shields factory should not close. Its 140 or so employees live in an area which is suffering from even worse unemployment than other parts of the UK. The NEB approached NEAL with an offer to take a 49% stake in NEAL if they would take on the factory. The NEB holding means a new injection of £400,000 into NEAL, whose founder and managing director, Alan Helliwell, was chief engineer or chief executive at Ferrograph for the four years to 1972.

As well as audio tape recorders, Ferrograph make audio test equipment and marine echo sounders. NEAL will take over the whole range except for the ARA1 cathode ray tube response unit, though this may be supplied in future under an o.e.m. arrangement with Wayne Kerr. The Studio 8 recorder is a professional machine designed to compete with the £3,000-plus Studer machines. It was developed in Bognor Regis and is now made under subcontract. All other Ferrograph manufacture, NEAL's own factory in Newcastle, and the sales office in London will be moved to South Shields.

Mr Helliwell told *Wireless World* that after a slow start the sales of the Studio 8 were doing "very well." As for the rest of the company: "We have quite a long job in front of us. We're not going to do it overnight. Our aim is to try to get it back to what it was ten years ago within three to five years, though if it takes five years I shall be disappointed." One of his first tasks would be to make the existing product range more attractive.

He expected that, at the end of next year, NEAL would contribute half of the company's turnover. His approach would be to attack several markets from the base of the same technology rather than, as the Japanese had done, attacking one market with several technologies. The latter course was, in any case, rather expensive. It would be little more expensive to market Ferrograph and NEAL combined than NEAL alone since, for example, they only had to buy space for one exhibition stand to show both products.

Light on records

Teac showed a record player that used a laser beam instead of a stylus at the recent All-Japan Audio Fair in Tokyo. Production won't begin for five years but the price is expected to be around £320 a unit. The development is expected to result in a large reduction in record wear.

BBC's Wood commended

The Society of Motion Picture and Television Engineers (SMPTE) has awarded Mr C. B. Wood, head of engineering information at the BBC, a special commendation award for "his many outstanding contributions to motion pictures and television." Wood worked at the BBC research department for 26 years, during which time he had worked on television film recording. After the introduction of colour tv he was awarded the MBE in 1971. In 1968 he received the

Geoffrey Parr award of the Royal Television Society for his physics group's work in improving tv reproduction of colour films. In 1972 he won the Pye Travelling Scholarship for work on the standardisation of reproduction chromacities. He is a fellow of the SMPTE, an honorary fellow of the BKSTS, and a fellow of the Royal Television Society.

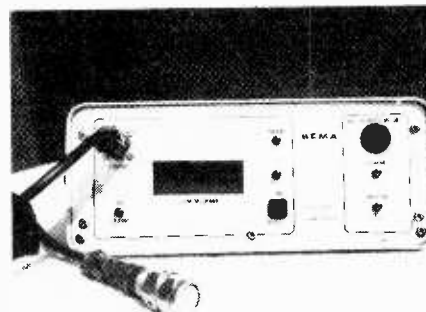
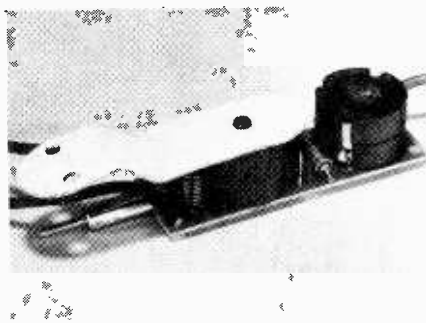
Radio and the danger of explosions

A gas terminal receiving supplies from the Frigg field is so close to a new Royal Navy communications base that the radio waves from the base might cause a serious explosion, according to the British Gas Corporation. Yet the Admiralty, who decided to go ahead with the project, for which they have received a Nato grant, in 1969, before the St Fergus gas terminal three miles away was even contemplated, say they have no intention of closing the base down. The terminal will eventually supply 40% of Britain's gas.

The Navy's plans for the base at Crimond, Grampian, according to the Ministry of Defence, were known to Total and the British Gas Corporation before they went ahead with the terminal. The base is due to open formally next January, but test transmissions have been carried out and are continuing, though at reduced power while an investigation is carried out.

The Navy told *Wireless World* that although the frequencies and powers to be used were not publicly available, this information had been given to the parties concerned with the building of the gas terminal when planning permission for the base was going through.

It has now been well established that radio waves, particularly those received near to a powerful transmitter, can cause the explosion of inflammable gases. Currents induced in metal pipes by the waves can cause a dangerous spark, and a British Standard, BS4992, has been published on the subject.



The two winners of the TDC award – see "Electronics takes two prizes." Top: the inside of the Bi-Fi car aerial device, and (below) the SEMA gas monitor.

That standard places the onus for the protection of flammable gases on the user of the material so hazarded, and that is one reason why the Navy feel the British Gas Corporation should carry out any necessary protective work themselves.

British Gas say that when they first thought of building the terminal the hazards of radio waves were not much known or thought about by the scientific community. It was only after construction began in 1972 that enough work on the subject had been done to make it clear that it could be a hazard, and this was long after the Navy had sought planning permission, in 1970. The British Standard was published in April, 1974. Ironically, when British Gas sought a site for their terminal they investigated Crimond, and discovered the Navy had already got it.

Since "hundreds of millions of pounds," according to BGC, have already been spent on St Fergus, and Shell and Esso will also build terminals there for passing products on from the Brent field, there is no question of closing that down either. A committee of representatives from the Energy Department, Defence Ministry, British Gas and Total will now have talks and safety measures will be agreed, though it is not known how long this will take.

Sinclair pushing tv

Production problems at the beginning of the year caused Sinclair to depart from the target dates they announced for the pocket television set when it was launched at the beginning of January. (See WW March, p.37.) Although Clive Sinclair had said that the sets would be in the shops in February, that did not happen until June, four months later.

The delay was partly attributable to faults in the case moulding, each one of the first batch of which had to be altered by hand. There is also some doubt about the quantities now in production. By August they were making about 800 a month, and 1,000 a month after that. During September they had hoped to make 1,500 a month but the failure of delivery of tuner circuits cut that figure by a third. At an October press conference to launch a new calculator range and pocket multimeter, Clive Sinclair announced that production was "now 2,000 a month," and he expected it to reach 4,000 a month within two months.

Even allowing, however, for a little hyperbole in these figures the assertion that "demand exceeds supply" is probably correct. All the sales are being made either here or in the United States, roughly half each, and Sinclair expects the tv to account for half the company's turnover eventually.

The calculator market which built the company up is now very competitive, and Sinclair executives were finding this year's going a bit hard, which is why they welcome the success of the television and are keen to get production up to its (as yet undisclosed) maximum. There are immediate plans to increase capacity to about double the present figure.

There were reports that there had been some difficulty in the supply of the AEG Telefunken tube, which the German company are contracted to supply only to Sinclair for this application. Clive Sinclair denied this, and there do not at the present appear to be any plans to find second sourcing for the tube, though this may change next year if, as Sinclair hopes, the production of the sets

goes well ahead and the market opens up. After Christmas test marketing of the set will start in Europe.

Sinclair said at the October press conference that the investment by both the NEB and the company, which now totals over £2 million, had resulted in large increases in turnover; in November, he said, turnover would be "at least double" that for the same month last year. And profits were also "increasing very rapidly."

The cost of producing a colour version of the set may be prohibitive, at least for the present, but, in view of Sinclair's growing interest in the instrument market, it would not be all that surprising to see a pocket oscilloscope being launched at some future date.

Beeb's light drama to be lighter

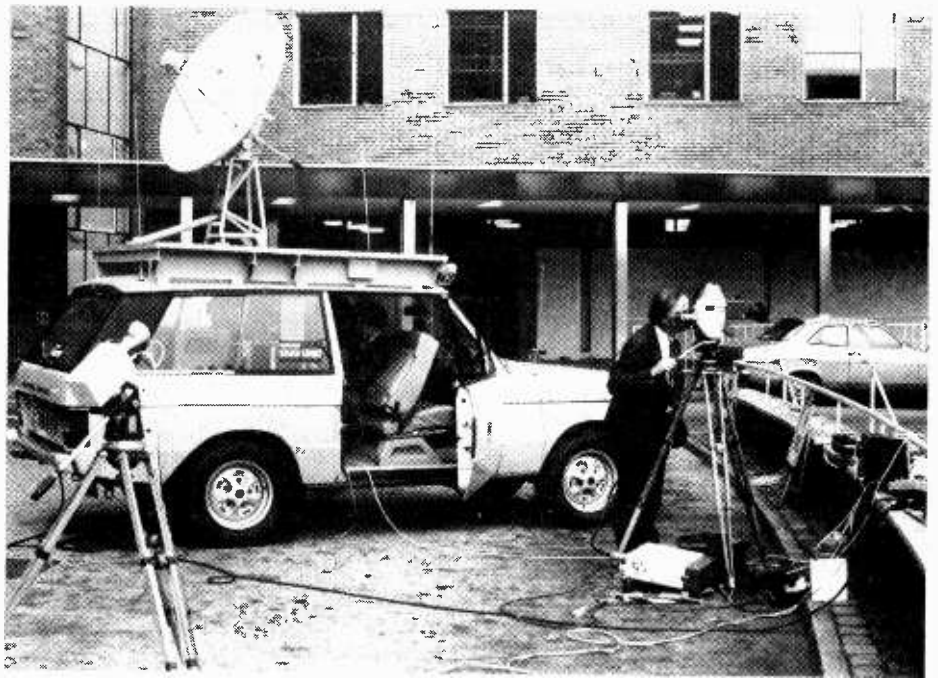
The BBC is conducting a one-year experiment in electronic news gathering. The first use of the new equipment was for an interview with Mrs Margaret Thatcher on October 10, just before the Conservative party conference and it now averages two or three stories a day.

A Range Rover has been equipped with a Philips LDK11 camera, Sony 3800 ¾in U-matic cassette video recorder and Sony Trinitron monitor, radio telephone, and transmission links. An intermediate Microwave Associates 13GHz "window" link, with a range of about ½ mile, will be able to transmit to the e.n.g. unit. From there a more powerful 2½GHz link will carry the signals to the top of London's Millbank Tower, and cable takes them to Television Centre. Other base stations, which have already been tested, will be used when necessary. Where a cable link already exists for outside broadcasts, at such places as Downing Street or Heathrow Airport, the video cassette can be played straight down the cable. Another choice is to send the cassette to the Centre by dispatch rider, as already happens for cans of exposed film.

The BBC plan to do live inserts into television news broadcasts. This has been done in the past with the o.b. units, sending signals back over temporary links.

The BBC have been carrying out tests with various types of equipment for the past two years, and talks with the unions have been going on for the past 18 months. Film camera crews have been retrained to operate the electronic equipment. The Range Rover will have a crew of two, plus a reporter who will travel separately and the despatch rider, if needed. The LDK11 camera is rather larger than the latest cameras available for such uses. Nevertheless its weight compares well with that of a 16mm camera. Crews can either connect the camera to the recorder on the van, or carry the recorder with them for playing back later from the vehicle. The reporter can play back the whole tape and send cues and editing instructions to Television Centre via the radiotelephone. Cue numbers are visible on an elapsed-time readout, and are generated by an SMPTE code on the tape.

The BBC are not giving any figures for the cost of the experiment, though it is believed that the equipment of the van cost about £70,000, and another £30,000 was spent on associated equipment at the centre. This total of £100,000 will be written off over five



The BBC's experimental e.n.g. unit. See "Beeb's light drama to the lighter."

years. A film unit costs about £20,000 to put on the road, but the operating costs of the electronic unit are believed to compare favourably with those of film units, since there are no processing costs and the "stock" can be re-used almost indefinitely. Ten minutes of film cost about £20. All in all the comparative total costs of e.n.g. as against film are about the same over the five-year period.

The small new cameras have other advantages besides being easily carried. According to BBC engineers the ¾in. tubes are more sensitive than those of larger cameras, giving a picture even in bad light. In this respect they perform about as well as film cameras, but they have the added advantage of giving a better colour balance. Editing is all-electronic, and will take about the same time as film editing does now, though no time has to be spent on film processing, which can take from 40 minutes to an hour.

The Corporation is doing a great deal more lightweight production for drama and current affairs than on news, which represents only about 9% of output. According to a BBC spokesman, 67% of tv output was now being produced electronically, and they aimed to enable drama producers, for example, to use locations as easily as they now did the studio.

This can have important benefits on productivity. Whereas a production unit might only shoot four minutes of film a day because there might be doubt about the light conditions, for instance, with electronic production this can be increased to 12 minutes a day or more because the results can be seen immediately without processing. Two-camera units using lin tubes have been operating in drama for about three years. The next step would be electronic field production using lin helical scan tape recorders instead of the heavy 2in tape machines now in use, which do not offer still-framing.

The BBC has just bought three Ampex VPR1 recorders for news and current affairs in Newcastle and Manchester, and these and other machines may be bought for drama.

Solar power nearer

Bell labs are developing solar cells made from liquids and solids which may be more economical than all-solid cells. They are also easier to make and may last longer, say Bell.

Efficient but expensive solar cells may be made from joining two single crystal solids, and less expensive but less efficient cells can be made from the junction of polycrystalline materials. The latest liquid junction Bell cells also use polycrystalline materials but are cheaper to make: "Junctions in all-solid cells are difficult to form since layers of crystals must be aligned precisely," say Bell. "Liquids conform to solids easily."

The new cells comprise two electrodes in a water-based solution. One of the electrodes is a semiconductor, the other carbon or any of a number of common metals. When light falls on the semiconductor current flows from one electrode to the other via the liquid. The solution is of sulfide polysulfides in water, and it remains relatively unaffected by the process. This accounts, say Bell, for the long life of the cell, up to four years in one case. In one experiment using cadmium selenide as the semiconductor electrode over a twentieth of the incident light was converted into electricity, about two-thirds the efficiency of the equivalent crystal cell.

An 8% efficient solar cell is reported to have been made by annealing with a single 30ns laser pulse, according to a report from the 1977 Photovoltaic Solar Energy conference in Luxembourg. The result is a silicon ion-implanted solar cell. Another cell, a 50mm thick silicon cell uniformly thinned by etching in sodium hydroxide has a claimed efficiency of 14%.

A Rugby engineer, Mr A. T. Freeman, has built a solar powered car which does not store the energy in conventional batteries. The solar cells, made by Ferranti, are mounted in a canopy above the vehicle's seat and produce a maximum of 35W. Eventually he wants to produce a commuter vehicle which will have a roof area of 50ft² producing 250W, and a maximum speed of 15 m.p.h. The cost at the moment would be £5,000 for the panels but he is hoping this will eventually come down to £50.

The electronic arm of the law

Suffolk Police have installed over £100,000 worth of computer equipment at their headquarters at Martlesham, near Ipswich. The equipment, to control the force's more than 200 vehicles, to record incidents, to switch messages between teleprinters in a communications network, and to hold local criminal, firearm, and stolen property records, was commissioned in November 1975 and installed beginning in the summer of the following year.

Currently 96 of the police vehicles are fitted with terminals which link them with the computer. Fourteen v.d.u.s are in divisional control rooms at Ipswich, Bury St Edmunds and Lowestoft, and at force headquarters. The message switcher controls 18 teleprinters distributed among the 13 sub-divisions and force HQ, and also a journal printer. The processor used is the GEC 4080, supported by 256 kbytes of core store, two 35 Mbyte discs, magnetic tape, line and logging printers, and communications interfaces operating at 2,400 baud to the v.d.u.s. and 75 baud to the teleprinters.

The Suffolk police regard the installation as one of the most advanced of its type, even though they are aware that computer technology has advanced some way since the system was commissioned. The force serves a community whose industry is expanding rapidly and includes the port of Felixstowe. The new police headquarters, housing 250 police and civilian workers, is a showpiece, and, like the computer system, has been designed to meet Suffolk's needs well into the future.

Suffolk is one of the latest forces to embrace the computer. Recent reports in the specialist and daily press have mentioned the growing police use of computers in Glasgow, Staffordshire, the West Midlands, Devon and Cornwall, Lincolnshire, Tayside, the Thames Valley, and, of course, Scotland Yard. Many more of the country's 43 police forces are taking advantage of the computer, and there is no doubt that one day they will all be computerised. Those not already so may be using their local authority's computer for the same purposes.

Stations linked

The arrival of the blue serge computer is mainly attributable to the shortage of police manpower, and to the related switch in emphasis in recent years from crime detection to crime prevention, or, as the bobbies inimitably put it, "pre-emptive policing." But while this is a desirable end, serious doubts have been raised by the means.

There is nothing a computer can store that could not be stored on paper. The difference is in the amount of storage and the ease with which it can be made available. Data banks can hold enormous amounts of information with very little trouble, and when what was previously held in paper files is so easy to store there is an overwhelming temptation to add all sorts of other details as well.

All of the 800 police stations in England and Wales are linked to a national police computer, based on a Burroughs main frame, at Hendon. This project went ahead in 1969 and began to operate in 1974. According to the Government white paper on computers and privacy, "its purpose is to automate the storage and retrieval of certain of the records

held by the central and regional criminal record offices and by police forces: these comprise indices to records of persons convicted of serious offences, wanted and missing persons, stolen vehicles, disqualified drivers and persons with suspended sentences."

In addition, each day a new tape is carried from the vehicle registration computer at Swansea to Hendon for feeding into the computer. This is necessary because the Swansea computer works on tape and that at Hendon on disc, for speedy access. This transfer means that, by 1979, the names of 26 million people owning licensed vehicles will be on the file, along with address, date of birth, details of the vehicle and other codes saying whether, for example, the car is "of long term interest to the police." The total number of entries will be over 36 million.

This contradicts a government assurance that the information used for one purpose would not be transferred for use in another. There are some 220 central government administrative tasks which are computer-based. The public sector has around 3,500 computers at its disposal, roughly a quarter of the private and public sectors' combined total. The Home Office and Metropolitan Police joint automatic data processing unit, for example, has five central processors, 500 staff and a capacity of 768 kwords. The Home Office has spent £14 million on computers in the last ten years. In January, 1973, *Computer Weekly* reported that detectives on a murder enquiry had searched the memory banks of a Department of Health and Social Security computer, looking for a letter. Also, the Balcombe Street bombers were partly tracked down by tracing a computer dating form from a *Time Out* advertisement which one of the bombers had filled in as a joke.

The police national computer also has a fingerprint file for those convicted and sentenced over the last 40 years (the Rehabilitation of Offenders Act, 1974, is supposed to ensure that a conviction vanishes from the record after five years) as well as those awaiting trial, a total of 2.25 million people. Those detained under the Prevention of Terrorism Act also had their fingerprints taken and stored even though 19 out of 20 of them were acquitted. (See *Wireless World*, September 1975, p.406.) A *Police Review* editorial once described the information in police files as "frequently libellous".

BBC

This is why the government white paper stresses that the disclosure of criminal and other records from the computer is not "given to anyone, however responsible, unless considerations of public interest justify it." Yet the number of people with authorised access includes public bodies or authorities about to employ doctors, dentists, nurses, youth leaders or teachers, civil servants, atomic energy and Post Office temporary or permanent staff, magistrates, justices of the peace, barristers, solicitors and their clerks. Astonishingly the paper also admits that "the police also maintain the practice, which does not have specific statutory authority, of helping social services departments in considering applications from adoptive and foster parents." Anyone

who applies to join the police, or for an award under the Criminal Injuries compensation legislation, or for a gaming licence, is also checked.

In addition, a recent book* by Patricia Hewitt of the National Council for Civil Liberties points out that criminal records are also available to anyone who knows how to work the system. For this reason the practice, not confined to security firms, of hiring ex-policemen has become widespread. The most outstanding example must be the BBC's appointment of Robert Huntley, former head of the bomb squad, as security adviser. Anyone applying for a BBC post might therefore expect the corporation to have access to a great deal of information which would otherwise be closed to them. Yet when the police computer was being set up, in 1971, the then Home Secretary, Mr Reginald Maudling, told the Commons that access to it would be restricted to the police.

Passport details

Scotland Yard's computer provides a good example of the dangers computers may present. In February this year *The Times* revealed that nearly 1.5 million names of criminals "and their associates" will have been fed into the computer by 1985. Stewart Tendler wrote that Scotland Yard refused to say whether this would include the names of those suspected of subversion. A £900,000 contract for the computer was announced last year but no other details, including the name of the winner of the contract, for which 25 companies competed, have been released. However, *Computer Weekly* revealed in December last year that the contract had gone to Computer Technology Ltd, one of their biggest ever orders.

Notably, the records include passport details and details of bankruptcies. "By 1985," said *The Times*, the computer could be storing information equivalent to one-fifth of the population in the area of the Metropolitan Police's jurisdiction." Although the kind of information stored is supposed to be subject to the guidelines in the white paper, and therefore not secret, Scotland Yard refused to say why the information was classified, or whether it was true that an astonishing two-thirds of the names on the biggest section of the records was of suspects and associates rather than people with criminal records.

A further report in September said that the names of tens of thousands of those suspected by the special branch "for reasons of national security" were to be fed in. The special branch was allocated up to 600,000 of the total capacity of 1,300,000 names for such purposes.

No one doubts that the tracing of bombers and murderers after the event, still more the prevention of their atrocities beforehand, is of benefit to the community, though more often the beginning of the spiral is the mere tracing of stolen cars. But, the objectors say, these worthy objects may become the excuse for producing just the kind of peephole society the bombers would resort to if they ever found themselves in control. Be it noted that, after nine years' work, the FBI has abandoned a national police computer it was to set up in the United States, largely because of the privacy issue.

*Privacy: the information gatherers. Patricia Hewitt, National Council for Civil Liberties. £1.25.

The Bizarrm

Low-cost pickup arm using mono-filament suspension needs no special tools

by Ernie Lowinger

Many pick-up arm designs for home manufacture have already been described in the journals. Most very beautiful, all very sophisticated and requiring the use of a lathe and appropriate precision. For some time I have sought the design for an arm that could be made with a minimum amount of costly precision tools.

My aim has been to produce an arm with performance as good as there is, with a reasonable appearance, from inexpensive materials which are easily found, using tools I have to hand: electric drill, drilling stand, assorted drill bits and a few BA taps.

I have tried miniature ball races and found them too temperamental. A uni-pivot is out, hydraulics and knife edges, too. For some time I toyed with the idea of a thread or wire suspension. The idea finally took form when I saw two mentions of a thread-suspended bias compensation device in some old *WW* and *HFN & RR* copies¹. This was not my first acquaintance with this form of

First design, in which the arm is carried by the signal wires.

thread suspension. It defeated me the first time I met it as an A-level maths problem years ago. This time I derived the equation $M = Wa^2/h$, where M is the moment, W the total mass of the arm, $2a$ the distance between the threads, and h the suspension height (see Appendix 1). The principle is simple enough; the arm is supported by only two threads, Fig. 1. The resulting friction is due only to the torsional hysteresis of the threads and the lead-out wires. I have made two arms utilising this principle. One uses fine nylon fishing line for suspension. The other uses the signal wires themselves to support the arm.

In addition to having low inherent friction the principle also offers automatic bias compensation. The moment on the arm is proportional to the sine of the angle of rotation of the arm, i.e. $M \propto \sin\theta$. If θ is centred on 90° then for a sweep of 23° of the 9-inch arm there is only 4% variation in M .

Bias compensation

To arrive at some concrete dimensions for the threads and the values of a , h and W it is necessary to look into this bias business.

If a cartridge is offset ϕ degrees in a pick-up arm, Fig. 2, but is tracking a groove tangentially, there will be a force F due to friction along the cartridge's longitudinal axis. This force can be resolved into a pull along the arm P from the pivot, and a pull S at right angles to the arm which tends to make the stylus ride the inner wall of the groove harder than the outer

$$\begin{aligned} S &= F \sin\phi \quad (\text{see Appendix II}) \\ P &= F \cos\phi \end{aligned}$$

Now F is proportional to the tracking weight and it has been shown² that the constant of proportionality can be anything between 0.2 and 0.9, depending on the record and this can be increased by 80% more on highly modulated grooves in the case of certain cartridges. It is quite likely that a resulting variation of 10:1 can occur across one record. One might well ask, is it worth the bother?

Anyway, to start somewhere the equation has become

$$S = kG \sin\phi$$

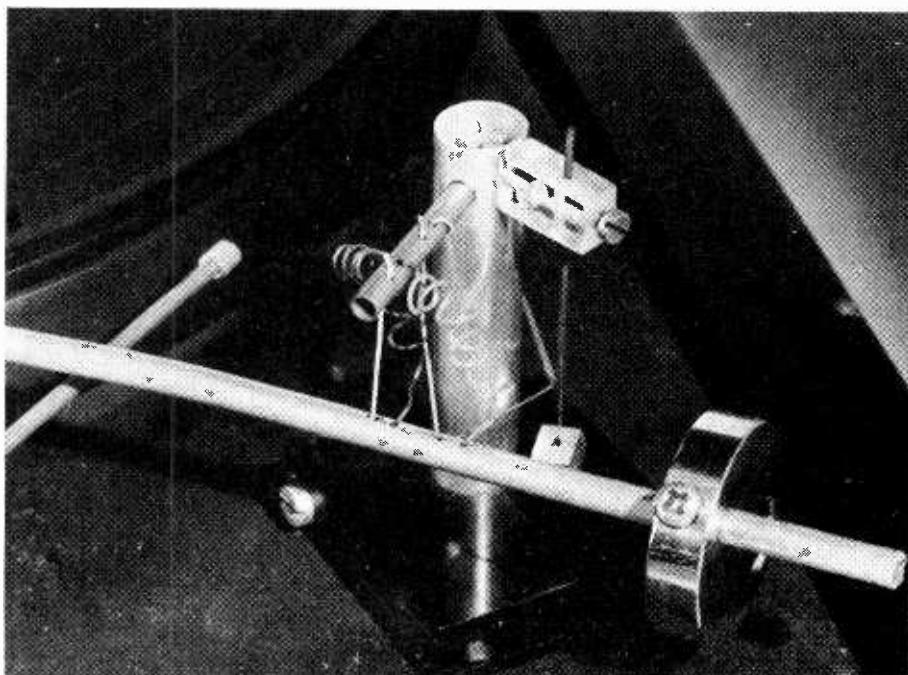
where G is the tracking weight and k a constant. Taking a mean value for k of 0.5, a 9-inch arm with an offset angle of 23° and a range for G between 1 and 3 grams, S ranges between 0.2 and 0.6 grams. This means a moment at the pivot of a 9-inch arm of between 1.8 and 5.4 gram-inches, if you will forgive the mixed units. This is the range of the values for M in the equation $M = Wa^2/h$.

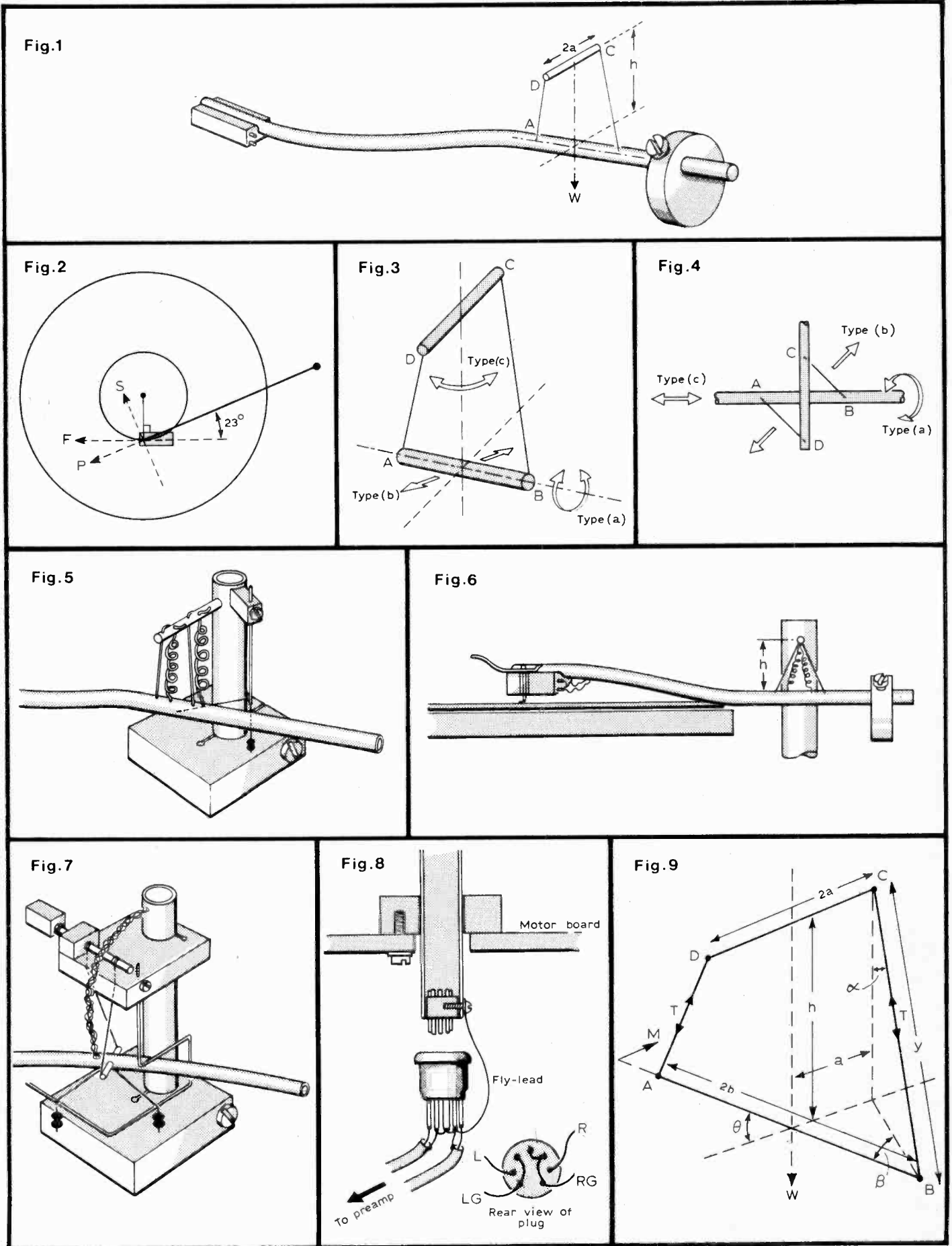
The crunch

The effective mass M_e of a pick-up arm (moment of inertia divided by the square of its length) and the compliance C of the cartridge combine to give a resonant frequency f of bounce on the stylus suspension, according to

$$f = \frac{1}{2\pi \sqrt{M_e C}}$$

I have read³ that f should be kept between 6 and 14Hz and to achieve this with the range of cartridge compliances likely to be met, the arm less cartridge should have an effective mass of 7 to





10gm. Generally speaking, this implies a fairly massive counterweight kept close to the pivot point. This is because inertial moment and therefore effective mass is proportional to the mass of the counterweight but the square of its distance from the pivot.

There is, however, a counter constraint. If $M = Wa^2/h$, we may have to keep W down to keep a and h convenient and still have the right M . In the event, it has been quite easy to keep the effective mass in the 7gm region with an all-up W of 58gm, and if we take a as 3/16 in (i.e. the threads are 1/8 in apart), then h becomes about half an inch. This can be increased to 1 in for a value of 1.8 for M . However, if you want to increase M , I think it would be better to increase 'a' than reduce h much more, otherwise the stress on the wire may be excessive (see Appendix 3).

It wobbles

You might think that, dangling there on the end of its thread, the arm would be rather unstable. You are right. However, analysis shows that the wobbles are predictable and amenable to control.

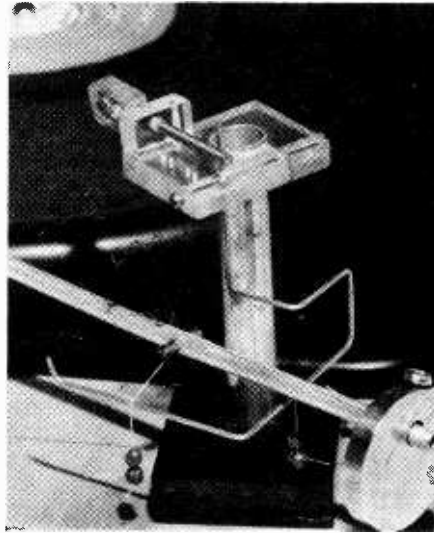
Going back to the first principle, there are three modes of oscillation in the system that cause trouble, Fig. 3.

A – The lower rod AB can rotate about its own longitudinal axis.

B – The lower rod AB can swing at the end of the two threads moving in tandem about an axis at right angles to the projection of the two threads in plan, Fig. 4.

C – The lower rod AB can swing about the upper rod CD and its longitudinal axis.

Not sure which would be the best orientation for the threads, I made two arms. In the first, Fig. 5, the lower rod AB forms a part of the rod itself. The four signal wires emerge from small holes in the arm tube. Two of the wires actually carry the arm. The remaining two are loosely coiled to contribute as little torsion as possible. The wires are held firm in the arm by simply tying a large knot which jams in the hole, just behind the cartridge, through which the wires enter the arm. At the other end the wires are 'knitted' into a tubular hollow cross tree. The suspension height can be varied by tweaking the wires in and out of the holes. This cross tree is now the upper rod CD. It acts as the pivot axis for vertical movement of the arm. So we have no trouble from the type (c) wobbles. Type (a) wobbles do happen. This is because the centre of mass has to be below the line joining the stylus tip and the support point on the arm, to stop it falling over. So you end up with a sort of compound pendulum. This wobble is difficult to eliminate. By keeping the centre of mass quite low down the period of oscillation is kept long and partially damped by the soggy-ness of the support wires. The method used for damping type (b) wobbles helps a little too, but I found



Second arm has its own cross-member and uses nylon threads.

that jolts on the turntable can set it wobbling. However, the movement only lasts a second or so and, more important, does not cause any audible modulations. Wow.

Type (b) wobbles are the worst. I found the easiest way to control them was to drape some cotton thread over a piece of wire and fix one end to the pivot point of the arm. The other carries a small weight. The two or three 1/8 in lead split shot do quite well. The friction of the thread running over the wire seems to be enough to damp them out completely. As the arm is only free to wobble in one direction, one thread and weight is enough.

The disadvantages of this arm are that the vertical pivot point can be rather high above the surface of the record for low tracking weights and small anti-skating forces, Fig. 6. Also bias adjustment is rather fiddly and so rarely undertaken. On the other hand it is simple and neat and performs well with a G820SE tracking at 1 1/4 gm, 2a 1/8 in and h 1 in.

In the case of arm number two, the suspension is turned through 90° about a vertical axis, Fig. 7. The arm itself has to have a cross tree to take the ends of the support threads. These threads are 1 1/2-lb breaking strain nylon monofilament. This has very little inherent damping property so I had to be a bit more careful. The cross tree acts as the axis for vertical movement of the cartridge, and so type (a) oscillations do not happen. Both types (b) and (c) occur in this arrangement, the last-mentioned taking the form of the whole arm swinging about a line joining the stylus tip and the upper end of the support threads. These wobbles caused considerable wow and flutter when left undamped and required two threads of the type already described, at right angles to each other, to damp all

tendency to movement in the horizontal plane. They are completely effective but the wire frame to carry them is a bit of a contorted shape. With its easily adjusted suspension, height and therefore bias compensation, very low friction and complete lack of wobbles this arm is magnificent but looks very Heath-Robinson-esque. I use it at present with an ADC Q36 tracking at 1 1/4 gm again.

Both arms were simple to make but incredibly fiddly to assemble and set up. The horizontal pivot point does not stay in one place as the arms move across the record, variation in the friction component P along the arm causes some change. This, however, is not a problem as long as the arm is set up to give zero tracking error at the end-of-side, as is usually the case.

Friction

To keep friction low the important thing is to use sufficiently fine lead out wire, and finding it was a bit of a job. Writing to SME for a free sample would be admitting defeat so I kept looking. For arm number one I found some four-way screened and sleeved wire supposedly for pickups, but stiff as a salami. However, when you strip off the sleeving and screening, you get four pretty coloured p.v.c. covers each containing 10 strands of 47-gauge copper wire, untinned, and these are quite flexible.

For the second arm I used 3 x 48g Litz wire, enamelled and silk covered. This is about as fine as one would wish to use, somewhat fragile and a trifle tricky to solder. Four pieces are cut to length and then given different colours with fibre tip pens.

Measuring lateral and vertical friction is a bit of a problem because of the constant lateral moment. However, I must confess to not having seriously tried. Inspection of the only sources of friction, the lead-out wires and nylon support threads, would I am sure convince the reader as it did me that in the case of arm number one the friction at the stylus is approximately sweet F.A. and with arm number two, even less.

Materials

Arm: You can buy 12-inch lengths of 10-gauge fine-wall aluminium tube from any good model shop for about 10 pence. It weighs about 5 gm and can be bent with bare hands. It is quite strong, too. It is 3/16-in o.d. and nine-inches serves for the arm, the remaining three inches take the counterweight.

Counterweight: I used about 1/4 in of 1 1/4 in brass bar. Aim for about 1 1/2 oz weight.

Support pillar: 1/2 in aluminium tube from Band I TV aerial.

Cartridge retaining clip and finger lift: 16-gauge aluminium sheet.

Support base: I happen to have some green perspex $\frac{1}{8}$ in thick and some clear $\frac{1}{4}$ in.

Arm 1

Cross tree: 12-gauge brass tube from model shop.

Arm 2

Thread carrying platform: $\frac{1}{4}$ in clear perspex and 6BA threaded brass rod.

Cross tree in arm: 10-gauge welding rod.

Damping frame: 18-gauge steel wire.

Various 8, 6 and 4 BA screws and nuts, and that is about it.

Construction

I can say nothing that will improve on the constructional information published by *HFN & RR* and *WW* in the past⁴ and construction of this arm is clearly much indebted to the work of Bickerstaffe. The March and April 1971 articles are particularly useful as regards the arm itself and I will not try and improve on them. Suffice it to say that the arm must be bent to give a 23° offset angle and the pivot region should be on the same horizontal plane as the stylus tip. As cartridges tend to vary a bit in dimensions it will have to be set up for the individual case. The head is undercut, and various holes are started off with a sharp metal spike. The tube wall is very thin; once it is penetrated the actual-size hole can be made with an appropriate drill worked between finger and thumb. In the case of very small drills, wrap the shank in scotch masking tape to a thickness of $\frac{1}{4}$ in. I found this the most accurate and least damaging way to cut holes in fragile tubing.

A hand vice is required for drilling all the other components. Brass and perspex both tend to snatch when being drilled. Low revs and a very slow feed rate are essential. Even so I frequently saw the hand vice whirling round the drill shank at 900 rev/min. The drill would be well and truly bent and the vice and workpiece then hurled through the window, or worse into one's guts.

Threading the signal wires into the arm is fairly straightforward if one uses nylon thread or 5-amp fuse wire to pull through. Similarly the hollow cross tree in arm number one. In arm two, the solid cross tree is glued into the arm with Araldite.

The support platform in arm two is fiendishly hard to set up the first time but easier when you know how. Assemble the height-adjustment screw in the platform. Take a good foot of nylon line. (You only need a foot but you have to buy a hundred yards; still, it's cheap enough.) Form a blob at one end, about $\frac{1}{16}$ in diameter, by holding the end near a gas flame. This is a finicky task and you burn through a few foot lengths of line before you get a good secure blob. Now pass the unblobbed end down

through one hole in the screw, a hole in the perspex platform immediately below, then up through the adjacent hole $\frac{3}{8}$ in away and up through the appropriate hole in the screw. Now form another $\frac{1}{16}$ in blob at the other end of the line. Carefully turn the adjustment screw and the nylon line should fit neatly in the grooves in the screw. Three full turns gives about an inch adjustment.

Fit the platform to the support pillar and pass the nylon loop under the cross tree in the arm. The arm will already have its signal wires inserted. The wire can now be threaded through the support pillar.

It would be nice to terminate the wires in a smart plug-socket arrangement at the bottom of the support pillar. After a long search I found a miniature seven-pin plug/socket that does reasonably well, Fig. 8. I filed the threads of the plug part and soldered the arm wires to it. It just fits in, and is retained in the bottom of the pillar by an 8BA screw. The screw also carried a fly lead to earth the pillar itself. (The arm is earthed by a fly lead from one of the cartridge earth tags.) The socket part is soldered to the twin screened lead which leads to the amplifier.

There is a lot of unscreened signal wire floating about. I was worried about this and made up some screening cans from aluminium film canisters. However, during use I found that they made absolutely no difference and with the cartridges I use and 68-k Ω input impedance at the preamp there is no hum at full volume. So I threw the screens away.

The pillar base is a sandwich of green perspex top and bottom and clear in the middle. Total thickness $\frac{1}{2}$ in. The whole is solvent welded with chloroform. You can get this from your chemist but you will have to sign the poisons book.

Drill the $\frac{1}{8}$ in mounting hole $\frac{8}{32}$ in from the record spindle.

Further development

The pick-up arm can be suspended by any number of threads. If their upper ends are regularly spaced about the

circumference of a circle of radius a centred on the upper support, and the lower ends of the threads similarly fixed about a circle centred on the pivot point of the arm, then the couple on the arm, *ceteris paribus*, remains Wa^2/h .

The theoretical pivot for both lateral and vertical movement of the arm, is a point halfway between the centres of the upper and lower circles.

With regard to stability, there will always be one direction in which such an arm would be free to wobble. It will therefore require one stabilizing thread arranged as in the Type I arm. The lateral stability will be enhanced however.

A simple way of making such an arm will be to use a modified Type I arm with all four signal wires doing the supporting. The stress on the wires, and their slight tendency to creep will be correspondingly reduced.

Conclusion

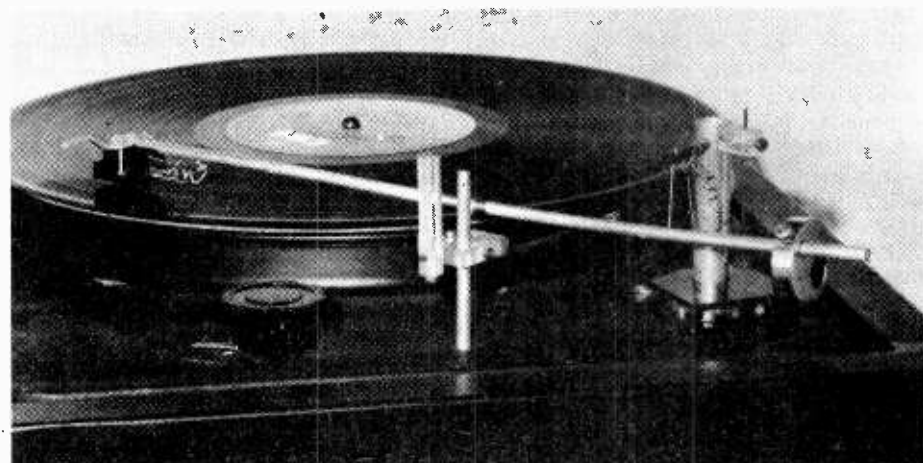
They might not require a lathe, but instead require extensive wrestling with almost invisible bits of wire and thread. However, they work, and better than I had ever hoped. They are not beautiful, but they have a certain rustic charm. They are certainly cheap.

References

1. Bickerstaffe, J. Torsional stability and the unipivot, *Wireless World* vol. 72, 1966, pp.23-6 & 62-7. Building a woggle arm, *HFN&RR* October 1971.
2. Bartholemew, David. Unipivot arm. *HFN & RR* April 1972.
3. Snell, R. and Rangabe, A. Frictional drag and bias compensation, *HFN & RR*, February 1970.
4. Wright, J. S. Approach to pick-up arm design, *Wireless World*, vol. 73, 1967, pp.178-82.
5. Bickerstaffe, J. Pick-up arm design. *HFN & RR*, January to July 1971.

continued on page 64

Type I arm in use.



World of Amateur Radio

The power game

The power race that has taken such a firm grip on m.f. and h.f. broadcasting in so many countries (appropriately enough Babel, Iran now has a 2MW m.f. station) has not left British amateurs unaffected. Without wishing to be a spoil-sport one cannot help feeling that the authorities never foresaw the power levels that have been made possible by exploitation of (or misunderstanding of?) the Post Office ruling some years ago that British s.s.b. stations could use up to 400 watts p.e.p. output, although this was clearly *meant* to be directly comparable with the 150W d.c. input for a.m., f.m. and c.w. modes.

Today some British amateurs are using power amplifiers that for any mode other than s.s.b. would be rated at over 1kW d.c. input; for example the Heathkit SB220 which is usually listed as 2kW p.e.p. and the popular K2RIW design of a 432MHz stripline amplifier with two ceramic tetrodes, considered in the United States as a "kilowatt" amplifier. Such amplifiers often have two 4CX250B or 8930 valves for u.h.f. or two 3-500Z or similarly rated valves for h.f., with power supplies built to provide over 2.5kV at up to 800-1000mA on peaks, occasionally with heavy r.f. speech clipping to increase significantly the duty cycle of the transmissions.

While such equipment *may* be operated under legal conditions for s.s.b. it must be extraordinarily difficult to get them down to anywhere near 150W d.c. input when used for other modes. On u.h.f. such equipment, combined with high-gain aerials, can provide effective radiated powers as high as 50-100kW, without taking into account the clipping "gain".

Again, the more stringent power limits imposed by our licences for 1.8MHz (10W d.c. input and on s.s.b. 26.67W p.e.p. output) do not appear to prevent many amateurs using on that band medium power h.f. transceivers that have no facility for reducing power and which, I am assured, often cannot readily be operated within the authorised power levels. An American 1.8MHz enthusiast, recently visiting the UK, was prepared to identify certain

Top Band signals he hears regularly and is convinced do not emanate from 10-watt transmitters.

If only to sort out the current confusion, and if the Home Office have no objection to the use of high-power transmitters for s.s.b., should they not authorise at least a similar legal 400W p.e.p. output for c.w., f.s.k., and n.b.f.m.? Or is this a case where it is left to "self-regulation"?

Many amateurs believe that our radio and tv set makers could do more to make receivers, broad-band mast-head amplifiers and audio equipment far less susceptible to high r.f. fields — but it is asking a lot for domestic equipment to be capable of operating directly in a 100kW e.r.p. beam of a nearby transmitter.

At the other end of the scale, David Johnson, G4DHF, recently made more than 40 contacts on the 144MHz band during a low-power contest at distances up to 300km: he was using a home-made transceiver based on the SL600 series of integrated circuits with an r.f. output of about 25mW.

Scanning the bands

The British Amateur Radio Teleprinter Group reports a membership increase of 40 per cent during the past year to over 550. John Jones, GW3IGG, suggests that the advent of visual display units for "teleprinter" display has brought many new operators to r.t.t.y., even though most stations are currently still using hard copy machines for two-way contacts, and he wonders if the increasing interest in such display units and microprocessors is beginning to make the very term "radio teleprinting" seem too restrictive for modern usage. Reginald Wigg, G6JF, has worked some 136 different countries on r.t.t.y. and is the top British station in BARTG's "quarter century award" listings. Leading station is the Belgian ON4BX with 154 countries. Brian Hodgson, G3YKB, has taken over the editorship of the group's newsletter (now appearing in an attractive new format) in succession to Dennis Goacher, G3LLZ who has produced the newsletter for eight years.

The Home Office has now resumed licensing the additional amateur repeater stations forming "Phase 2" of the RSGB's current plans but has stated that it is not prepared to consider any applications beyond this present phase for the time being. It has expressed concern at the high sites being chosen for some of the repeater stations. However, preliminary planning for Phase 3 is continuing. With London now served by three u.h.f. repeaters, the UK FM Group is considering closing down the GB3LO v.h.f. repeater which continues to be subject to many abuses by a group apparently wishing to bring repeater operation into disrepute.

French beacon stations have been allocated the prefix "FX" and will

include: FX3TEN on 28.227MHz; FX3VHF on 50.1MHz; FX0THF on 144.741MHz; FX3THF on 144.905MHz; FX7THF on 144.985MHz; FX9UHF on 432.5MHz; FX4UHF on 432.83MHz; and FX6UHF on 432.870MHz. French v.h.f. activity generally appears to continue to increase rapidly as indicated by the recent story of 200 stations on 144MHz, 36 on 432MHz and 3 on 10GHz for their 1977 National VHF Contest.

A novel constructors' contest has been announced by the East London RSGB Group. This is for home-constructed items of audio, electronic or radio equipment "totally enclosed by a 2oz tobacco tin with lid." Optionally the power supply need not be enclosed in the tin.

H.F. transmitting aerials

Bob Haviland, W4MB, recently analysed the aerials used by 500 stations contacted on 21MHz. Just over half were using Yagi beams (80% of them 3-element, 5% 2-element); second most popular group were the verticals (mostly multiband types using traps); just under 15% were various forms of "quad" loop arrays (nearly all of them 2-element); dipoles (including inverted-vees) formed 12% of the total; "long wires" only 1.8%. Height of the elements varied from 10ft to over 120ft (12% over 80ft, average 10ft). In Europe the simpler aerials form a higher percentage of the total. A check on 100 stations on 14MHz and above showed 38 using ground-planes and other "verticals"; 31 were using various types of dipole (including W3DZZ trapped dipoles and G5RV multi-band dipoles); only 13 were using 3-element Yagi arrays; 7 were using 2-element "quads".

In brief

The 1978 president of the RSGB will be Dr Dain S. Evans, G3RPE, who for a number of years has been one of the leaders of the "more activity on microwave bands" group that has done much to popularise 10GHz in the United Kingdom. . . . By August 31, the number of UK amateur licences had risen to over 22,750 (Class A 16,205; Class B 6559) ITU international prefixes now include J3 for Grenada and H4 for the Solomon Isles The Braun SE401 series of 144MHz multi-mode transceivers is believed to be the first commercially-built amateur equipment to use a v.f.o. which used a 64µs PAL-type delay line as an integral part of a stable phase-locked-loop system It was exactly 50 years ago, at the Washington Radio Conference of October-November 1927, that 350 delegates of 74 countries first defined internationally the harmonically related amateur bands from 1.7 to 56MHz.

PAT HAWKER G3VA

Letters to the Editor

CONTROL OF SOLAR HEATING

Congratulations to Mr K. D. C. Passey (Letters, October issue) for highlighting the importance of an electronic control system for solar energy pre-heating of domestic water. However, it is also important that the complexity of any control/recording system be kept within practical limits, so that the extra cost of the control/recording system and its maintenance does not exceed the extra saving over a less sophisticated electronic control.

The necessity for limiting pressure drop due to lime deposition may of course be avoided completely by using an indirect solar heating system.

We are at present conducting tests on a prototype electronic control system specifically designed for solar applications, which uses a true double differential technique, where the pump "turn-off" condition is determined completely by the pump requirement and the selected flow rate. It would be quite possible to monitor various functions by connections to points within the circuitry and to have a display panel some distance from the control proper.

We plan to start work in the near future on a control system based on microprocessor techniques which should certainly afford the user the kind of assistance advocated by Mr Passey.

F. B. McKee
 McKee Solaronics Ltd.
 Southminster
 Essex.

MATRIX H SURROUND SOUND DECODING

In commenting upon certain statements in Michael Gerzon's multisystem and J matrix decoder (July issue), might I point out that not everyone can afford room-space or expenditure for two stereo speakers, let alone the four or six proposed for the J matrix. Popularly, stereo listening is being accomplished on headphones (two or four channel).

$$\begin{bmatrix} L \\ R \end{bmatrix} = \begin{bmatrix} 0.53 e^{-i7.5}, 0.36 e^{+i73}, -0.53 e^{i7.5} \\ 0.53 e^{+i7.5}, 0.36 e^{-i73}, 0.53 e^{-i7.5} \end{bmatrix} \begin{bmatrix} 1 = \text{omni} \\ \cos\theta = \text{fig. 8 (iii)} \\ \sin\theta = \text{fig. 8 (ii)} \end{bmatrix}$$

Since the phase-shift between left and right channels does not significantly widen the subjective "stereo-head-phone" stage width in the same way as when listening on conventional stereo loudspeakers, it is thus important that the encoding locus should pass through left-only and right-only if only to achieve good compatibility for the many thousands who listen to f.m. stereo (H "quad") on headphones. It is thus not an "unnecessary design restriction" as Mr Gerzon seems to suppose. At least SQ and (in theory) RM, QS and BMX (Nippon Columbia UD4) also give full headphone separation in stereo at least for pop-surround and dramatic programme material, some broadcasts of which have been surprisingly impressive on "binaural" listening.

Secondly, the deliberate curvature of the H matrix locus allows non-conjugate decoding or at least some measure of compatibility when using decoders of other systems, e.g. even a simple "10-40" blend SQ decoder may be used if the connections to speakers are rearranged. Connections are: SQ-L_B becomes approximately equal to H front, SQ-R_B becomes H centre-back (two speakers in series in the left-back and right-back positions can be fed with this "ambience" signal, which in theory contains little matrix H centre-front since SQ (blend) right-rear is almost 160° from the front on the phase-amplitude sphere), SQ-L_F becomes H due left, and SQ-R_F becomes H due right.

The deliberate curvature of the H-matrix locus is by no means caused by a departure from "optimal" three-information-channel source encoding. For instance, the bent locus is produced by the matrix below from only three microphones: (i) omni-directional plus (ii) figure-of-eight oriented left-right plus (iii) another figure-of-eight oriented front-back, approximately as below, θ measured clockwise from centre-front.

(The equation is covered by the BBC patent.) Thus it follows that since H does not have to be produced from pairwise-panpot four-channel sources, the "third-matrixed (narrowband) channel" technique to restore most of the 3-2 channel matrix "lost" information is as applicable to H as to J; and is not therefore a function of locus-straightness as has been suggested by Mr Gerzon *et al.*

Finally, the difference in rate-of-change of curvature (phasebending) between the front-half H locus and the rear, could well be the reason that stereo headphone listeners can get some impression of front-back stereo perspective.

T. W. J. Crompton,
 Crawley,
 Sussex.

RADIO AND AIR SAFETY

Letters printed in your August, October and November issues brought to my attention the editorial in your June issue "Radio and air safety." As an experienced broadcast engineer with direct involvement in v.h.f. broadcasting and as an experienced and active airplane pilot, I tend to agree with the letters which you published. Your editorial is

based on an inadequate knowledge of aeronautical voice communications systems and equipment and the role of voice communications in air traffic control.

There is nothing inherently wrong with a.m. mode or with 2.7kHz bandwidth. My experience with audio quality on 747 class civil airliners and all the control towers that I hear is that audio quality is quite good and background noise level is low. There may be problems with aircrews whose command of the English language may be less than is desirable. There may be faults in the system, i.e. the architecture of the communications system, which is a "party line" - no control on "access" to the communications channel. Basic aeronautical transmitters and receivers are OK. We may not be using them properly all the time.

I suspect the final Tenerife accident report will show that the reception of one of the control instructions was partially "blocked" by another aircraft transmitting at the same time. This is not a fault of the equipment but rather one of "system architecture." The Tenerife communications channel was not noisy or significantly bandwidth limited.

I. Switzer
 Switzer Engineering Services Ltd
 Mississauga
 Ontario, Canada

USING A MICRO-PROCESSOR

There are some difficulties in using the 8080-based microcomputer discussed in J. Skinner's article, "Using a Microprocessor" (June and September issues).

The interrupt input to the 8080 is wired to a switch (START) which is used to allow the 8080 to get past the halt instruction (HLT) at address 5. For this to operate properly it is necessary to have an interrupt instruction port wired to input a single-byte, eight-bit instruction to the 8080 during the interrupt acknowledge cycle. This is not shown. It is readily accomplished with another 8212 integrated-circuit. A no-operation (NOP = 00₁₆ = 000₈) should be the instruction hard-wired at the interrupt instruction port.

Mr Skinner's 8080 configuration may be useful in some applications, but it eliminates the use of the interrupt for other, more sophisticated tasks. Perhaps there will be further articles which cover this important topic. If interrupts are to be preserved a sense flag could be used to replace the interrupt connection. In this way a single bit is input and tested under software control. This requires the use of a spare bit position at an input port. If this is not available, a single input port is quickly constructed. Mr Skinner's circuit is simple and just what may be needed for a simple application where thousands are to be manufactured without further changes or add-ons. Readers should be aware, however, that there are other uses of interrupts.

After providing the register codes in three-bit octal (base eight) notation it is sad to see that the programme is encoded in hexadecimal (base sixteen) format. This is not Mr Skinner's fault, but rather the fault of all 8080 manufacturers. The octal format is much easier to encode and understand.

As per the information in Table I in the article, each of the 8080's registers is given a

three-bit binary code which is easily translated into an octal equivalent, $A = 111 = 7_8$, $\bar{D} = 01\bar{0} = 2_8$, etc. The data transfer instructions provided in the article are good examples of the use of octal notations.

The data transfer between registers is broken down as follows:

$$01\ ddd\ sss$$

where the *ddd* is the binary code of the destination register and the *sss* is the binary code of the source register. Each of the three groups shown above is then translated into an equivalent octal code:

- MOVAD = $01111010_2 = 172_8$
- MOVHA = $01100111 = 147_8$
- MOVLA = $01101111 = 157_8$
- MOVAE = $01111011 = 173_8$
- MOVEA = $01011111 = 137_8$

It seems much easier to code the instructions in octal than in hexadecimal. The last two examples prove the point by showing that when destination and source registers are interchanges, the octal digits representing the registers are interchanged in the instruction code. This is not apparent in hex notation; 7B to 5F.

Memory addressing is also simple, remembering the rule that memory is treated as 256 word blocks with a high address and a low address with the same grouping of bits as shown above:

$$XX\ XXX\ XXX$$

The rule is that when the low address goes from 377 to 000 the high address is incremented by one; 001 377 to 002 000, 125 377 to 126 000, etc.

I was pleased to see that Mr Skinner's programme listing is on a line-by-line basis as opposed to other programme listings which tend to cram too much on each line.

Jonathan A. Titus
Tychon Incorporated
Blacksburg
Virginia, USA.

DIRECT SENSING OF RADIO WAVES?

For some two years I have been plagued by clearly defined environmental "noises" which I have come to believe to be of electromagnetic as opposed to acoustic origin. Advertisements in the national press have yielded dozens of letters from people all over Britain who appear to experience similar phenomena which are often attributed to medical/psychological causes. My own observations, however, indicate that my sensation of "noise" is due neither to causes within myself nor to acoustic stimulation from outside.

In order to test my theory I wish to construct a tuner-amplifier to feed a loudspeaker or cathode-ray oscilloscope but since the frequencies are in the audio band (400 to 1100 Hz) the design of a suitable tuner presents some difficulty. Since my knowledge is limited and rusty, I would be most grateful to any interested reader who could offer me technical assistance. I shall be only too pleased to answer any letters.

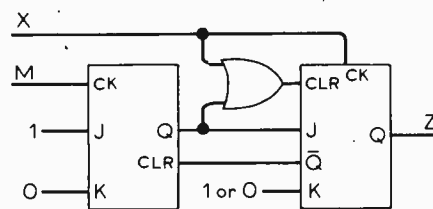
Donald Wood
Oaklands
Dorstone
Hereford

Editor's note: Mr Wood's letter was accompanied by a confidential report from a highly reputable research organization which lends some support to his belief.

MINIMISATION IN LOGIC DESIGN

I have been following your series of articles on logic design with interest, but find some of the underlying assumptions puzzling. The methods are said to be mainly for the use of inexperienced designers, although specialists may use them to improve their technique in dealing with more sophisticated assemblies. To this end a trade-off is presented where reliability, simplicity and transparency of design are won at the expense of a certain extravagance.

Minimisation is said to be relatively unimportant in the days of i.c.s, where what counts is to minimise chips, not gates. However, since the sort of circuit discussed can often be part of something larger, a single gate saved here and there can quite easily lead to the elimination of a chip. Nor do the extravagances seem to be always small. Take Example 2 in the July issue (p.65), a circuit which allows a pulse on input M to gate a single pulse from a train on input X to input Z. It uses, besides a dual J-K flip-flop, a 3-input NAND, two 2-input NANDS and two inverters. These can be replaced by a single OR gate as below (assuming t.t.l. clock polarities):



This configuration would never stem from the advocated design method for two reasons. First, it uses the Clear inputs. They were dealt with in connection with RS flip-flops but not included in the J-K equations - which hardly meets the practicalities of the t.t.l. and c.o.s.m.o.s. families. Secondly, the method assumes common clocking.

Example 1 is more debatable. Unless I have misunderstood the problem, state S3 is stable because its effect is to inhibit further clocking pulses. If so, the authors have demonstrated the vulnerability of their method in even the most expert hands by wasting four gates (quite possibly a chip) in providing redundant stability, since their circuit would work with $K_A = 6$ and $J_B = 4$. A further gate can be saved as shown below.

This is achieved by altering the assignments of A and B to the various states. The authors skate over that topic as not concerning the inexperienced designer: presumably they are not addressing themselves to their specialist readers at this point.

I imagine that in practice the inexperienced designer means the infrequent designer like myself. I have not found minimisation as

unimportant as the articles suggest. On the other hand, while I agree that the mathematical steps advocated are simple enough when you are familiar with them, familiarity involves remembering a lot of highly forgettable detail. Each occasional foray into logic is likely to involve mugging the whole thing up again, which defeats part of the object of the exercise. In contrast I have found mapping methods, which are not developed at length in the series so far, easy to remember and usefully graphic and instinctive.

R. M. Hutton
London SW4

The authors reply:

First of all we would like to point out that at no time have we suggested that minimisation of the number of gates or the number of chips used in a logic system is unimportant. Clearly, considerations of space and power consumption are two important aspects which the designer must balance against the charge for his time occupied in producing a simpler solution. However, what we are saying is that a formal method of approach to logic design is essential to the inexperienced designer and also to the student, whose difficulties we have frequently encountered.

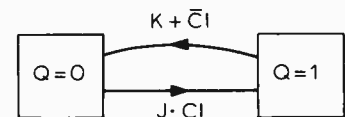
For example, the solution presented for Example 2 seems to us to be an intuitive solution. A design method has not been presented and we can only assume therefore that there isn't one. Intuitive solutions are fine if the designer can come up with one that fits the specification, but it is very useful to have a formal method of approach available when one's intuition fails. As the logic problem becomes more complex intuition becomes more difficult to apply and it seems to us that under these circumstances a formal approach to design through the state diagram is absolutely essential. Our experience with students has been that once they have grasped the design method described in these articles they are very quickly able to develop quite complex logic systems with a minimum amount of difficulty.

Obviously we are aware that the Clear line of a JK flip-flop can be used as an additional control line. It is not possible to cover all these points in a series of articles of this nature. However it is easy to set up a truth table for the JK flip-flop incorporating the Clear signal which leads to the following equations

$$Q^{i+n} = [C(J\bar{Q} + \bar{K}Q)]^i$$

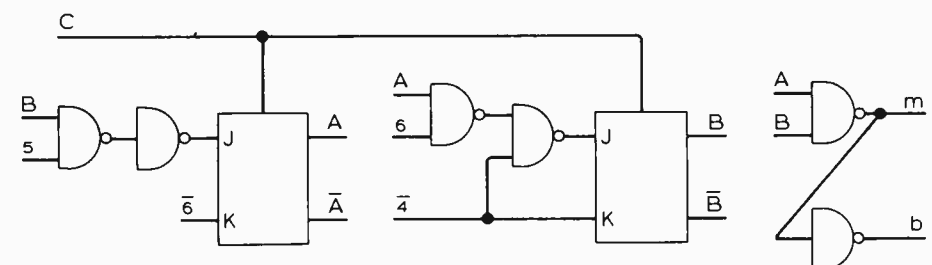
$$\bar{Q}^{i+n} = [\bar{C}(I + J\bar{Q} + KQ)]^i$$

and similarly it is equally possible to draw a state diagram for the flip-flop which



incorporates the Clear signal as shown above.

B. Holdsworth and L. Zissos



PROGRAMMABLE CALCULATORS AS REACTION TIMERS

My letter in the August issue on calculators as stopwatches aroused a little interest. Here is a project which grew out of the programme for the digital clock. The question arose: what are the minimum intervals of time to which the Texas SR56 can respond? My guess was: the time required to go from one operation to the next without performing any operation (a NOP instruction). How could this be used? In a reaction timer.

A programme was written in which the calculator displayed a count-down sequence: 5, 4, 3, 2, 1, using the "pause" instruction. We then had a counting loop in order to have a pause of length different from that of the intervals between the previous digits. "0" was then displayed for about ½ second, using the "pause" instruction. The person whose reaction time is under investigation has to press the R/S key immediately he realises that the "0" has disappeared. The programme has a string of NOP instructions after the instruction to display "0." When the programme has been stopped by pressing the R/S key, to find the score it is necessary to press the LRN key. This shows the location in the programme memory at which the programme was stopped. An operator who is quick on the draw scores a low number. If he cheats, and presses the R/S key while "0" is still in the display, he reads the location after the "pause" instruction, which in my programme is stored at location 14.

Locations 15 to 94 have NOP instructions. It takes between 1 and 2 seconds to run through them; this gives an idea of the resolution of which the calculator is capable. At location 95 we have a few instructions to set up the calculator for another run. When the operator is ready for another test, it is only necessary to press the R/S key to start the count-down sequence.

In a group of students, the calculator can find the one with the best reaction time. Those with poor scores (including me) simply cannot – despite practice – bring them down to the score of a good sharpshooter. My interest was in writing the programme. I have not used it to study the effect of alcohol on my reaction. This one may be new to the wife.

The programme is entered after storing 5 in Register 0. The programme starts at location 00.

RCL; 0; PAUSE; dsz; 0; 0; 1; 0; STO; 0; dsz; 1; 0; 0; PAUSE; NOP. NOP; 5; STO; 0; R/S; RST at location 99.

If we wish to find the time necessary for a NOP instruction, we can write a programme with 95 NOP steps and a few instructions to add 1 to Register 1. We can run the programme for 60 seconds and stop it with the R/S key; we then note the contents of Register 1 (and the line at which the programme stopped). We repeat the programme with 50 NOP steps. We can then write two simultaneous equations from which we can find the time for a NOP instruction and the time required to add 1 to Register 1. In my calculator, the NOP instruction takes 0.0137 seconds.

Instead of a count-down sequence preceding the display of zero, we could arrange a slightly more demanding test. A programme is written which displays random numbers in

the range 0-99. Person A controls the test: person B is tested. A quotes a certain number, e.g. 57, which he has stored at a certain register. B observes random numbers appearing and, as soon as the chosen number has appeared and disappeared, he must press the R/S key as quickly as possible. After the chosen number has appeared, the programme branches to a series of NOP instructions; B's score is found, as in the first method, by pressing the LRN key. Of course, if the random number generator is arranged to give number up to 10 digits, the test is all the more exacting. With my programme for random numbers which may have up to 10 digits, we may have 18 numbers displayed in a minute, each display lasting between ¼ and ½ second. (Part of the time, when the calculator is crunching numbers, the display is blank.) Reading a 10 digit number in the available time, and deciding that it is, or is not, the specified number, requires a certain mental speed.

T. Palmer
Acton Technical College
London, W3.

SIMULATING BIRDS' GEOMAGNETIC SENSE

With some trepidation I refer to the magnificent correspondence entitled "Electro-dynamically induced e.m.f.," which spanned nearly two years from its inception in "Cathode Ray's" articles "Electricity and Magnetism?" (September and October 1974) via the spirited introduction of the aeroplane problem by Todd and Taylor of Brunel University (July 1975). May I engage the attention of those readers who would agree with C. R. Masson (Cambridge), "Cathode Ray," D. H. Preis (Harvard), B. J. C. Burrows (Culham), D. Midgley (Hull) and me! in order to help solve what seems like a very non-Wireless World problem – the geomagnetic sense in birds?

I have made a computer simulation of an "electrodynamic" model of bird flight. Due to wing-flapping the voltage-gradient varies, depending upon the instantaneous direction of the wing with respect to the direction of the geomagnetic field. The simulation resolves wing movement in three axes and the earth's field in two axes.

There are two effects, however, which I am unable as yet to incorporate:

1. What is the effect of the vertical electric field ($\approx 100 \text{ V.m}^{-1}$) upon the small computed voltage gradient induced in the wing (varying between $\approx -200 \mu\text{V.m}^{-1}$ and $+100 \mu\text{V.m}^{-1}$)? A simplistic argument runs like this: the external electric field is confined to the bird's surface, in the manner of Faraday's ice-pail, by induced charge. This charge gives rise to a leakage current which is limited by the low conductivity of the surrounding air to $\approx 10^{-14} \text{ A}$, and which varies with movement of the wings in common mode for both wings. I fancy that a more advanced treatment would suggest that movement normal to an electric field gradient invokes a magnetic field at right angles which would modify the apparent direction of the geomagnetic field.
2. A varying voltage gradient in a bird's flapping wing demands ion movement to provide a "displacement" or "polarisation" current along the wing. If one uses values for wing "external" capacitance of the order of 10pF, one is left with a value of displacement

current of $\approx 10^{-14} \text{ A}$ which is uncomfortably low although possible. I would like to think that there is some analogous internal capacitance, which describes the separation of charge carriers normal to the planes of equal internal voltage, which might have the effect of increasing this small displacement current. At any rate, the phase of this current appears to vary with the bird's heading, at a frequency of twice the flap frequency of about 7Hz in pigeons (i.e. narrow band f.m.).

As a matter of interest *New Scientist* describes bird navigation as "a central problem of avian biology!" Any offers?

B. Whatworth,
Addlestone,
Surrey.

LOSS OF INFORMATION CONCEPT

I have noted the comments in your August issue both in the leader and in Mr Greenbank's letter.

The first point you both make is that I did not express the "loss of information" concept (Letters, June 1977) in engineering terms, i.e. those that can be objectively quantified. However, in the context of a letter to a magazine I do not feel that this was the place to expand these ideas any further. This does not mean that we do not or can not measure "loss of information" objectively. Now, as in my previous letter, I do not propose to go into great depth on the measurement of "loss of information" but perhaps if any of your readers are both interested and suitably equipped they may care to try the following test which is one of many ways of ascribing a figure to "loss of information".

Submit the equipment under test to two signals, one of large amplitude which reasonably stresses the equipment and a second which is of higher frequency and smaller amplitude. At the output of the equipment under test the large signal is filtered out so that the smaller signal may then be examined. In this test one is concerned with distortion of the small signal during and after stress conditions caused by the large signal – for example, in the case of an amplifier, driving an electromechanical load.

The difference in dynamic range between the two input signals may be as large as 90dB. This test is the basis of a range of tests which can characterise the ability of a piece of audio equipment to reproduce a given dynamic range at one instant in time. This ability is crucial to the reproduction of music. I would propose however that conducting these tests on a piece of equipment after it has been designed is rather like shutting the garage door after the car has been stolen.

I was most interested by Mr Greenbank's disclosure that during amplification "latch-up" periods of 100% intermodulation occur. Intermodulation is a term that describes what occurs when two signals modulate each other, i.e. produce input dependent intermodulation products e.g. $f_1 - f_2$, $f_1 + f_2$, $2f_1 - f_2$ etc. As far as I have been able to observe when an amplifier is "latched-up" it does not respond to input signal in any predictable way.

J. Vereker
Naim Audio Ltd
Salisbury
Wilts.

AURAL SENSITIVITY TO POLARITY

I suspect that Dr Lipshitz (October Letters) and I are getting round to dealing with apparent misunderstandings rather than real differences of opinion on the question of polarity maintenance.

The polarity effects that Dr Lipshitz described do exist and have been known to exist for some 30 years and I discussed the generally accepted explanation. The waveforms of speech are known to be asymmetrical and either by coincidence or evolution the asymmetry just about compensates for asymmetry of the opposite polarity in the ear drum system. To maintain the compensation that nature apparently intended, it is necessary that our radio transmission systems maintain this polarity relation, a positive going sound pressure wave at the studio microphone producing a positive going sound pressure wave in the listening room. Polarity changes anywhere in the system will produce a change in the quality of the reproduced sound. However, the effect is subtle and I think that it requires equipment of professional quality if it is to be detectable.

I think Dr Lipshitz will agree that the experiments that he describes only tend to support this explanation.

James Moir
James Moir & Associates
Chipperfield
Herts

ADVANCED PRE-AMPLIFIER DESIGN

I found Mr Jung's letter in the September issue most interesting; it is gratifying to encounter someone who constructs and measures the circuit under discussion before commenting on it. However, I think it is important to distinguish clearly between the two types of restriction of output swing that occur at high frequencies in the type of disc pre-amplifier being discussed. It is, I think, better to stick with the accepted nomenclature and reserve the term "slew limiting" for that effect arising from the open-loop behaviour of an amplifier, and caused by finite currents charging and discharging compensation capacitance.

The other form of output restriction, which Mr Jung deals with under the same heading, is rather different, being peculiar to closed-loop amplifiers with significant shunt capacitance in the feedback arm. This is of course precisely the situation that occurs in an RIAA equalised input stage where the gain is designed to be relatively low so that a high overload margin may be obtained (assuming that a gain control of some kind is then placed before any further voltage gain). The core of the problem is that the feedback-loop shunt capacitance falls in reactance as the frequency being handled increases, and so an increasing current demand is placed on the output section of the amplifier; if this cannot be satisfied then a form of clipping results, and the output capability (and hence the input overload

performance) is restricted at the top of the audio spectrum.

The output structure of the disc input stage of the "Advanced pre-amplifier" is a simple emitter-follower; this is much better at sourcing current than sinking it, and so Mr Jung's graph shows a curtailment of output capability at full drive and high frequencies, indicated by the abrupt rise of harmonic distortion that is typical of clipping. Examination will show that deformation of the output waveform only takes place on the downward half-cycle, due to the limited current-sinking capability, and in this respect the effect is quite different from what is normally known as slew-limiting.

It is at this point important to note that "full drive" is some 40dB above the nominal operating level of the stage, so the effects discussed here are unlikely to be obtrusive in the day-to-day performance of the pre-amplifier. Mr Jung's graph shows that if the test signal amplitude is reduced by 12dB there are no output-restriction effects in the audio band.

Finally, I have tested the effect of Mr Jung's modification (reduction of R_e to 1k Ω), and while the graph he displays is certainly correct in its essentials*, I feel it would be more meaningful to plot maximum available output swing against frequency. If this is done, it will be seen that the modification has its maximum effect at about 6kHz, where another 3.2dB of output voltage is available, giving a corresponding increase in input overload margin. However, the improvement diminishes either side of this frequency, falling to 1.0dB at 1kHz and to 2.4dB at 10kHz. Readers must judge for themselves whether this is worth the extra 14mA drawn from the power supply; confirmed lily-gilders may care to note that the same improvement can be implemented without increase in the current drawn by replacing R_e with a constant-current source delivering 6mA.

D. R. G. Self
London E.17

*The distortion figures shown for below 3kHz seem rather high — in particular it is most suspicious that the t.h.d. at 1kHz is shown as being higher at 1.25Vr.m.s. than at 5Vr.m.s. I assume that the data shown includes the imperfections of the test equipment.

CEE22 MAINS CONNECTORS STANDARD OR FIASCO?

Do manufacturers of electrical equipment using the CEE22 mechanical size and shape connector have any requirement to use a particular pin configuration? Many of the mains leads for these equipments (if not the majority) are of the moulded variety, and consumers tend to implicitly trust these leads.

Although it is becoming less common, single pole switching is still in use and production. The danger lies in the fact that while the equipment is switched off or when the mains fuse is blown the internal circuit is still live if the live and neutral leads are reversed. God forbid the results if the earth lead is transposed!

To date I have found three different manufacturers issuing equipment with live/neutral transposed leads. Two of these put no names on the leads.

I hope more people can be made aware of the moulded lead quality control/non-standard hazard.

K. A. Yates,
Glenrothes,
Fife.

ELIMINATING ADJACENT-CHANNEL INTERFERENCE

I find the July 1977 issue article on eliminating adjacent channel interference by P. L. Taylor to be most interesting. I have been attacking the problem for some time and have also developed a system to attenuate in-band interference on double sideband transmissions. This has been demonstrated to operate well with in-band modulated carriers and numerous in-band tones. Noise is also reduced. However, I have been unable as yet to satisfactorily eliminate cross modulation between noise and the wanted signal, and, of course, depending on how noise theory is interpreted and extended, this may or may not be possible.

As the system is somewhat complex this is not the place for its description. However, I find the reactions that I have been receiving to it to be surprising and rather depressing, and unfortunately some of these reactions would also apply to Mr Taylor's design.

The first reaction from Canadian Government officials is that interference and noise do not pose any problem as current equipment provide noise-free reliable links. Next, the system only applies to double sideband transmissions. This form of radio communication is now obsolete and is being legislated out of existence to be replaced by single sideband. A reaction from Canadian industry is that it is too complex to warrant risking development money and would necessitate synchronous receiver operation which has proved unpopular in the past. From Canadian universities and research establishments comes the comment that the system cannot possibly work for noise because Shannon set the God-given limits twenty years ago and any suggestion that his theory can be developed to show more than 3dB advantage for double over single sideband transmission is rank heresy; common interference reduction is of no interest. Incidentally, the one exception here is McMaster University in Hamilton, Ontario.

Double sideband amplitude modulation produces a unique signal having a "mirror image" frequency spectrum and constant phase. Interference can be detected in very much the same way as used to be employed in old movies for a man to tell whether or hot he was real. If he saw his reflection in a mirror he was real, if no reflection was there he had to conclude that he was a ghost.

There is the possibility that a double sideband signal can be lifted out of interference and noise to an extent that is an order of magnitude greater than current communications theory implies. It is not that the theory is wrong, it is that it is limited. Mr Taylor's system shows one approach, my own shows another.

L. Illingworth
German & Milne
Montreal
Quebec, Canada

Microcomputer design

2 — Practical hardware and software

by Phil Pittman, B.Sc., in association with NASCO Ltd

Having now looked at the various elements which constitute a microcomputer system we shall move on to examine the detailed construction and operation of a practical system. The example chosen is based on the microcomputer kit shown as a block diagram in Fig. 1 (see panel in November issue).

This system is intended as a "home" computer kit for amateur and educational use. By using commonly available domestic equipment as peripherals, for example a standard television set for a display and an audio cassette player for storing and loading programmes, a low cost system has been produced. The Z80 c.p.u. connects to the memory and the i/o components via the three bus arrangement described last month. The $1K \times 8$ e.p.r.o.m. is programmed with a system monitor programme. This programme automatically starts running

when power is applied and allows the user to communicate with the system. Commands may be entered via the keyboard and interpreted and executed by the monitor programme. This then allows the system to function as a general purpose computer where user programmes may be keyed in to the r.a.m. memory for subsequent execution, again under control of the monitor programme. The monitor supports such functions as: entering information into memory, displaying memory contents on the tv screen, loading memory from cassette tape, storing memory contents on cassette tape, starting programme execution from any given memory address and stopping programme execution when a predetermined point is reached.

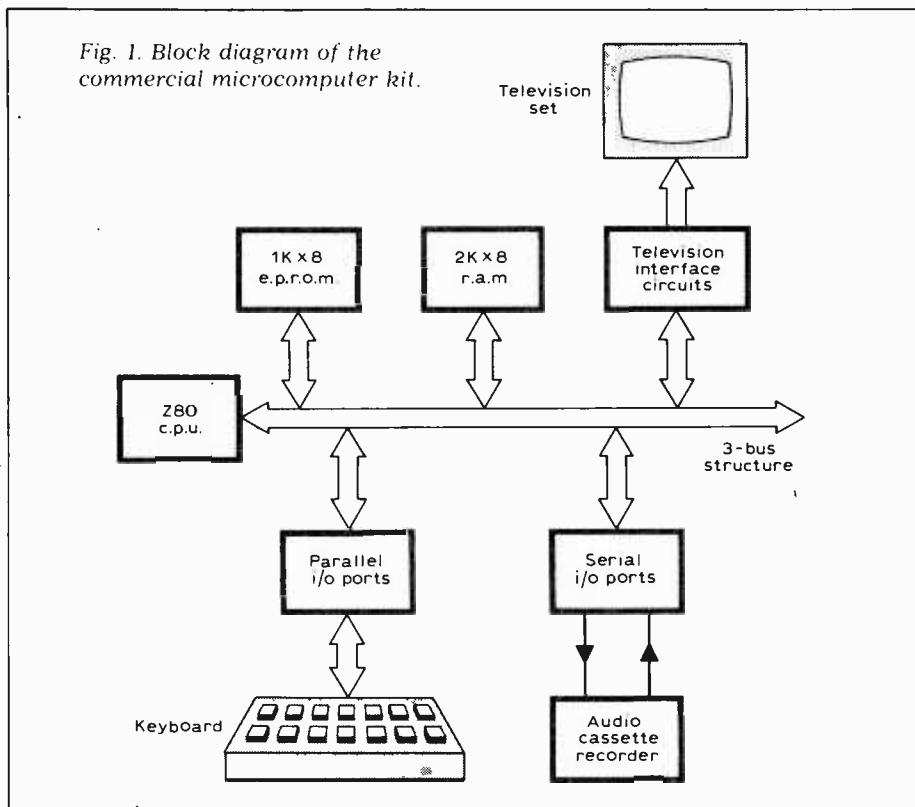
Although the entire $2K \times 8$ r.a.m. is available to the user of the system as a

programme or data store, $1K \times 8$ of it is generally reserved as a character store for the tv screen information. However, because this screen memory is accessible by any programme in the system it is possible to achieve some interesting graphic effects by this conventional video interface.

A serial interface is implemented in the kit in order to provide a serial data stream to and from the cassette system. The keyboard is connected via a parallel interface controlled by the monitor software.

The essential parts of this hardware system are shown in detail in Fig. 2. Before considering the operation of the system it is useful to examine the timing of a general Z80 system. Fig. 3(a), (b) and (c) show the bus timing relationships for a programme memory access, data memory access and i/o access respectively. Note that each c.p.u. machine cycle is made up of a number of timing states. A complete instruction cycle may consist of one or more machine cycles, each consisting of at least three clock cycles, depending on the complexity of the particular instruction. The simplest Z80 instruction requires four clock cycles (or "T" states). During the T_1 state the memory or i/o address is placed on the address bus. The "memory request" or "input/output request" signal indicates whether the address is for a memory or i/o operation. T_2 is the time allowed to retrieve the memory or i/o data. The data travels on the data bus during T_3 time. The "read" and "write" signals indicate whether a read (or input) or write (or output) operation is in progress. This control structure, although described for the Mostek Z80 microprocessor, is fairly general for most processors. Other signals, more specific to the Z80 operation, will not be described here.

Referring to the circuit of Fig. 2, notice that because each bank of memory is $1K \times 8$, the address decoding is relatively straightforward. To address 1024 memory locations requires 10 address bits and so lines A_0 - A_9 are common to all banks. In order to select



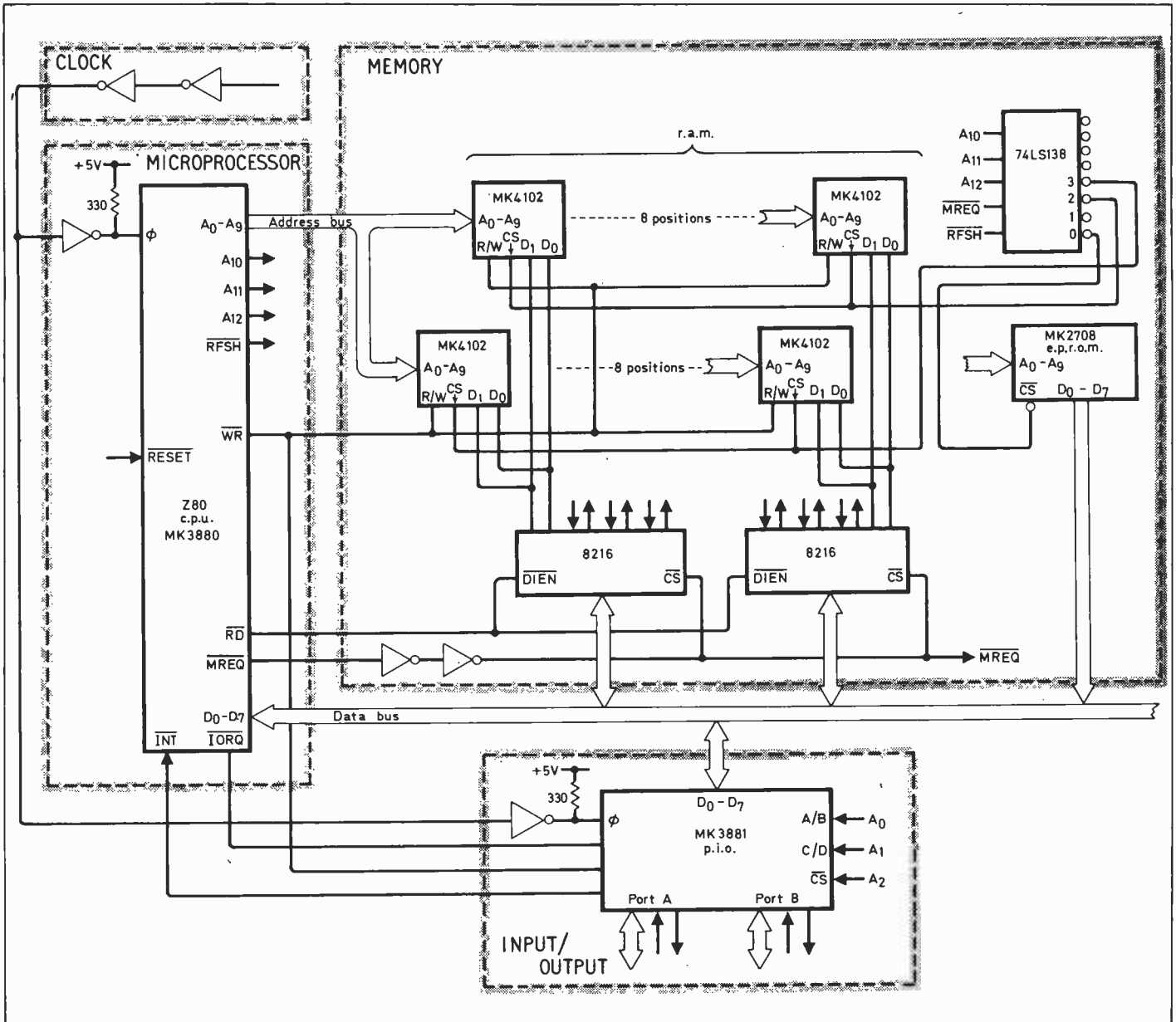


Fig. 2. Partial circuit diagram of the commercial microcomputer kit. Integrated circuits are labelled with their type numbers and other annotation corresponds to Mostek's technical literature. Negated names, e.g. \overline{MREQ} indicate that the function is active when the signal is low. At this stage it is not necessary to follow the circuit in detail.

the appropriate bank, lines A_{10} - A_{12} are decoded via a 3 to 8 line decoder. The resulting memory map is shown in Fig. 4. The monitor p.r.o.m. is located in address range 0-1K because on power-up or system rest, programme execution is forced to resume at address zero. Consequently this is a convenient method to automatically begin execution of the monitor programme.

Since there very few i/o circuits in the system an address decoding scheme is not necessarily required for these, i.e. port addresses may be chosen such that individual address bus bits can select the appropriate device.

So far we have looked at the basic hardware components of a microcomputer system, showing how they relate to one another. Although one particular application has been considered, the hardware arrangement is capable of being universal. However, without software the hardware has no "personality". Software gives life to the hardware and will form the subject of the following discussions.

Stored programme concepts

The previous section has presented the hardware of the microcomputer kit after developing some of the concepts involved in its design in the previous article. In order to perform any useful function, the hardware must be given a programme to be stored in the microcomputer's memory. This then gives the system a unique "personality". In the following paragraphs some of the basic principles of programme execution and programme flow are introduced. A summary of the use of the "operations monitor" programme of the microcom-

puter kit is included in order to show some of the facilities available for verification of programmes, once written.

Any computer programme exists as a sequence of instructions within the main memory of the machine. These instructions are sequentially executed by the central processing unit to perform the desired task. Each instruction is represented within the memory as a binary number, which is decoded by the c.p.u. in order that the instruction may be executed. The instructions to be used are selected, by the human programmer, from what is called the "instruction set" of the c.p.u. The instruction set is the repertoire of binary codes which the c.p.u. is capable, by virtue of its design, of "recognising". The Z80 microprocessor, for example, has an instruction set consisting of 158 basic instructions.

In order to run a complete programme the c.p.u. must go through a process of repetitively fetching instructions from the memory into an internal store called an instruction register (see Fig. 5 November issue) and then decod-

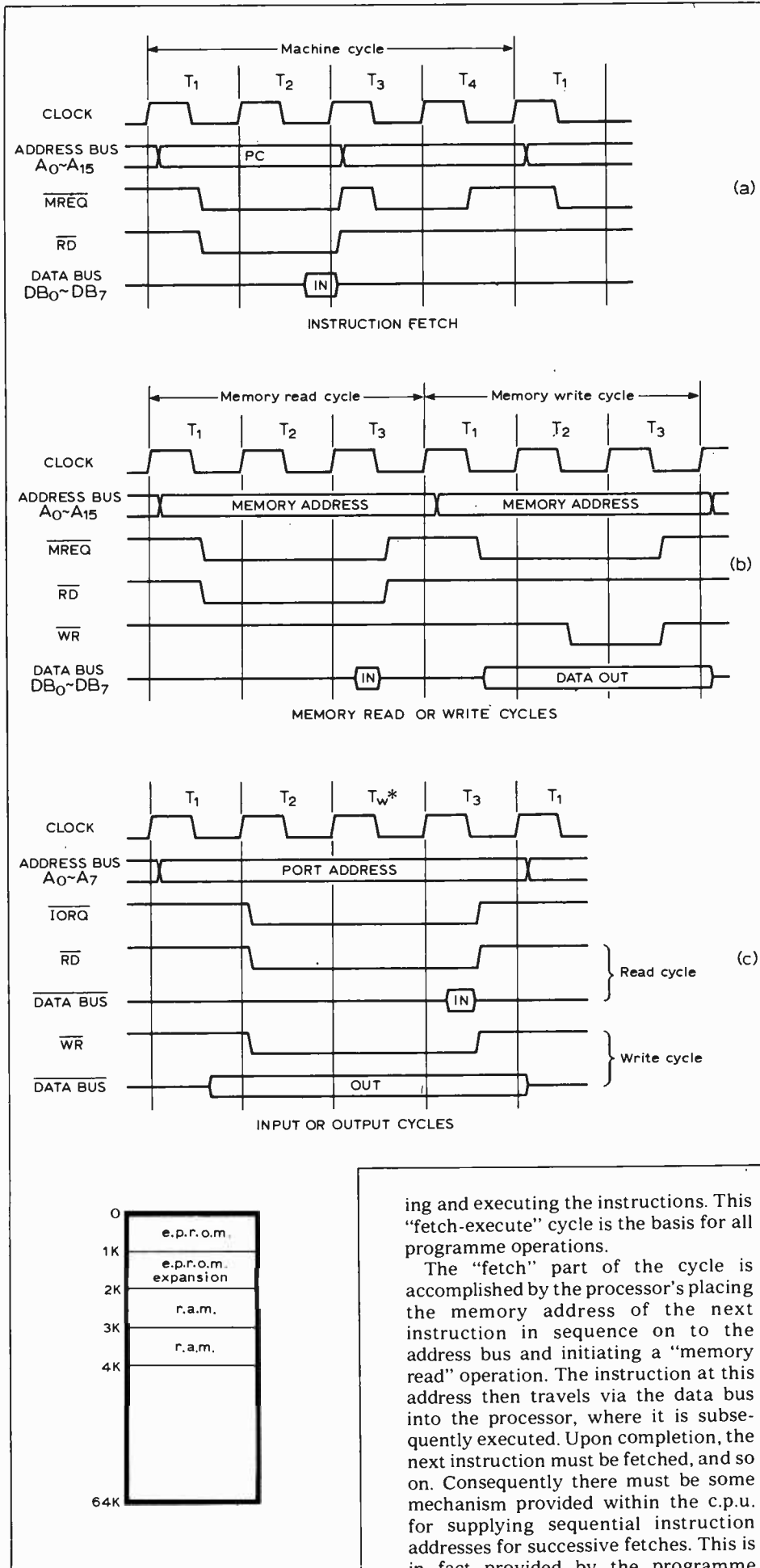


Fig. 4. Microcomputer system memory map.

ing and executing the instructions. This "fetch-execute" cycle is the basis for all programme operations.

The "fetch" part of the cycle is accomplished by the processor's placing the memory address of the next instruction in sequence on to the address bus and initiating a "memory read" operation. The instruction at this address then travels via the data bus into the processor, where it is subsequently executed. Upon completion, the next instruction must be fetched, and so on. Consequently there must be some mechanism provided within the c.p.u. for supplying sequential instruction addresses for successive fetches. This is in fact provided by the programme counter register. It is the contents of the programme counter which are placed on the address bus at the start of an

Fig. 3. System timing of the Z80 microprocessor, for (a) programme memory access, (b) data memory access and (c) i/o access.

instruction fetch. Then, before another fetch occurs, the programme counter is incremented so that the following instruction in sequence will be fetched next.

Once an instruction is in the c.p.u., the instruction decoding logic (Fig. 5, November) activates the appropriate internal circuits and an execution phase begins. Executing the instruction may be a completely internal operation within the c.p.u., e.g. performing an arithmetical, logical or data transfer operation on data contained in the microprocessor's registers. Alternatively, the execution of an instruction may require the movement of data in another area of system memory. If this is the case then the c.p.u. must put the new memory address on the bus for the transfer. This state of affairs may be further complicated by the fact that the data memory address may either exist in registers within the c.p.u. or may first have to be supplied to the c.p.u. from the "instruction memory", i.e. the programme memory may, in fact, consist of a mixture of instructions and data or addresses. The instruction contains a binary "operation code" which tells the c.p.u. exactly what to do during the instruction phase and whether to interpret subsequent information as data, address or a new instruction.

The following examples illustrate some of these possibilities. The c.p.u. has several internal 8-bit general purpose registers which will be referred to as A, B, C, D etc. Suppose we want to construct a programme to simply add the contents of B to A and then put the result into register C. A typical sequence of instructions could be

1. Add B to A
2. Load C from A

This simple programme requires two instructions as shown, each residing in one location of the programme memory.

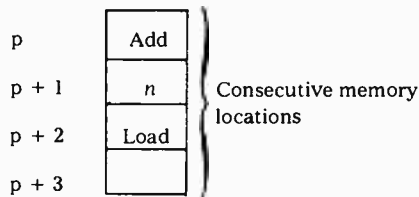
Since the source and destination of the data for each instruction are contained wholly within the c.p.u.'s internal registers, no additional information need be supplied during the execution phases of the instructions.

Suppose now that it is desired to add a constant, *n*, to the contents of register A and then again put the result into register C. The programme instructions could be:

1. Add *n* to A
2. Load C from A

This programme must supply the number, *n*, to the c.p.u. from the programme memory. Consequently the programme memory would appear as follows:

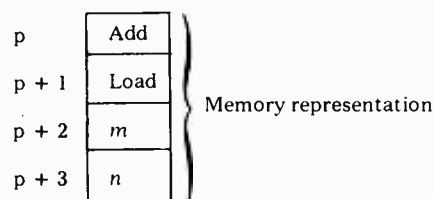
Address



This time, the number, *n* is embedded within the instruction stream and so a total of three memory locations is required for the two instructions. In the above examples the "load" instructions are identical, having the same data source and destination. However, the "add" binary instruction codes must be different in order to instruct the c.p.u. to get the data from the appropriate place. In the second example the programme sequence would be as follows: first, the programme counter contents (*p*) would be issued by the c.p.u. in order to fetch the "add" instruction. By decoding this the c.p.u. would then "know" that it must fetch data from the next sequential memory location. Now, during the execution of any instruction the programme counter will be advanced by one. Consequently the data address will be given by the new value in the programme counter. When this is fetched the c.p.u. completes the instruction execution and proceeds to fetch the next.

Another variation of this situation is given in the next example. Suppose it is required to add the contents of register B to those of register A and then store the result in another external memory location specified in the programme. The programme could be:

1. Add B to A
 2. Load memory address *mn* from A.
- The memory address *mn* may be typically a 16-bit number, therefore requiring two 8-bit memory locations. Consequently, the programme may appear as shown below:



This time the "load" instruction code instructs the c.p.u. that the destination address is contained in the next two memory locations and so the programme counter is incremented and sent out two more times before the c.p.u. has fetched all the information it requires. Now in order to complete the execution of this instruction, the address value (*mn*) must be sent out from the c.p.u., on the address bus, in order to access the required data memory location. During this cycle the data (contents of register A) is placed on the data bus so that it may be written into memory.

Table 1: Microcomputer kit software commands

T	ssss	ffff	Tabulate memory contents from address ssss to ffff
D	ssss	ffff	Dump memory to cassette from address ssss to ffff
L			Load memory from cassette
M	nnnn		Modify memory location nnnn
E	nnnn	or E	Execute programme (from address nnnn)
B	nnnn		Set a breakpoint at address nnnn
S	nnnn	or S	Single step execution (from address nnnn)

These simple examples have illustrated two important points: the way in which data and/or addresses may be included in programme instructions and how the c.p.u. is guided by the instruction operation codes into interpreting the sequence of information in the programme memory. The examples have shown how instructions are executed one by one, from start to finish of a programme. However, one of the principal features of a digital computer is its decision-making ability. In other words, the c.p.u. has the ability to select its own path through a programme depending on the results it gets from processing en-route.

In general this is achieved by certain instructions being able to examine the logical state of various bits within the a.l.u. Then, depending on these states, the c.p.u. may either continue with the next instruction in sequence or be diverted to a new area of programme memory. Diverting the c.p.u. in this manner is accomplished by loading a new value into the programme counter.

More specifically, the Z80 c.p.u. has, as part of the a.l.u., several single-bit "status registers" which remember conditions relating to the previously executed arithmetic or logical operation. These include the carry bit from the adder, an arithmetic overflow bit, an indication of a zero result, the sign (if relevant) of the a.l.u. result and an indication of the parity of the result in the a.l.u. Instructions in the c.p.u.'s programme "jump" group are able to interrogate any of these bits and either load the programme counter with a new value or leave it unchanged, depending

on the binary state of the particular status bit.

In the programme shown below the c.p.u. tests the value stored in register A to see if it is less than 10. If so it subtracts 6 or otherwise leaves the number unchanged:

1. Compare A with 10
2. Jump if carry = 1
3. Subtract 6 from A
4. Next instruction

Here the "compare" instruction has a similar effect to that of subtracting 10 from A although the A register contents will remain unaltered. However, the carry bit of the a.l.u. (effectively a 9th a.l.u. bit) will be set to 1 if the number 10 is greater than the contents of the A register. The conditional jump instruction can examine the carry bit and thereby decide whether to continue normally or to jump out of the normal flow to another point in the programme. The programme memory would look as shown below.

When the jump instruction is fetched, all three memory bytes, i.e., including the 16-bit jump address, will be read into the c.p.u. However, if the test is true then the value (*p + 7*) will be put into the programme counter causing the "subtract 6" instruction to be missed.

The instructions used in the above examples are but a few of the many which are common to most microprocessors.

Before continuing to look at further programme writing techniques it is relevant to complete the discussion of the microcomputer kit facilities by

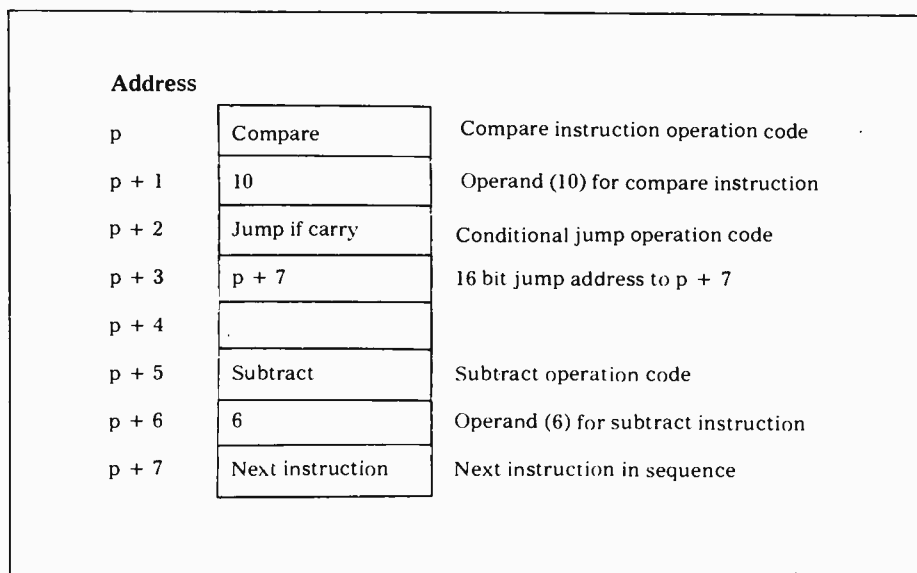


Table 2: Hexadecimal number system

Hex	Decimal	Binary
0	0	0000
1	1	0001
2	2	0010
3	3	0011
4	4	0100
5	5	0101
6	6	0110
7	7	0111
8	8	1000
9	9	1001
A	10	1010
B	11	1011
C	12	1100
D	13	1101
E	14	1110
F	15	1111

examining the features offered by the kit's own software package.

A practical software system

The 1Kbyte e.p.r.o.m. programme of the kit is intended as an aid to debugging and executing programmes written by users of the kit. This software supports seven basic commands as outlined in Table 1.

Before proceeding with a description of these commands it is useful to introduce the concept of the hexadecimal number system. When working at machine code level with computers it is obviously very tedious to work in pure binary notation since the numbers are very cumbersome and difficult to visualise easily. Similarly, it is inconvenient for the computer to work with a decimal system since binary bit patterns are not readily convertible to and from decimal numbers. Consequently a suitable compromise is the hexadecimal system which works to a base of 16. Here the symbols 0 to 9 are no longer adequate by themselves and six additional symbols are required for representation of hex numbers. These are chosen to be letters A to F of the alphabet. Table 2 shows the equivalent binary and decimal values for the hex digit set. The advantage now is that numbers can be easily converted between binary and a notation which is less tedious to write because each hex digit corresponds directly to 4 bits of the binary value. Table 3 shows examples of a 16-bit and an 8-bit binary conversion to and from hex.

The software of the kit uses this

number system for both displaying and entering numerical information. Each command entered via the keyboard by the user must consist of a single letter identifier followed in most cases by one or two 4-digit hex numbers. If two such parameters are required they must be separated by a space. The kit automatically generates the space between the letter identifier and the first parameter. To cause the command entered to be executed, the user must type a "carriage return" (cr) character. When the system is ready to accept a new command it "prompts" by issuing a full stop (.).

The "tabulate" (T) command allows the user to display the contents of the system's memory by specifying the upper and lower address limits concerned as part of the command. An example of this is shown in Table 4. Note that eight hexadecimal memory bytes are displayed per line, preceded by the address of the first byte on that line.

The "dump" (D) command works in a similar way but causes the information to be recorded on to the cassette tape system. As it does so, an additional item of data, called a "checksum" is calculated for each line of data. This checksum is not displayed but is recorded on tape for subsequent checking by the "load" (L) command.

The "load" command reads programmes or data from cassette and stores the relevant memory values in the system's memory at the addresses specified at the beginning of the information blocks. Checksums are again calculated by the processor and compared with those on tape. If they differ, the computer assumes that there has been a tape reading error and stops further loading. At this point the user can take whatever action is desired.

The "modify" (M) command allows memory locations to be examined or modified via the keyboard. Variations on this command enable the user to examine a single byte, replace it with a new value, delete a wrongly entered value, continue to the next consecutive memory address or terminate the command.

A programme "breakpoint," as it is called, may be set using the "B" command. A breakpoint is a very valuable facility when initially checking out a programme to see if it runs correctly. The address value given as part of the breakpoint command represents the point at which it is desired to stop a programme being executed. At

Table 4: Typical display format from kit

```
(.) T 800 813 (Entered by user)
0800 00 11 22 33 44 55 66 77
0808 88 99 AA BB CC DD EE FF
0810 A1 B2 C3 D4
```

this time, the kit software prints out the current contents of the c.p.u.'s programme counter and accumulator registers. Also, the remaining c.p.u. registers are automatically saved in r.a.m. so that they may be examined later with the "M" or "T" commands. In this way the programmer is able to "see inside", the c.p.u. chip at any desired stage in the programme and then modify the registers accordingly, if required, before continuing.

The "execute" (E) command is used to start execution of a programme from a desired address. If no address is specified with the command then execution will continue from the address which was in the programme counter before the previous breakpoint was encountered. Register values saved at a breakpoint will be restored automatically prior to execution.

The "single step" (S) command is similar to the "executive" command but causes only one instruction to be executed before stopping.

The above facilities enable programmes to be debugged on the kit in a way that would not be possible otherwise. The value of these will be illustrated in a more practical way in a future article on programme writing and debugging.

SPECIAL TERMINOLOGY

To access. The noun "access" used as a verb, meaning to gain access to a memory location in which binary information is already stored or can be stored. To open up a set of connections to allow reading from or writing into this location.

Instruction. An expression that defines a computer operation and identifies its operands.

Programme. A prepared list of instructions, written in a special "language" or code, to be carried out in sequence by a computer or other programmable device.

Instruction set. The total list of instructions that can be performed by a given microprocessor

Operation code. The symbols within an instruction that represent the particular operation to be performed (e.g. add).

Register. A small-capacity store intended for temporarily holding a small number of binary digits such as a word.

Jump. A departure from the normal sequence of instructions in a programme to a different part of the programme

Table 3: Examples of binary / hexadecimal conversions

(a)	Binary	0001	1010	1110	0110
	Hex	1	A	E	6
	Decimal	(1 × 16 ⁰)	+ (10 × 16 ¹)	+ (14 × 16 ²)	+ (6)
(b)	Hex	0011	← 3F →	1111	

Logic design — 10

This article is the second part of Article 7, which appeared in the September issue.

More synchronous and ripple-through counters

by B. Holdsworth* and D. Zissost†

*Chelsea College, University of London †Department of Computing Science, University of Calgary, Canada

Decade binary 'up' counter. Examination of the unused states in Fig. 5(a) shows that they can be represented by the Boolean function $BD + CD$

The flip-flop equations are the same as for the scale-of-16 'up' counter, namely, $J_A = K_A = 1$, $J_B = K_B = A$, $J_C = K_C = AB$ and $J_D = K_D = ABC$, with the modifications shown below, which are required to inhibit the S_9 to S_{10} transition and initiate the S_9 to S_0 transition.

The transitions from S_9 to S_{10} and S_9 to S_0 are shown below:

	D	C	B	A		D	C	B	A
S_9	1	0	0	1	S_9	1	0	0	1
S_{10}	1	0	1	0	S_{10}	0	0	0	0

To inhibit the set of flip-flop B, $S_9 = ABS_9$, where $S_9 = ABCD + (BD) + (CD)$. Simplifying: $S_9 = AD$, hence: $S_B = AB\bar{A}\bar{D} = A\bar{B}(\bar{A} + \bar{D}) = A\bar{B}\bar{D}$. Therefore, $J_B = A\bar{D}$. To initiate the reset of flip-flop D, $R_D = S_9 = AD$. Therefore, $K_D = A$.

If the counter should assume one of the unused states due to circuit misoperation then a suitable corrective action might be to suppress the clock

pulses and trip an alarm, using the Boolean function representing these states, $f = BD + CD$. A suitable circuit for suppressing the clock pulses is incorporated with the counter implementation in Fig.5(b).

A decade of binary 'down' counter can be designed using the same technique and the corresponding flip-flop equations are: $J_A = K_A = 1$, $J_B = \bar{A}C + \bar{A}D$, $K_B = \bar{A}$, $J_C = \bar{A}D$, $K_C = \bar{A}\bar{B}$ and $J_D = K_D = \bar{A}\bar{B}\bar{C}$. The output of a

binary decade counter can be converted to a decimal number using a 4-10 line decoder as shown in Fig.6.

Consider the transition in such a counter from 0001 to 0010 and assume that flip-flop B changes faster than flip-flop A. The sequence of changes that take place are:

D	C	B	A
0	0	0	1
0	0	1	1 (transient state)
0	0	1	0

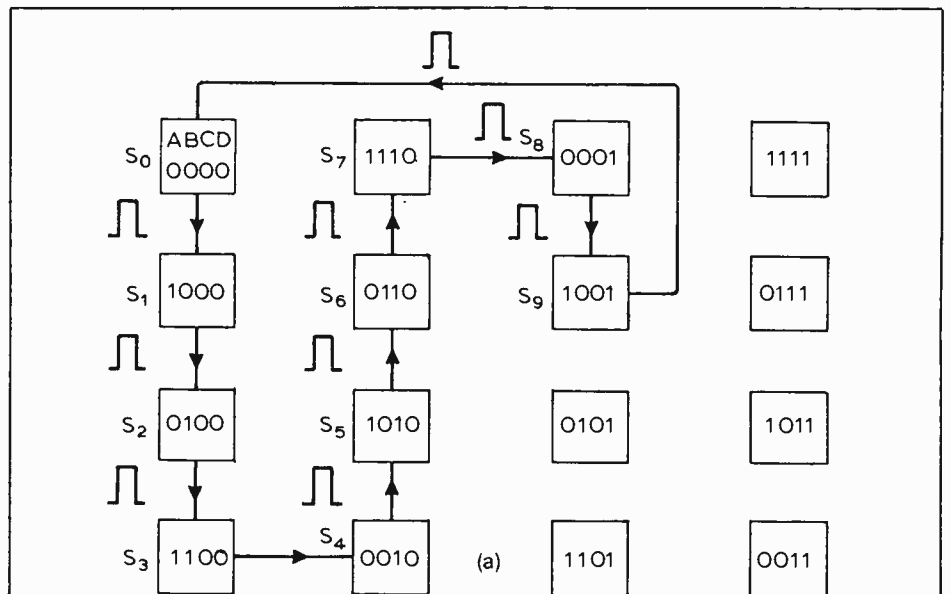
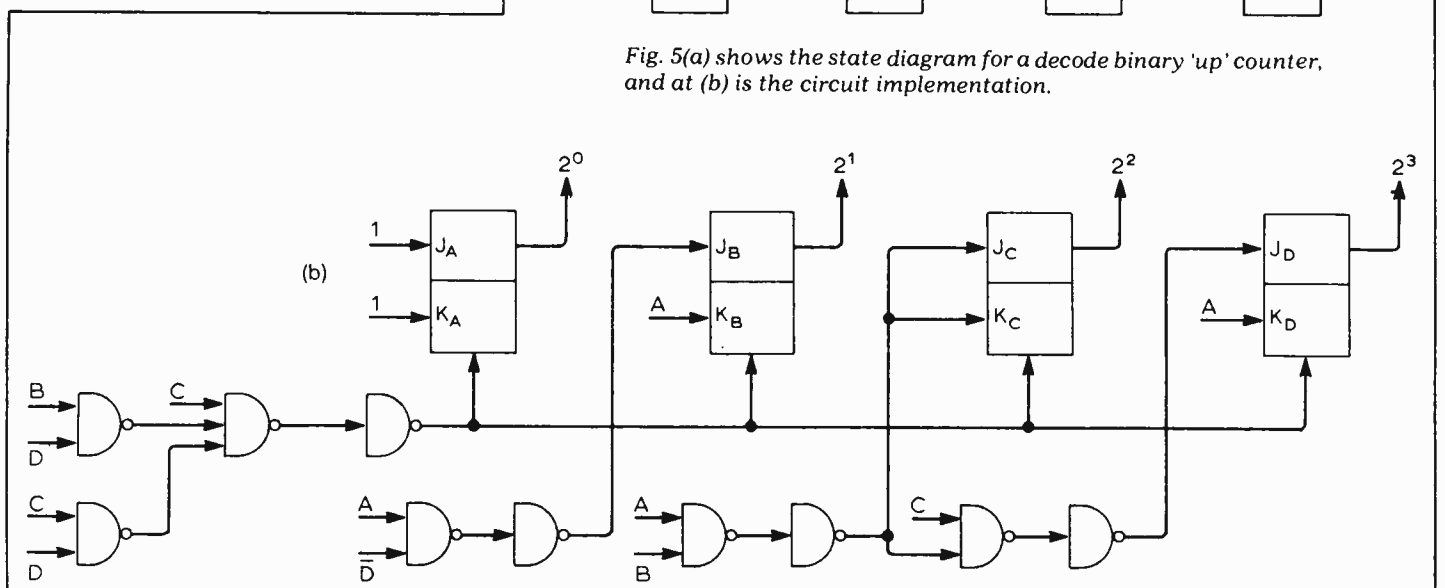


Fig. 5(a) shows the state diagram for a decade binary 'up' counter, and at (b) is the circuit implementation.



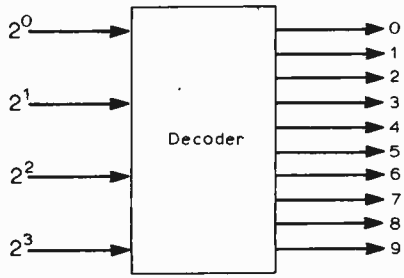


Fig. 6. A 4-10 line decoder.

D	C	B	A
0	0	1	0
0	1	1	0
0	1	1	1
0	1	0	1
0	1	0	0
1	1	0	0
1	1	0	1
1	1	1	1
1	1	1	0
1	0	1	0

Table 8. The XS-3 Gray code.

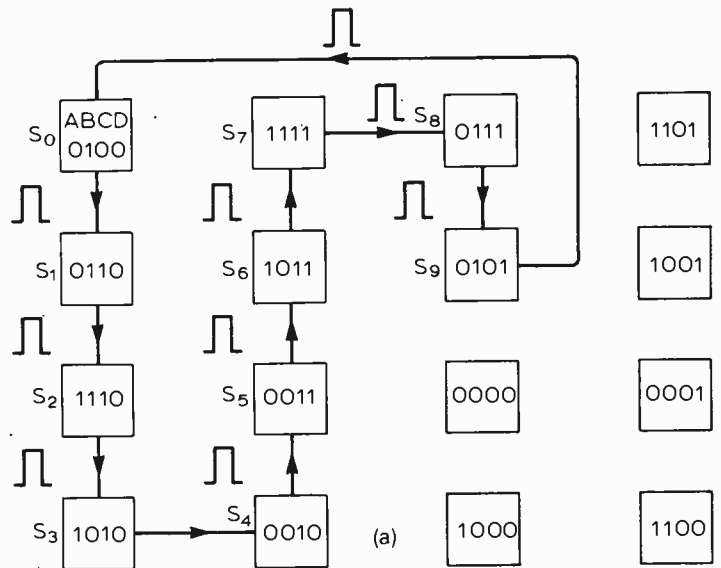
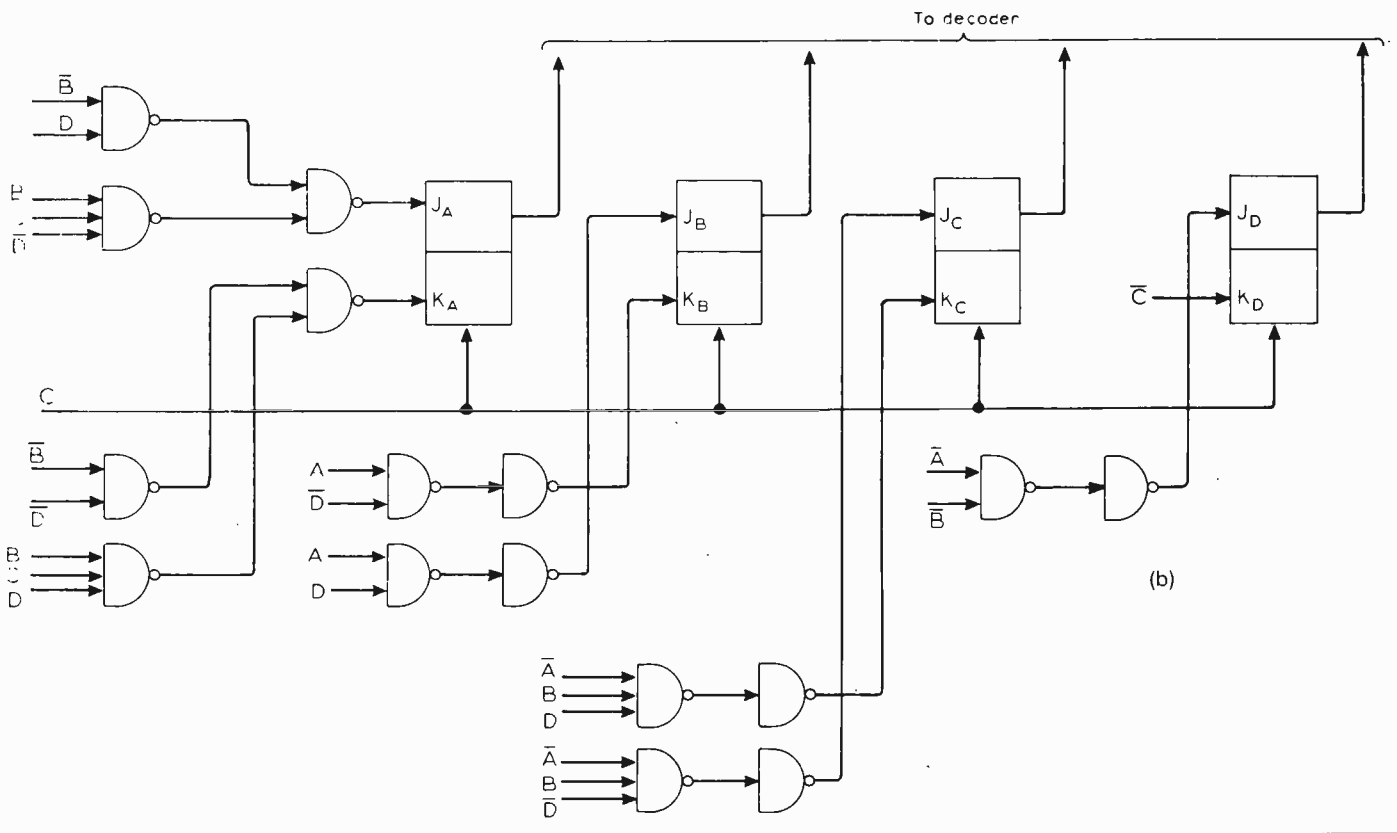


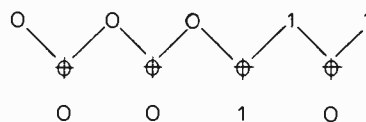
Fig. 7. State diagram for a XS-3 Gray code counter is at (a) and (b) shows the circuit.



Hence a spike will occur on the output line marked 3 during the transient state. Clearly this can occur at any point in the binary counting sequence where more than one flip-flop is required to change state during a transition. The difficulty can be eliminated by using a Gray code counter, in which only one flip-flop changes state at each transition.

Decade Gray code 'up' counter. As an example of the design of a Gray code counter, the XS3 code will be converted to a Gray code which will be used as the basis for the counter design. The conversion is carried out by obtaining the exclusive-OR sum of each pair of digits in the code starting with the two

least significant digits first, as shown below. It is assumed that there are five digits in each code combination, the fifth and most significant, always being 0.



The complete XS3 Gray code obtained using this procedure is shown in Table 8.

A convenient procedure for designing a Gray code counter is:

- (1) Determine the S and R expressions for each flip-flop and, using the equations $S_Q = J_Q \bar{Q}$ and $R_Q = K_Q Q$,

obtain the corresponding expressions for J and K.

(2) Optional products defined by the unused states, (if there are any,) can now be used to reduce the J and K expressions. For the state diagram and codes, see Fig.7(a).

Examination of the unused states in Fig.7(a) shows that they can be represented by the Boolean expression $\bar{B}C + A\bar{C}$.

The flip-flop equations are:

$$S_A = S_1 + S_5 = \bar{A}BC\bar{D} + \bar{A}\bar{B}CD$$

$$J_A = BCD + \bar{B}CD + (\bar{B}C) + (A\bar{C}) = \bar{B}D + BC\bar{D}$$

$$R_A = S_3 + S_7 = \bar{A}\bar{B}\bar{C}\bar{D} + ABCD$$

$$K_A = \bar{B}\bar{C}\bar{D} + BCD + (\bar{B}\bar{C}) + (A\bar{C})$$

$$= \bar{B}\bar{D} + BCD$$

$$S_B = S_6 = A\bar{B}\bar{C}\bar{D}$$

$$J_B = ACD + (\bar{B}\bar{C}) + (A\bar{C})$$

$$= AD$$

$$R_B = S_2 = ABC\bar{D}$$

$$K_B = ACD + (\bar{B}\bar{C}) + (A\bar{C})$$

$$= A\bar{D}$$

$$S_C = S_0 = \bar{A}\bar{B}\bar{C}\bar{D}$$

$$J_C = \bar{A}\bar{B}\bar{D} + (\bar{B}\bar{C}) + (A\bar{C})$$

$$= \bar{A}\bar{B}\bar{D}$$

$$R_C = S_8 = \bar{A}\bar{B}CD$$

$$K_C = \bar{A}\bar{B}D + (\bar{B}\bar{C}) + (A\bar{C})$$

$$= \bar{A}\bar{B}D$$

$$S_D = S_4 = \bar{A}\bar{B}C\bar{D}$$

$$J_D = \bar{A}\bar{B}C + (\bar{B}\bar{C}) + (A\bar{C})$$

$$= \bar{A}\bar{B}$$

$$R_D = S_9 = \bar{A}BC\bar{D}$$

$$K_D = \bar{A}BC + (\bar{B}\bar{C}) + (A\bar{C})$$

$$= \bar{C}$$

The circuit implementation of the counter is shown in Fig.7(b).

The output of the counter can be converted directly to decimal with the aid of a 4-10 line XS3-Gray-to-decimal decoder, which is available as a chip.

If the above procedure is adopted for the design of an XS3-Gray code decade 'down' counter the following flip-flop equations are obtained:

$$J_A = \bar{B}\bar{D} + BCD, J_B = A\bar{D}, J_C = \bar{A}\bar{B}D,$$

$$J_D = \bar{C}.$$

$$K_A = \bar{B}D + BC\bar{D}, K_B = AD, K_C = \bar{A}\bar{B}\bar{D},$$

$$K_D = \bar{A}\bar{B}.$$

The unreduced, and hence the reduced, J and K values of the flip-flops in one direction are the same as the K and J values of the flip-flops in the reverse direction, i.e. to reverse the direction of count it is only necessary to interchange the J and K inputs of each flip-flop.

It should be noted that the method of design employed does not always produce the simplest flip-flop equations but it has advantages when applied to the implementation of 'up-down' Gray code counters.

'Up-down' control

'Up-down' counters are counters in which the pulse count is stepped up or stepped down by each input pulse according to whether the value of an external control signal R is 0 or 1. In practice, the input signals that step the count up or down will appear on two separate lines X and Y, as shown in Fig.8(a). The designer has to generate the clock pulses that will drive the counter flip-flops and the 'up-down'

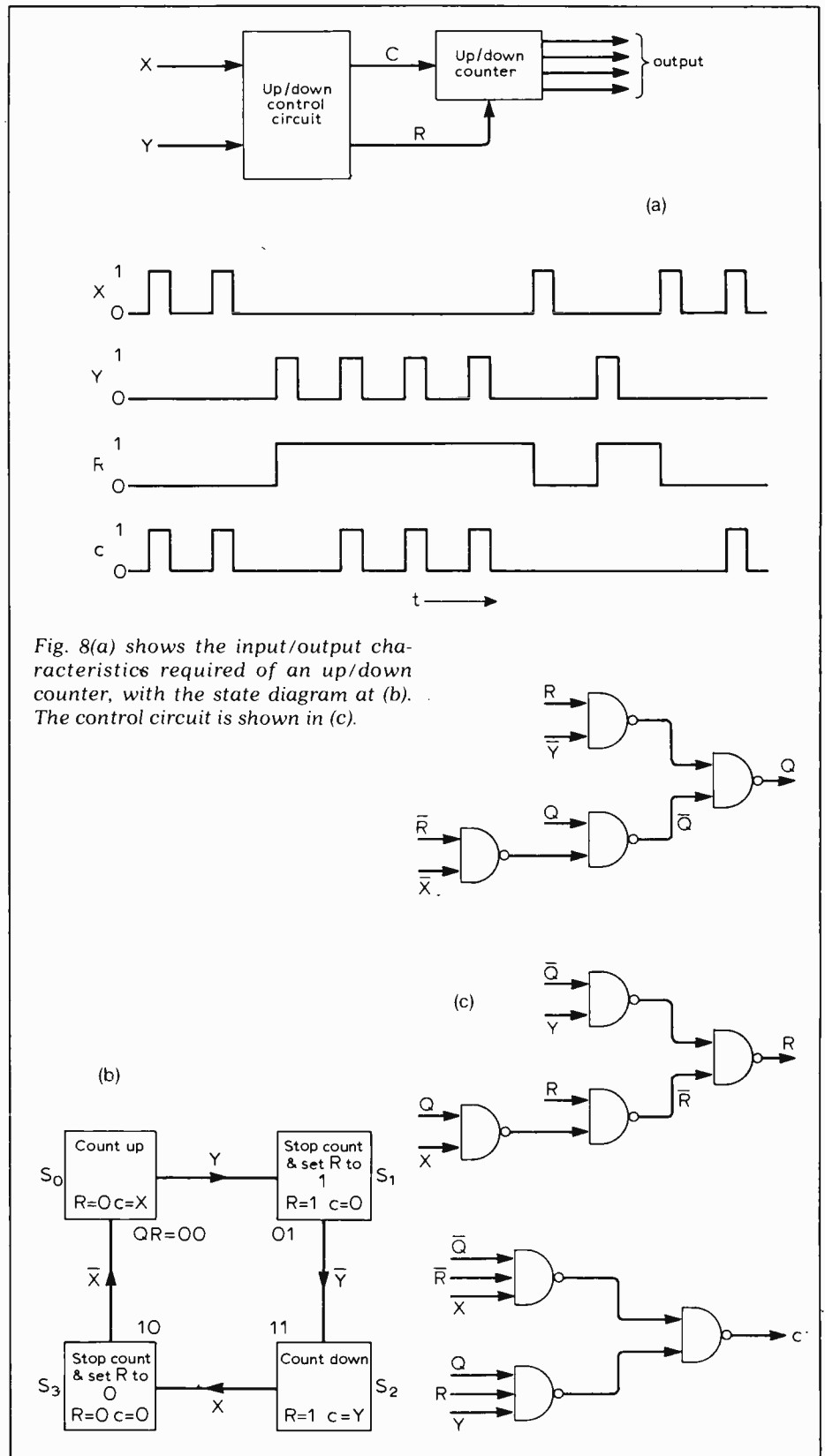


Fig. 8(a) shows the input/output characteristics required of an up/down counter, with the state diagram at (b). The control circuit is shown in (c).

control signal R. It will be assumed that step-up and step-down signals do not appear simultaneously.

The control signal must not be allowed to change during the presence of the input data. In this case, the control signal will be generated from the input data and a race condition can be prevented by using the first pulse in each pulse train to change the value of R. Since each time the value of R is changed an input pulse is not counted this method results in a maximum count

error of 1 for an odd number of changes in R and no error for an even number of changes in R.

The logic circuit used to perform the function described above is event driven and the methods used in the third article of this series will be employed in its design.

- Step 1** Figure 8(a) shows the input/output characteristics.
- Step 2** A suitable state diagram is shown in Fig.8(b).

Step 3 State reduction is not attempted so that clarity of design is maintained.

Step 4 Turn-on set of $Q = R\bar{Y}$

Turn-off set of $Q = \bar{R}\bar{X}$

Turn-on set of $R = QY$

Turn-off set of $R = QX$

The sequential equations are:

$$Q = R\bar{Y} + Q(R + \bar{X})$$

$$R = QY + R(Q + \bar{X})$$

$$\text{and } c = S_0X + S_2Y = \bar{Q}\bar{R}X + QRY$$

The circuit implementation is shown in Fig.8(c).

'Up-down' XS3-GRAY code counter.

Combining the flip-flop equations for 'up' counts when $R=0$ and for 'down' counts when $R=1$ the following results are obtained for the XS3-Gray code counter:

$$J_A' = (\bar{B}D + B\bar{C}D)\bar{R} + (\bar{B}D + BCD)R$$

$$= J_A\bar{R} + K_AR$$

$$K_A' = (\bar{B}D + BCD)\bar{R} + (\bar{B}D + B\bar{C}D)R$$

$$= K_A\bar{R} + J_AR$$

Similarly

$$J_B' = J_B\bar{R} + K_BR$$

$$K_B' = K_B\bar{R} + J_BR$$

and so on for $J_C', K_C', J_D',$ and K_D' , where J' and K' are used to denote the flip-flop inputs in the 'up-down' mode:

Asynchronous binary counters

For counts of powers of 2 the basic arrangement consists of T flip-flops, (or alternatively JK flip-flops with J and K permanently connected to 1), connected in cascade as shown in Fig.9(a). As can be seen from the diagram the output of each flip-flop provides the clock signal for the next. The input signal X is used as the clock pulse for the first flip-flop.

The time-diagrams for a scale-of-8 (up) counter are shown in Fig.9(b), where all changes of state are assumed to take place on the trailing edge of the clock pulses. Examination of the time diagrams shows that flip-flop A changes state on each trailing edge of the input pulses X. The output of flip-flop A is used as the clock pulse for B and a change in state of this flip-flop occurs on the trailing edge of the A pulses. Similarly the output of B provides the clock pulse for C and this changes state on the trailing edge of the B pulses.

The various states of the counter are indicated on the time diagram and the binary digits associated with each state are marked on the time diagrams for the signals A, B, and C.

It is a simple matter to show that the above circuit will count down if the signals \bar{A} and \bar{B} are used as the clock pulses for flip-flops B and C respectively.

Scale-of-ten 'Up' Counter.

This circuit requires four flip-flops, as shown in Fig 10(a). The associated time diagrams are displayed in Fig.10(b). Starting with all the flip-flops in the 0

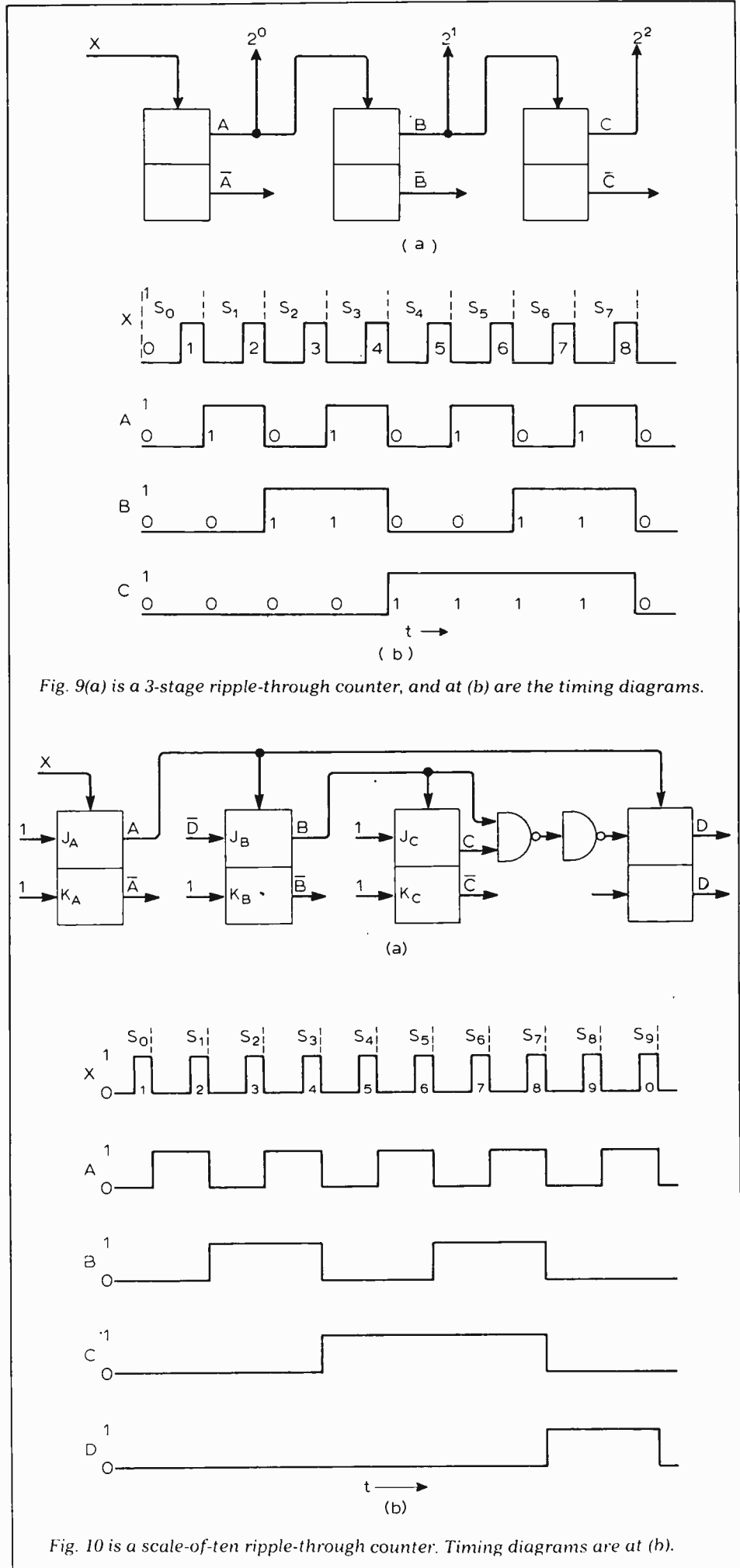


Fig. 9(a) is a 3-stage ripple-through counter, and at (b) are the timing diagrams.

Fig. 10 is a scale-of-ten ripple-through counter. Timing diagrams are at (b).

state, the count follows the normal binary sequence up to and including the count of eight. On the trailing edge of the tenth input pulse, flip-flop A makes a transition from 1 to 0, which would normally induce a transition in flip-flop B, changing its state from 0 to 1. However $J_B = \bar{D} = 0$ at this instant and consequently flip-flop B remains in the reset condition. At the same instant it is also necessary to reset flip-flop D and it changes state from 1 to 0. All the flip-flops are now in the reset condition and are ready for the arrival of the first pulse of the next counting cycle.

Scale-of-twelve 'Up' counter

The basic circuit of a scale-of twelve asynchronous counter is shown in Fig.11(a), whilst the time diagrams describing its behaviour are shown in Fig.11(b). Flip-flops A, B, and C count from 000 to 101 inclusive. With $D=0$ the counter reaches the state $ABCD=1010$ (S_5), and when the next X input pulse is received it must go to the state $ABCD=0001$.

Flip-flop A is controlled by the X pulses and changes state to $A=0$ on the trailing edge of the sixth of these pulses. Flip-flop B remains in the $B=0$ state since $J_B = C=0$ and flip-flop C takes up the state $C=0$ since $J_C = B=0$ and $K_C=1$. The change of C from 1 to 0 represents the trailing edge of the clock pulse for flip-flop D and hence there is a change of state for this flip-flop such that $D=1$.

After another six X pulses the state of flip-flop D is restored to 0 and the counting cycle of twelve states is completed.

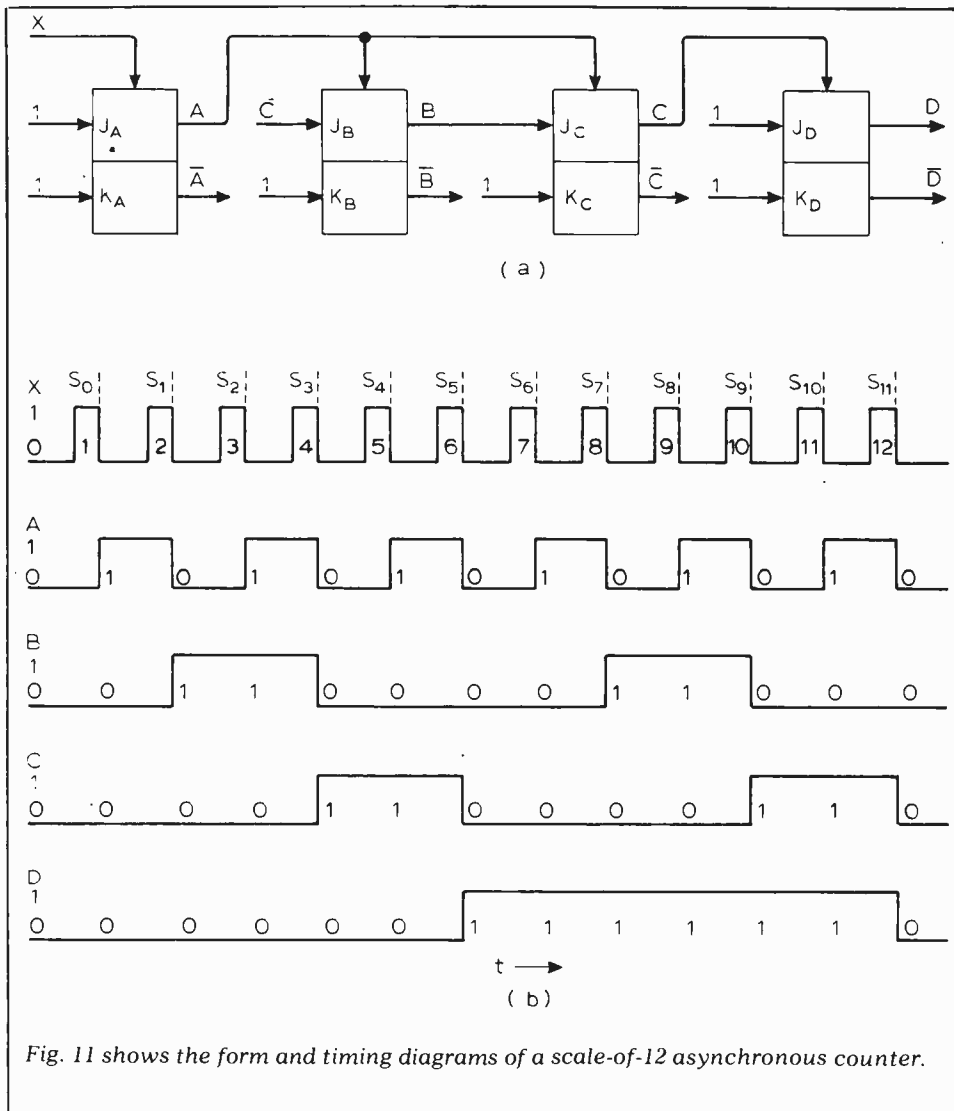


Fig. 11 shows the form and timing diagrams of a scale-of-12 asynchronous counter.

Continued from page 49

Appendix 1

To arrive at a general solution, take two threads of equal length y . By their top ends they hang from the ends, C and D of a fixed bar 2a long, Fig. 9. The lower ends are fixed to the ends of a moveable bar AB, 2b long.

The bar has a mass W and requires horizontal couple of moment M to rotate it through θ degrees about a vertical axis passing through the centres of AB and CD. There will be a tension T in the threads, which will be at an angle α to the vertical.

$$W = 2T \cos\alpha$$

$$M = 2b T \sin\alpha \sin\beta$$

$$M = bW \tan \alpha \sin\beta$$

Now $Y \sin \alpha \sin \beta = a \sin \theta$ and substituting for $\sin \beta$

$$M = \frac{W a \sin \theta}{y \cos \alpha}$$

This is the general case. In our case we assume $a=b < \frac{1}{2}$, so $y \cos \alpha$ becomes h and constant. $\theta = 90^\circ$, $\sin \theta = 1$ and the equation becomes

$$M = \frac{W a^2}{h}$$

Appendix 2

The stylus only tracks a groove tangentially at the end of a side. This is in fact how the arm is set up. At the start of a side there is a tracking error γ , which in a well-designed arm should not exceed two degrees. This decreases across the record. The equation on page becomes

$$S = F \sin (\phi + \gamma)$$

Appendix 3

—typical values, in grams

Component	Mass—W	Me
Cartridge	7	7
Arm	5	1.5
Wire	2	0.5
Clip and screws	2	2
Counterweight	42	3
Totals	58	14

For weighing things I use ordinary kitchen scales which turn nicely at $\frac{1}{16}$ oz. A tuppenny piece weighs $\frac{1}{4}$ oz, one penny weighs $\frac{1}{8}$ oz and $\frac{1}{2}$ pence weighs $\frac{1}{16}$ oz. And, of course, 1 oz is 28 grams. For objects weighing four grams or less, I use a stylus scale: hopelessly inaccurate but can be recalibrated.

Books Received

Tower's International Fet Selector by T. D. Towers and N. S. Towers starts with a brief introduction to f.e.t.s followed by a list of about 2,600 devices, together with characteristics and ratings. Four appendices provide information on the tabulations, package outline and pin configuration, manufacturers house codes, and manufacturers address. Price £4.50 Pp.57. W. Foulsham & Co. Ltd, Yeovil Road, Slough, Bucks.

Microphones — How They Work & How to Use Them, no. 875; **The Complete Handbook of Videocassette Recorders**, no. 811; **The Complete Handbook of Slow-Scan TV**, no. 859; and **Practical Solid-State DC Power Supplies**, no. 891, are recent paperback publications from Tab Books. A hardback book entitled **TV Lighting Handbook** is also available from the same company. For further details and UK prices contact Tab Books, Blue Ridge Summit, Pa. 17214, U.S.A.

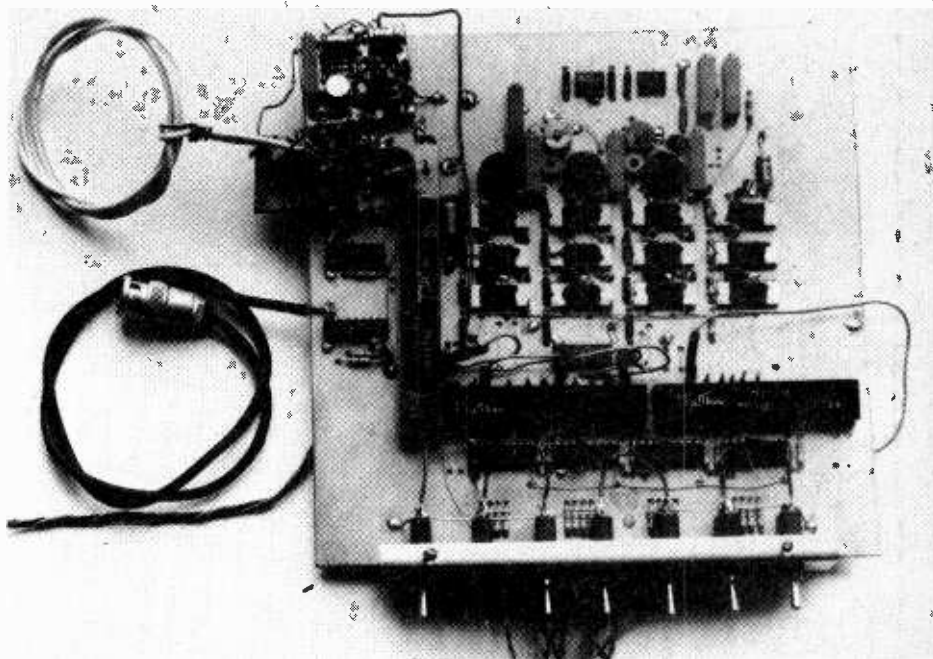
Microcircuit Device Reliability: Digital Generic Data and Linear/Interface Data are two publications which are now available from London Information. The data has been compiled from technical reports and information from various manufacturers. Each publication contains reliability details together with information of the field and test conditions. London Information (Rowse Muir) Ltd, Index House, Ascot, Berks.

High-speed analogue-to-digital conversion

Recent developments and applications

by O. J. Downing, Ph.D and P. T. Johnson, B.Tech., *University of Bradford*

Digital signal processing and data transmission, particularly for television and radar systems, have stimulated a demand for faster and more accurate analogue to digital converters. Much of the current research and development in this field has given Britain a significant technological lead. Converters capable of coding to 8-bit accuracy with sampling rates greater than 30MHz have been demonstrated and have opened up many new applications. The two authors have spent several years researching a-to-d converters at Bradford University with the intention of producing a cheap manufacturable converter particularly suitable for tv signals. This article describes some of the most recent systems including the author's prototype 2+2+2+2 serial coder design, opposite, and suggest ways in which gross coding rates greater than 400Mb/s may shortly be achieved.



It has been said that the solution to one problem begets ten more. Certainly, in the realms of digital signal processing, the inherent attractions of digital operation have led to a steadily growing range of more demanding applications for the devices and interfaces.

One recent example of the power of digital signal processing is the television signal standards converter DICE¹ (Digital Intercontinental Conversion Equipment). In this equipment a complex and extensive sequence of operations are performed on a digitized tv signal using high-speed logic. This system has resulted in corresponding improvements in mean signal quality, in the amount of maintenance and setting up required, and in the general effectiveness of the equipment when compared with the analogue counterpart. Digital techniques are now being used in the design of television, radar and communication systems, and in the area of transient signal measurement with similar benefits.

In all of these applications, however, the major attractions of digital operation depend on speed, accuracy, stability, reliability and cost of the analogue-to-digital conversion process.

Thick-film integrated and hybrid a-to-d and d-to-a converters have been available for some time. In these devices the conversion techniques such as ramp-counting, feedback successive approximation, and dual-slope integration require a trade-off between the rate at which input signal samples are translated into binary digits (the conversion rate), and the accuracy to which the output bits represent the instantaneous value of the input signal (the dynamic accuracy). Although developments in component technology are relieving these restrictions to some extent, the majority of existing high-speed converters use combinations of serial and parallel conversion techniques. Integration, however, does offer mainly trouble-free and stable circuit operation. The aim of many a-to-d converter designs therefore, has been to obtain higher conversion rates and dynamic accuracy using integration techniques which require few precision components and do not need a great deal of adjustment.

Pulse-code modulation

The derivation of a pulse-code modulated output from an analogue

input signal requires three basic operations. Firstly, the input is sampled, according to the Nyquist criterion, at a rate greater than twice the highest spectral component contained in the input signal. A low-pass filter in the input path is often used to ensure this condition. The instantaneous value of the sample must be accurately stored for a length of time which enables the converter to decide which output code it should produce. Secondly, each sample amplitude is compared with a number of preset reference levels to determine the amplitude. This quantization process commonly uses linearly-related levels, although expansion or compression of the dynamic signal range by the use of non-linear quantization law has been used in the logarithmic encoding of speech signals. Finally, the digital outputs of the comparison circuitry are re-coded into a more convenient form. The resulting parallel bit streams are latched to remove time-skew between them.

Typically, a converter producing an n-bit parallel binary output for each input sample requires $2^n - 1$ accurate reference levels. The processes of sampling, quantization and coding are

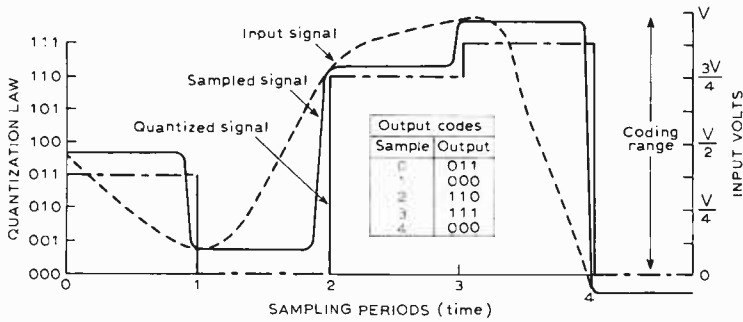


Fig. 1

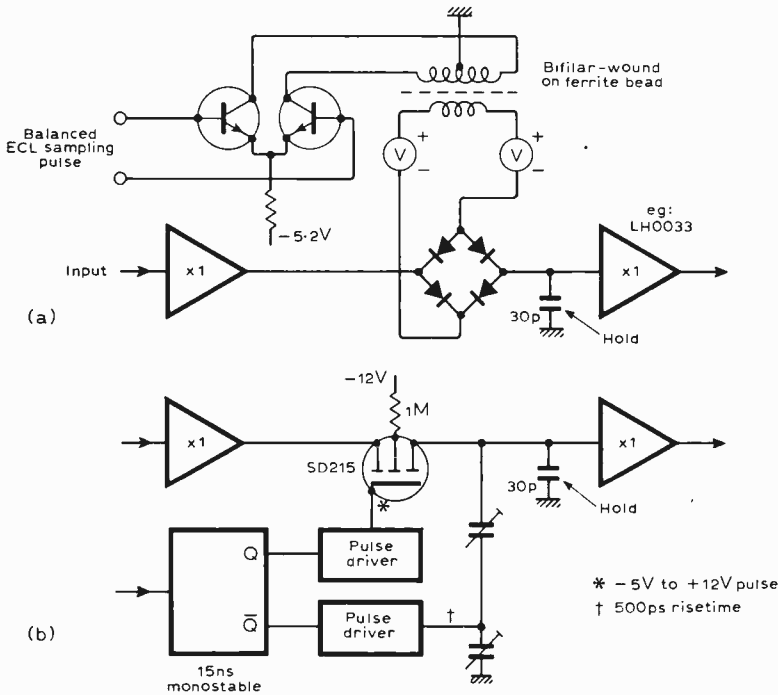


Fig. 2

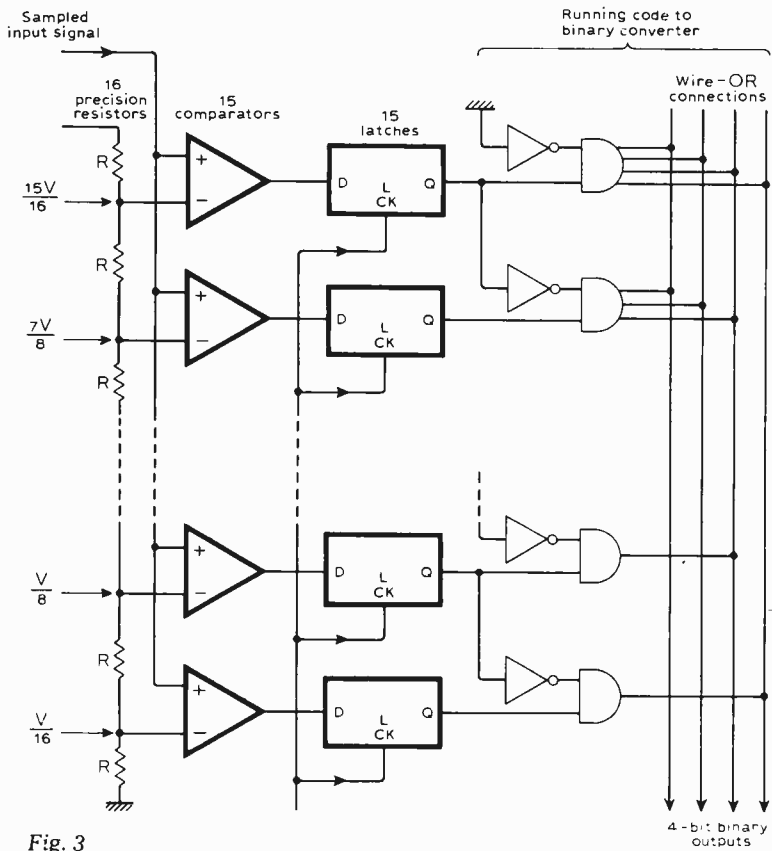


Fig. 3

Fig. 1. Sampling quantization and coding processes for pulse-code modulation of video signals.

Fig. 2. (a) Diode gate sampling switch and (b) m.o.s.f.e.t. switch with feedthrough cancellation.

Fig. 3. Parallel quantizer using comparators and a precision resistor chain for the reference levels.

shown in Fig. 1. Subjective tests with digitalized and reconstructed System I PAL tv signals suggest the need for at least eight bits per sample at sampling rates around 13MHz. For many radar applications much higher sampling rates are required, often with similar quantization accuracy.

Sample and hold techniques

In principle, the process of sampling and holding a signal is accomplished by switching the signal into a capacitor store which charges to the current signal amplitude. The switch is then opened whilst the quantizer operates on the sampled value. In practice, the time taken for electronic switches to change from low and high resistance states, the parasitic reactances associated with these devices and, in high speed samplers, slewing of the input signal all combine to limit the maximum speed and accuracy.

To reduce the decay of the stored charge during the holding interval, the capacitor is buffered by a high-impedance amplifier and its capacitance is maximised. However, to ensure that the capacitor charges to the signal amplitude during the sampling period its value must be minimized. In general, the sampling period must also be minimized because quantization cannot begin until sampling is complete. Because the input signal continues to slew during the time taken for the sampling switch to open, any shifting of this point caused by noise or sampling clock jitter will cause an error in the sample value. Furthermore, the relative magnitudes of the input and switching signals can shift the sampling period and cause a further error called "aperture uncertainty". If any coupling exists between the switch and the hold store, a proportion of the sampling pulse can be fed to the store capacitor and cause a corresponding error in the voltage.

Two types of sampling switch that have recently become popular are the diode gate and the m.o.s.f.e.t. switch, see Fig. 2. In the first-mentioned the diodes are reverse biased during the hold interval but are forward biased by a current pulse from the transformer during the sample interval. Voltage sources are included to ensure that the diodes do not become forward biased by high signal slewing during the hold interval. The use of matched low-resistance high-speed Schottky diodes

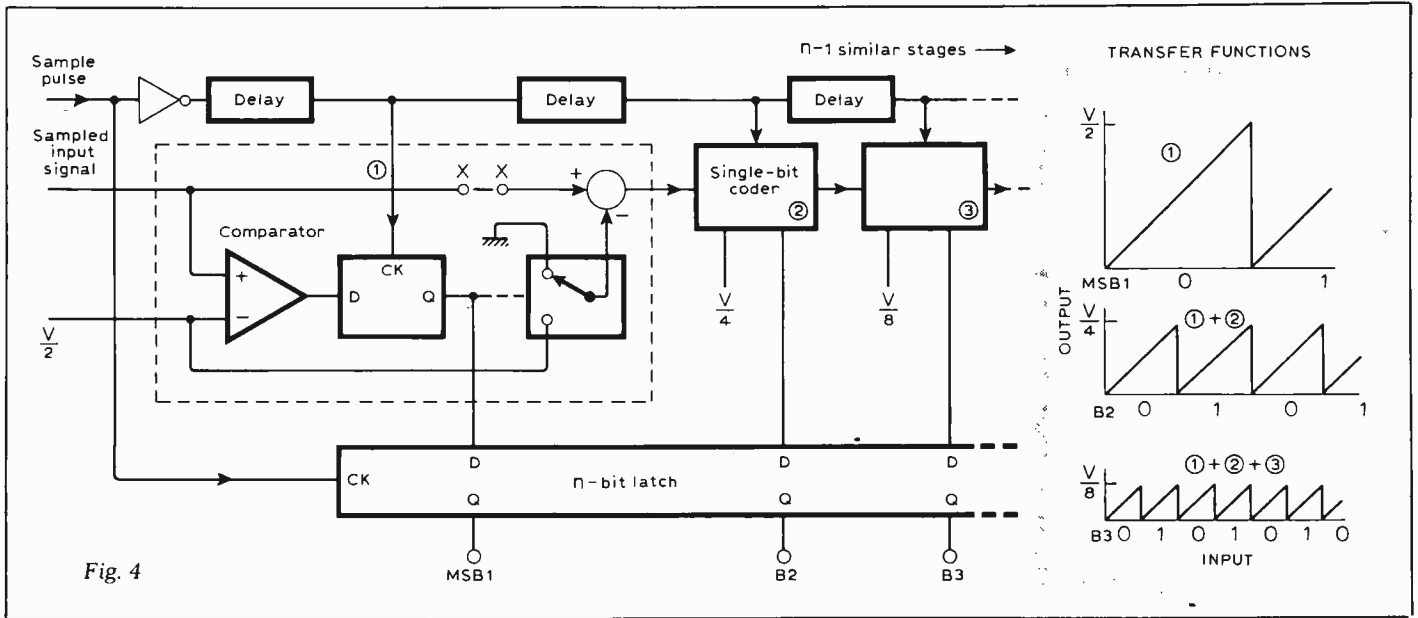


Fig. 4

minimizes sample pulse feedthrough and charging time, but aperture errors are still determined by the slow drive rate of the driving pulse and drive transistors. Aperture errors of less than 100ps at sampling rates in excess of 50MHz are possible with samplers of this type. A recent development has made use of the m.o.s.f.e.t. possible in high-speed samplers². In the circuit shown, sampling pulse leakage caused by gate-source capacitance is cancelled by feeding a complementary pulse directly onto the sampling capacitor. Cancellation levels up to 40dB have been achieved with an aperture error below 300ps.

Serial and parallel quantizers

An obvious technique for quantizing a signal is to apply it to the commoned inputs of several comparators, the reference levels for which are derived from a precision resistor chain as shown in Fig. 3. Because the comparators have

Fig. 4. Serial-successive approximation quantizer. This system only uses one comparator and precision reference level per output bit.

to settle, their outputs are latched some time after the sampling period. Re-coding of the output into binary can be accomplished by simple combinational logic as shown. Although this technique is accurate and using e.c.l. comparators conversion rates approaching 100MHz with four bits per sample are feasible, the component cost is high; for an n-bit binary converter, $2^n - 1$ comparators and resistors are required.

At the other end of the scale, the serial successive approximation converter shown in Fig. 4 uses only one

comparator and precision reference level per output bit. The result of each comparison is used to decide whether a voltage, equal to the reference level for that comparator, should be subtracted from the stage input signal. The output from the subtractor is used as an input to the following stage. A successively more accurate representation of the input sample amplitude is built up by subtraction of binarily related reference voltages as the residue propagates along the cascade. Variations in propagation delay are removed by latching all outputs on the leading edge of the next sampling pulse. Because each stage must complete its operation before the next commences, the available time for stage operation is severely restricted. For example, a tv converter may require accurate stage operation in less than 8ns. One solution is to add a delay line into the signal path at the point marked $\times \times$ on Fig 4. By correctly timing the latch pulse

Fig. 5. Single stage of a folding encoder. This system uses a cascade of fast precision rectifiers.

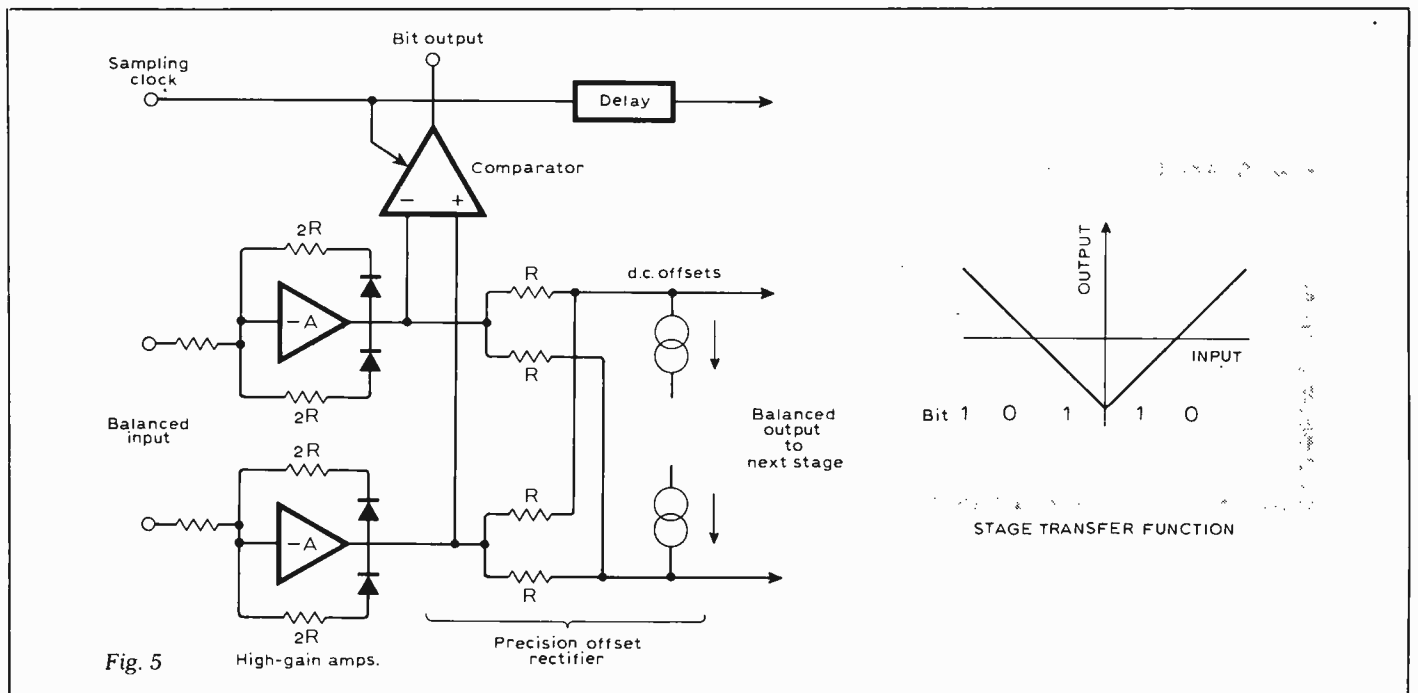


Fig. 5

to each comparator and re-designing the latch it is possible to arrange that whilst the first stage is determining the most significant bit of the present sample, the second stage is determining the second m.s.b. of the preceding sample and so on. This allows each stage to have nearly a complete sampling interval to settle. Because each stage must be accurate enough to drive the rest of the cascade, only the first stage requires maximum accuracy. Furthermore, this design has the advantage of automatically producing a binary-coded output.

A further modification, which allows the use of a common reference voltage for all stages, is to give the subtraction process a precise gain of two. Unfortunately,

the precision subtractor with a stable zero-offset is a problematic part of this design.

Folding encoder

An alternative form of serial converter which has been successfully used commercially, the so-called folding encoder, uses a cascade of fast precision rectifiers. Fig. 5 shows that the transfer

function of the system has a typical repetitive form, but, in this case, produces a Gray-coded output. Therefore, conversion errors occurring at major output transitions, say between binary 01111 to 10000, are less noticeable because only one bit changes per least-significant transition. The circuit is also susceptible to a high degree of integration.

Hybrid series-parallel converters

A solution to the compromise between speed, accuracy and cost is a combination of serial and parallel conversion techniques. An eight-bit 15MHz design developed by the BBC³ uses a four-bit quantizer/coder, producing the four m.s.bs of the output, feeding a four-bit d-to-a converter, see Fig. 6. The output of the converter is subtracted from a delayed version of the input sample to produce a voltage equal to the error caused by quantization to 2^4 levels. This residue, after amplification, is coded in a second four-bit quantizer to produce the least-significant four bits of the output. Errors caused by propagation delay in the two sets of four-bit outputs are removed by suitably timed latches. This design is interesting because it uses extra comparators in the second stage to detect under-range and over-range input voltage errors produced by a marginally accurate first stage. The comparators also correct the l.s.b. outputs by digital subtraction or addition.⁴

The recent development of an integrated comparator⁵, latch, precision current switch and binary-coding logic has enabled the speed and accuracy of this technique to be greatly improved. Use of a current-summing d-to-a converter coupled with current subtraction allows significantly faster operation, 30MHz, than the corresponding voltage-based design. We have experimented with a modified version of this design at the University of Bradford, see Fig. 7, where the residue from the first four-bit quantization is fed back via a m.o.s.f.e.t. re-sampling switch into the same quantizer/coder. It is possible to code to eight-bit dynamic accuracy with sampling rates almost as high as the $4 + 4$ converter but using only half as many comparators, and precision resistors.

Another home-produced design which is faster, more accurate and more economical, uses a cascade of four high-speed two-bit coders. Inter-stage voltage gain and I to V conversion by current summing are not required. The maximum conversion rate of this system exceeds 30MHz. Fig. 8 shows the circuit and the residues from each stage produced by the quantization of a slow ramp sampled at 20MHz. Dynamic accuracy measurement of this converter suggests that the addition of a simple error corrector to the final stage could allow a further one- or two-bit stage to be added which would reduce the

Fig. 6. Eight bit series/parallel a-to-d converter with digital error correction.

Fig. 7. Recirculating parallel coder. Residue from the first four-bit quantization is fed back to the same quantizer/coder.

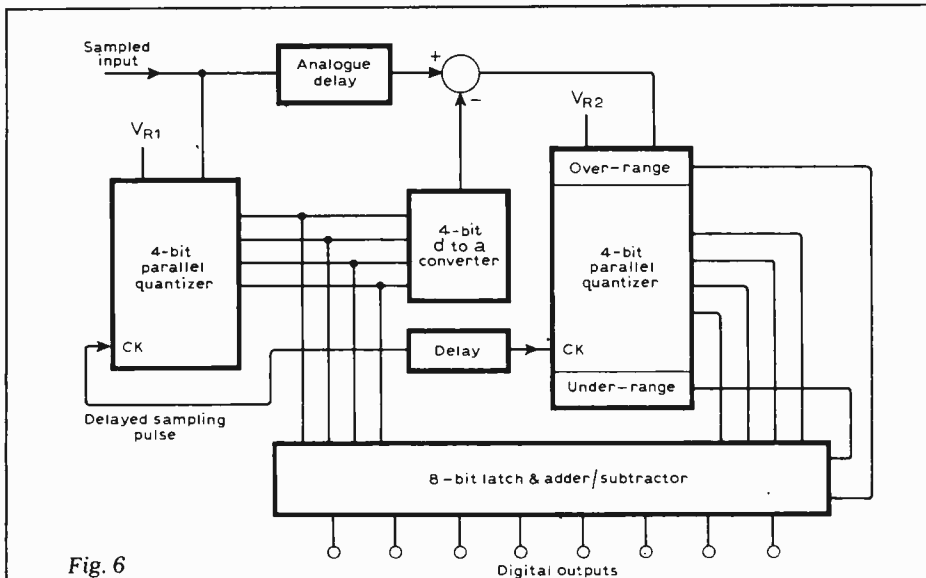


Fig. 6

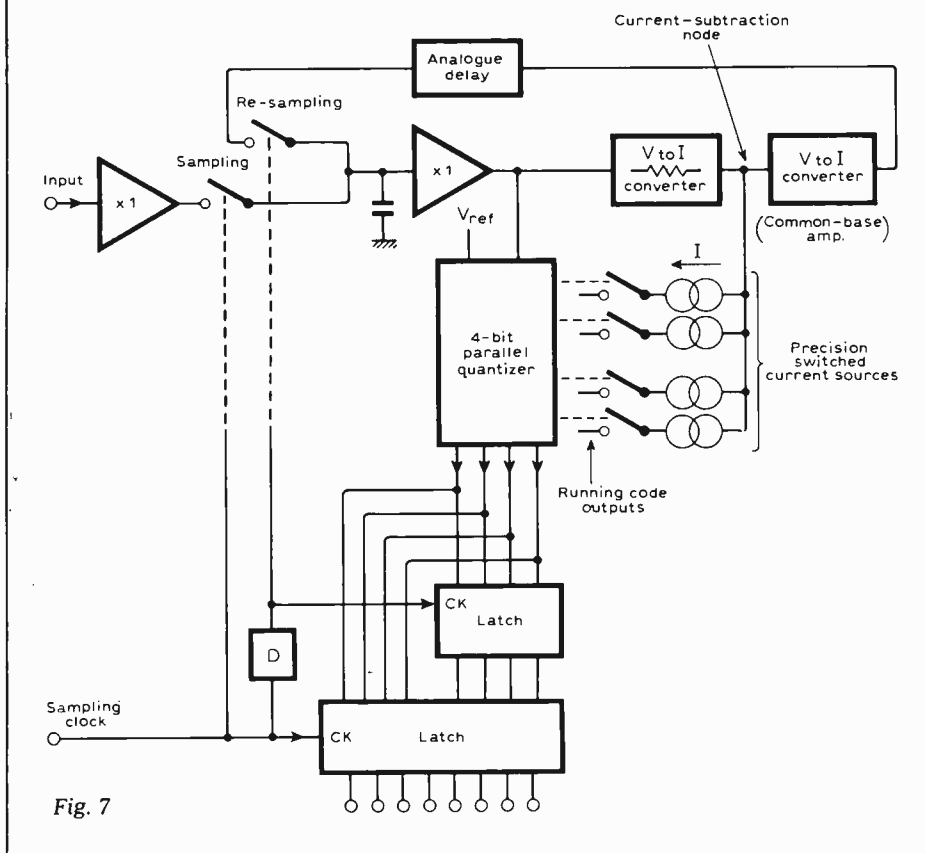


Fig. 7

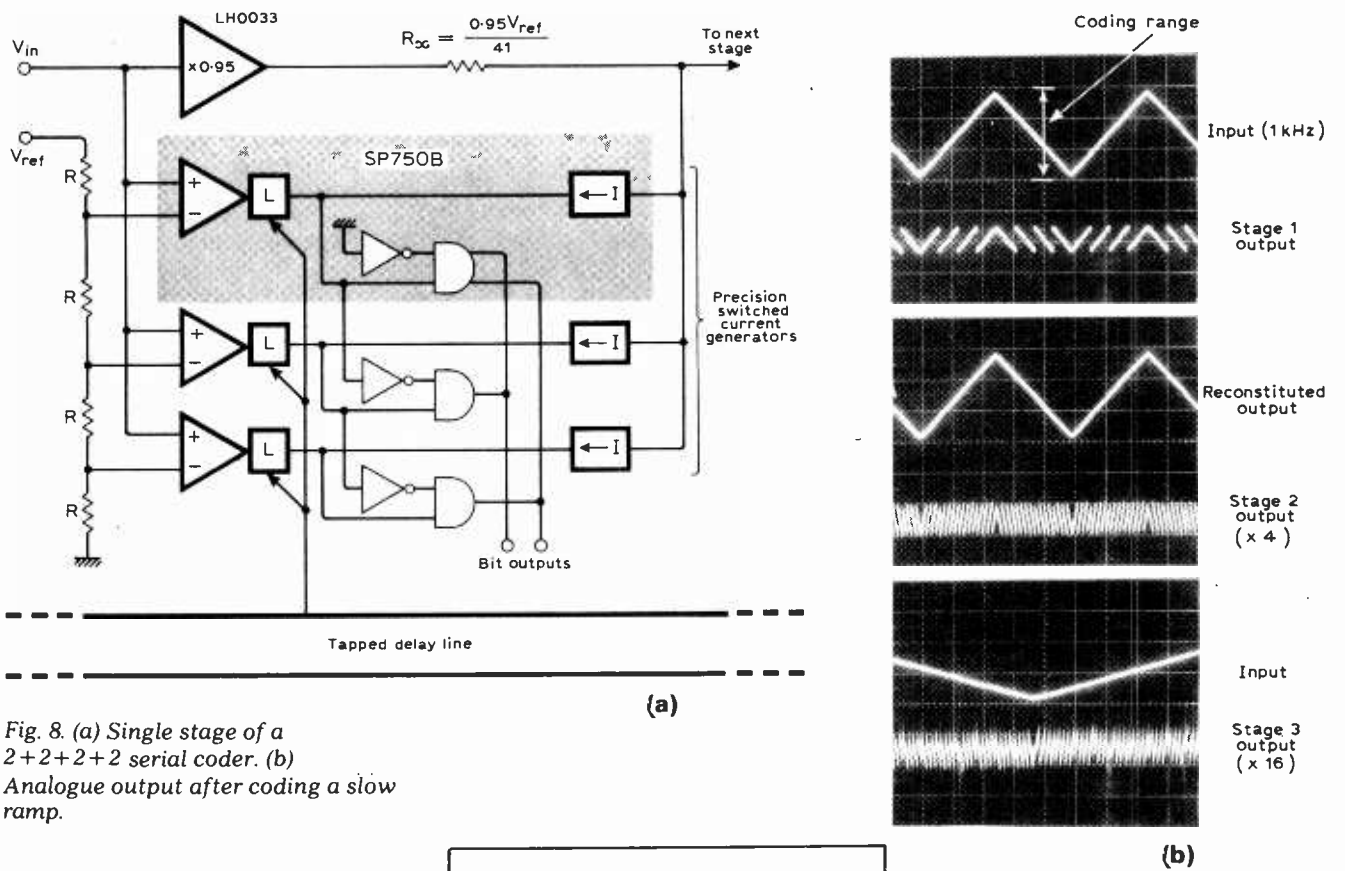


Fig. 8. (a) Single stage of a 2+2+2+2 serial coder. (b) Analogue output after coding a slow ramp.

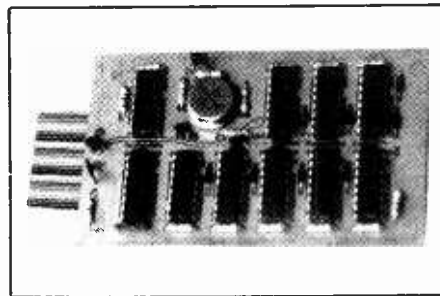
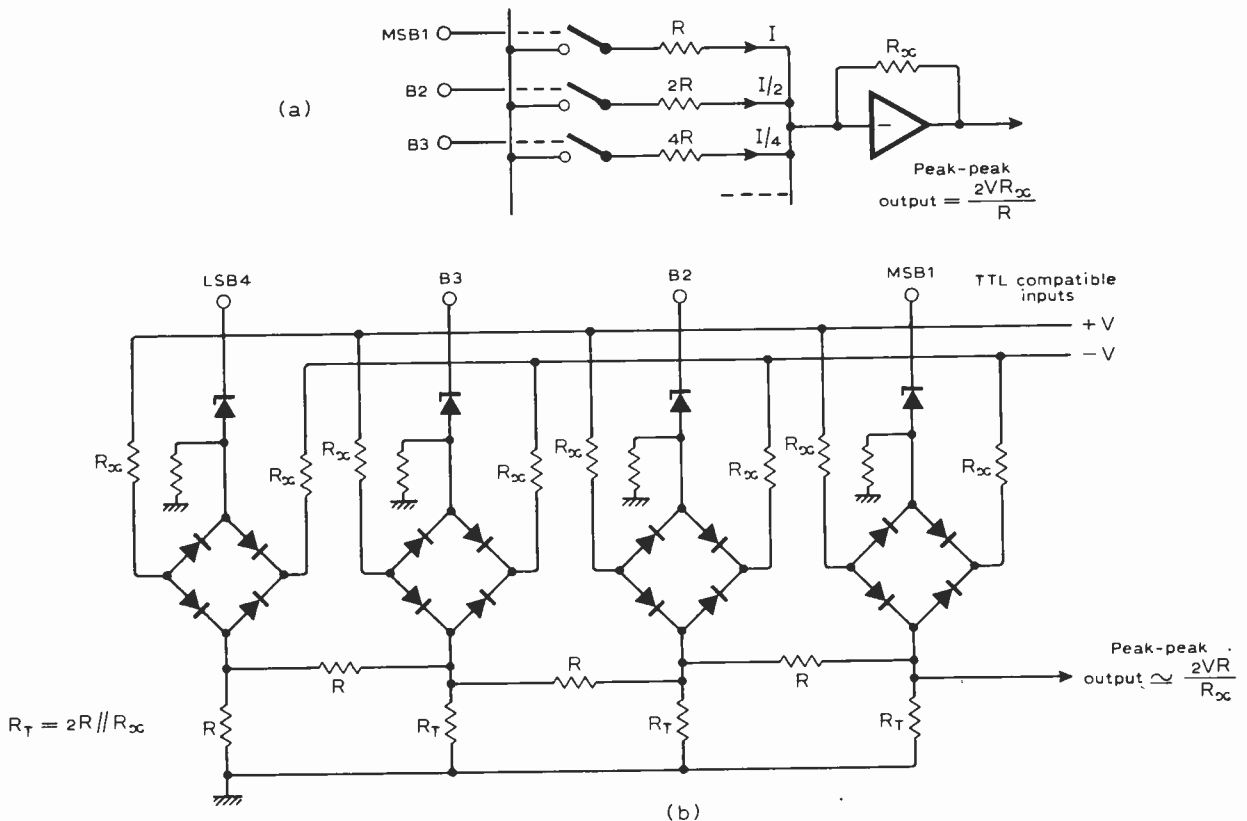


Fig. 9. Fast d-to-a conversion using binary-weighted switched currents which are summed using (a) virtual earth technique, (b) a R-2R precision resistor network. The photograph shows a practical design which combines the two techniques.



maximum conversion rate to around 25MHz and offer a, so-far rather elusive, ten-bit high-speed converter.

Digital error correction

The technique of error correction can be used in most forms of a-to-d converter although it is usually only used in high speed designs where the increased accuracy and stability justify the added complexity. The principle is to measure the conversion error in terms of either positive or negative least significant bits and to correct the coder output accordingly. Error detection is usually incorporated in the final stage of serial quantization where the converter is attempting to resolve to a least significant bit. Any errors that have been introduced earlier in the cascade will cause the signal amplitude at the final stage to lie outside its nominal range. These errors can be measured precisely by the addition of extra comparators. Digital arithmetic controlled by the outputs of these comparators is then used to subtract the error from the coder output.

Digital-to-analogue conversion

Re-conversion of digital signals into analogue form presents few problems for the levels of accuracy and word rates quoted so far. Precision high-stability resistors and thick-film networks have been available for some time although commercial integrated high-speed d-to-a converters are still thin on the ground. Two similar techniques, shown in Fig. 9, are popular for high-speed designs. In the first, precision binary-weighted switched currents are summed at a virtual-earth point. In the second, similar precision switched currents are summed binarily in a precision resistor network. The first technique has the advantage that the summing node is a virtual-earth and hence, stray capacitance associated with the current source has less effect in slowing down current transitions. Unfortunately, precision binary-weighted current generators are difficult to produce. In the second technique the advantage and disadvantages are reversed. A logical solution to the compromise is to combine the techniques and sum groups of binarily related switched currents in a reduced resistor network. A circuit which sums three groups of three precision-switched currents 1, 1/2 and 1/4 in an R to 8 R resistor ladder can be used to decode eight-bit binary data at word rates above 50 megawords per sec. However, dynamic errors have proved to be troublesome in high-speed converters. Even if data propagation error is limited by latching the input data with a delayed sampling clock, different propagation delays in the resistor or current networks, and parasitic reactances associated with components and circuit layout produce transient spikes or "glitches" on the analogue output waveform when the input data changes.

Resampling this waveform, using a second delayed clock, after the glitches have settled, reduces the problem and also simplifies the design of the subsequent low-pass reconstruction filter.

Future developments

The commercial development of any new technique depends on market conditions. At present, although a considerable range of exciting and attractive applications have been proposed for high-speed digital signal processing, particularly the prospect of digital broadcast tv systems, the cost of existing a-to-d converters is prohibiting their large-scale exploitation. Of the converter types described in this article, the serial cascade is perhaps the most attractive for future development. The idea of an integrated n-bit coder with subtractor, buffer, and latch on a single chip, which could be cascaded to any length, has obvious merits.

Techniques will shortly be capable of producing up to four-bit units with settling times of less than 8ns. On this basis, converters with gross bit-rates approaching 300Mb/s are feasible. The inclusion of an external delay line in each stage may push this limit closer to 400Mb/s.

Acknowledgement. — The authors would like to express their gratitude to Dr C. Davis of Cambridge Consultants Ltd, and Mr N. Green of Independent Television Companies Association Ltd for their encouragement during the course of over three years research.

References

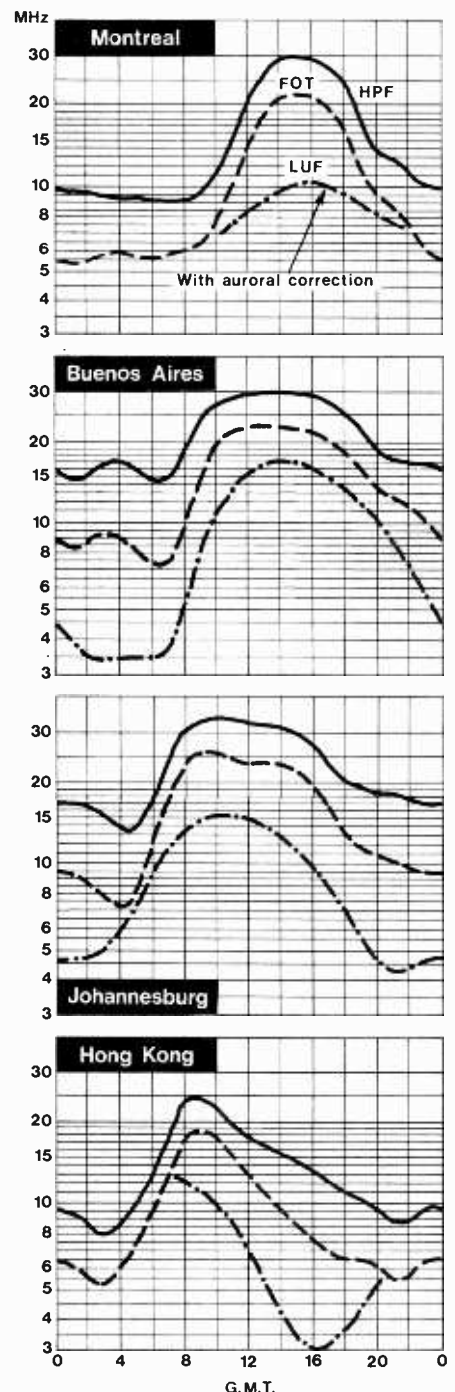
1. Digital video processing/DICE, IBA Technical Review, No. 8, Sept. 1976.
2. Downing, O. J. and Johnson, P. T. *New Electronics*, Vol. 9, No. 20, 19th Oct. 1976.
3. Fletcher, R. Video analogue to digital conversion, pp.47 to 57. *IEE Conference publication 119*, International Broadcasting Convention 1974.
4. Verster, T. C. Method to increase the accuracy of fast serial/parallel analogue to digital converters, pp.471 to 473, *IEEE Trans. on Electronic Circuits*, No. 13, 1964.
5. Davies, C. and Fryers, A. S. Analogue to digital conversion, Private communication and IEE colloquium, Nov. 1976.
6. Henning, H. and Edsen, J. Broadband codecs for an experimental 224M bit/sec p.c.m. terminal, pp.1887 to 1940. *Bell System Tech. Review*, Vol. XLIV No. 9, 1965.
7. High speed analogue to digital conversion, IEE Seminar, Oct. 1975.

Microcomputer seminar

Readers interested in our current series on microcomputer design may like to know that a seminar is being held to introduce the Nascom I minicomputer kit (November issue, p.45) at the Wembley Conference Centre, London, on November 26, starting at 9.50 a.m. Organizers are: Lynx Electronics (London) Ltd, 92 Broad Street, Chesham, Bucks (tel: Chesham (02405) 75154).

HF predictions

Circuit reliability is the product of the probability of ionospheric reflection and the probability of achieving a desired signal to noise ratio and is thus at a maximum somewhere between FOT and LUF. The term FOT, which is the French equivalent of OWF (optimum working frequency), is thus a misnomer since it relates only to skywave probability. However since LUF is dependent on many factors which cannot be generalised it is found satisfactory in practice to take FOT as being what it says it is.



Now even better, even more powerful! The unique wrist calculator.

AVAILABLE ONLY AS A KIT.



A wrist calculator—the ultimate in common-sense portable calculating power. Goes where you go, ready for action at a flick of your wrist.

By virtue of its size, a wrist calculator is different to a pocket calculator. And now this wrist-machine has another difference. It has even more power than some much larger pocket calculators!

And what's more, because it's a kit, supplied to you direct from the manufacturer, it costs just £9.95 (plus 8% VAT, P&P). And for that you get a calculator with extra power, and all the satisfaction of building it yourself!

Put real calculating power up your sleeve.

The Science of Cambridge wrist calculator gives you the full range of arithmetic functions (+, -, ×, =). It uses ordinary algebraic logic, which means you enter calculations as you would write them. It has a % key, the convenience functions, \sqrt{x} , $1/x$, x^2 and a full 5-function memory.

And incredibly, it has a clear-last-entry key, pi, brackets, and \div . It even has an automatic linear metric conversion function!

Very few ordinary calculators have the same functions for the same sort of money.

Now 10 keys can do the work of 32.

All those functions, from just 10 keys? In such a small calculator? The secret lies in the special four-level keyboard. Each level has a different set of functions. Simple two-way switching system allows you to select any keyboard level quickly and easily. Each set of functions is carefully grouped, to let you whisk through calculations with the minimum of switching.

And the answers come up bright and clear, too. The display uses 8 full-size red LED digits. It has wide-angle magnification, and is easily visible under any light conditions.

More battery power, too!

With the Science of Cambridge wrist-calculator, you'll get up to 30 hours use between battery changes (that's a lot of calculating!).

Assembling the Science of Cambridge wrist calculator.

The wrist calculator comes as finished components, ready for assembly. All you need is two or three hours, and a fine-tip soldering iron.

If anything goes wrong, we'll replace damaged components free. We want you to enjoy building the kit, and to end up with a valuable, useful, powerful calculator.

Contents.

Acrylic/ABS case and display window parts. Two-part stitched strap and spring bar clips. PCB. Special direct-drive chip (no interface chip required). Display. Keyboard components. Batteries.

Each of the 34 components is contained in a plastic box; and neatly shrink-wrapped, accompanied by full instructions for assembling and using the calculator. All components are fully guaranteed.

KIT ONLY
£9.95
Plus VAT, P&P

The wrist calculator kit is available only direct from Science of Cambridge. If, for any reason, you're not completely satisfied with your wrist calculator, return it to us within 10 days for a full cash refund. Send the coupon today!

Science of Cambridge Ltd.

(Previously Sinclair Instrument Ltd)

6 Kings Parade, Cambridge, Cambs. CB2 1SN.

To: Science of Cambridge Ltd, 6 Kings Parade, Cambridge, Cambs. CB2 1SN.

*Please send me.....(qty) Science of Cambridge wrist calculators kits, at £9.95 plus 80p Vat and 25p P&P (total £11) each.

(Overseas orders may be subject to postal surcharge)

*I enclose cheque/PO/money order for £.....

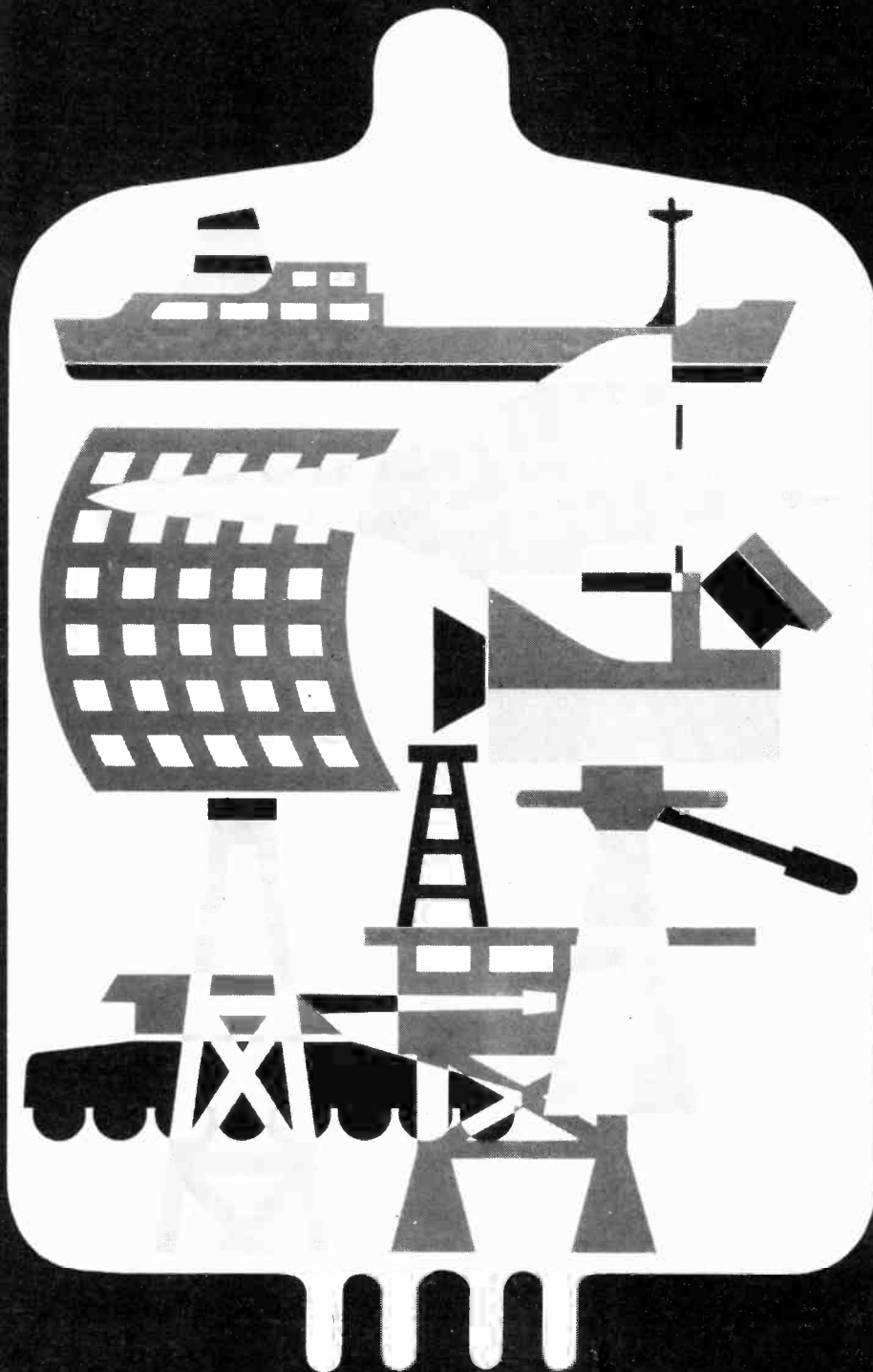
NAME.....

ADDRESS.....

*Complete as appropriate WW/12 (please print)

WW-007 FOR FURTHER DETAILS

'Valves are finished'



their best friends should tell them!

Valves from



THE HOUSE OF POWER

Pinnacle Electronic Components, Electron House, Cray Avenue, St. Mary Cray, Orpington, Kent BR5 3QJ. Phone: Orpington 71531 Telex: 896141 Northern/Midlands Sales Office: 11 Palmyra Square, Warrington. Phone: Warrington 50145. Telex: 627349

WW-022 FOR FURTHER DETAILS

Analogue function generator

A straight-line approximation design

by G. J. Phelps, B.Sc.

This article describes a versatile function approximator, whose analogue input and output signals are related by a segmented characteristic. The function characteristics are made up of a number of straight lines (segments), each one joining the next, at "break points," to form a continuous line. A variable characteristic is obtained by adjusting the position of intersection of any two segments.

The generation of an analogue function from an input variable has many applications, especially in the fields of measurement and process control. An example would be the linearization of a signal from a non-linear transducer in a control system.

The circuit described can be used to generate many functional relationships between its input and output signals, using a straight-line "fit" technique to produce the required characteristic.

Straight line approximators are not new. The diode function generator¹, which is a typical example of past designs, consists of the type of circuit shown in Fig. 1(a). As more of the

feedback diodes are brought into conduction, so the effective amplifier gain alters. A typical characteristic for the circuit is shown in Fig. 1(b).

This scheme has two major drawbacks. Firstly, diode action affects its temperature stability, and secondly, altering one of the feedback resistors means the resetting of all of the resistors that follow it. A different approach is needed in order to obtain versatility.

Mark-to-space-ratio averaging

If we were to apply a zero-to-five-volt square wave to a simple single-time-constant CR smoothing network, any variation of the mark-to-space ratio (m.t.s.r.) would cause a change in the output of the CR smoothing network. This output change has two extreme limits, namely zero and five volts, which correspond to a total absence of a pulse (zero percent m.t.s.r.), and a pure d.c. level of five volts (100% m.t.s.r.), being applied to the input of the CR network. Indeed, the output of the network varies linearly with respect to the m.t.s.r.

Now consider three d.c. levels: zero,

five, and seven volts, for example. Switching between the first two and filtering, as above, will produce a zero-to-five-volt signal depending on the m.t.s.r. However, if we now consider switching in the same way between the last two (five and seven volts), the output of the filter will be somewhere between five and seven volts, depending on the m.t.s.r. This process may be expanded still further.

The circuit described in this text has ten adjacent d.c. levels. Each level can be switched on and off, and there is a criterion that only adjacent pairs of levels can be switched, as in the simplified three-level case above. Interpolation between each level, by the m.t.s.r. process, is the basis of the function generator design.

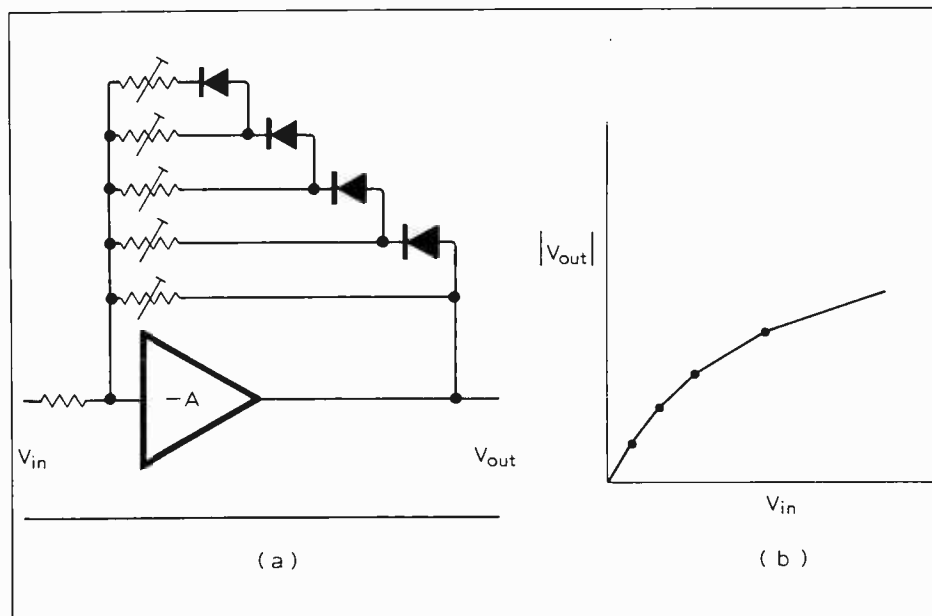
Signal-to-time averaged b.c.d. circuit

The input to the signal-to-time averaged binary-coded-decimal (b.c.d.) circuit lies between set limits. If we choose this input to vary over zero to nine volts, relative to the circuit common, and consider the 0 to 100% variation of the input, we may divide it into nine equal intervals defined by ten input voltages (i.e. 0, 1, 2, 3, 4, 5, 6, 7, 8 and 9V). Call these ten voltages, break voltages.

The ten break voltages correspond to the ten break points of the straight-line function generator, which composes its required function out of a nine-segment line ("fit"). As will be seen later, each break point of the function can be individually adjusted (without affecting any other), so that many different functions may be generated in a highly versatile manner.

The input to the circuit is scaled and fed into the non-inverting inputs of a string of nine comparators (see Fig. 2). Each comparator is set to "trip" (change state) at successively increased voltage levels.

Fig. 1. (a) A typical diode function generator in which the amplifier gain alters as more of the feedback diodes are brought into conduction. (b) shows a typical characteristic for this circuit.



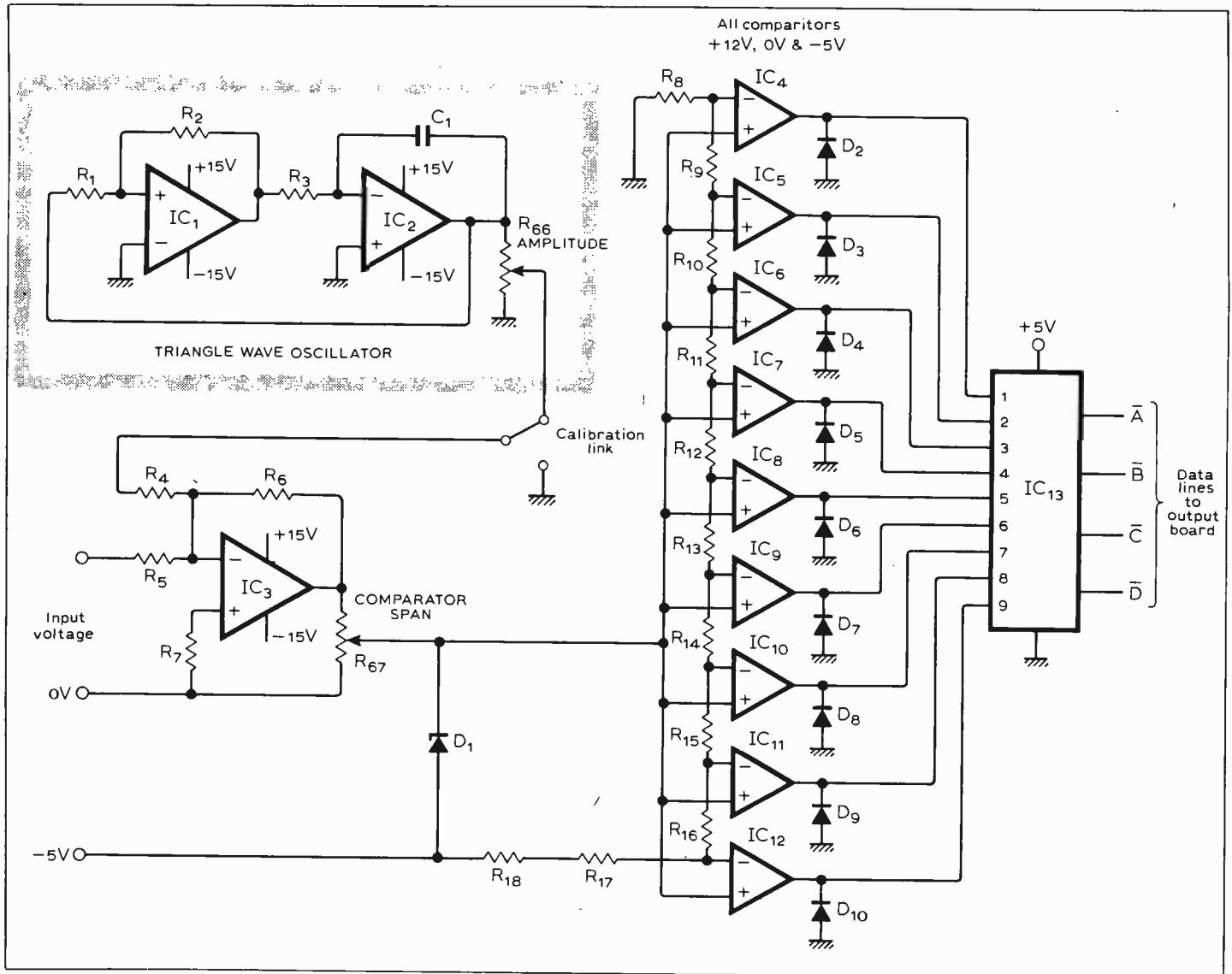


Fig. 2. Signal-to-time-averaged b.c.d. circuit consisting of nine comparators, each set to change state successively as the input voltage-level increases. The output from the encoder i.c. is in inverted-b.c.d. (see text).

The scaling is set such that, as the input voltage passes the break voltages of 1, 2, 3, 4, 5, 6, 7, 8 and 9 volts, comparators 1 to 9 trip in turn.

The output of each comparator passes into an encoder i.c. (SN74147) and the resulting inverted-b.c.d. output from this section of the circuit contains information about the input signal and the input break voltages. The exact value of the input signal relative to the ten input break-voltages is obtained by using a time averaging technique. A triangular wave, of peak-to-peak amplitude equal to the intervals (in this case 1V) between the ten break voltages, is added to the input signal. This resulting signal, which is applied to the input of the comparators, will lie between two break voltages (assuming that the input signal is not mid-way between two break voltages), see Fig. 4.

Consider now one period of the triangle waveform, and observe the

time within the period that the combined signal spends between break voltages. It can be seen that this time, relative to the period of the triangular wave, is a direct function of the magnitude of the input signal. Each time the combined input voltage crosses a break voltage, the comparator for that break voltage will trip and change the b.c.d. output of this section of the circuit. It can therefore be seen that the average state of the b.c.d. output, in terms of time, will yield the exact position of the input signal relative to the ten input break voltages.

Note that for a static input signal, the typical b.c.d. output will consist of two adjacent b.c.d. states; the m.t.s.r. of each state being determined by the input magnitude relative to the ten break voltages.

Output and function generation section

The output circuit converts the time averaged b.c.d. signal of the previous state into a meaningful output. Basically, each b.c.d. state fed into the output section switches on one of ten voltage levels, all of which are pre-set by potentiometers to the functional characteristic required by the user. The

voltage levels are then summed up by a summing amplifier (see Fig. 3). After passing through a second-order RC filter, the resulting signal appears at the output of a buffer amplifier (IC17). Finally, the signal is scaled by the output amplifier.

The actual function generation of the circuit is achieved by mark-to-space ratio averaging, as mentioned earlier. However, here the magnitude of the input signal determines which voltages are switched on and off and what m.t.s.r. is applied to the switching voltages. The user, however, dictates the magnitude of each of the voltages switched, and therefore the way the average of the voltages changes as the m.t.s.r. of each voltage varies. Therefore, the final output of the circuit (after scaling) consists of a nine segment characteristic having ten break points, see Fig. 5. Note that each segment joins smoothly with its adjacent segments. Note also, that the break points are all independently adjustable. This means that virtually any (but not every) characteristic/function may be approximated by a nine segment fit using this circuit.

It would not be difficult to expand on

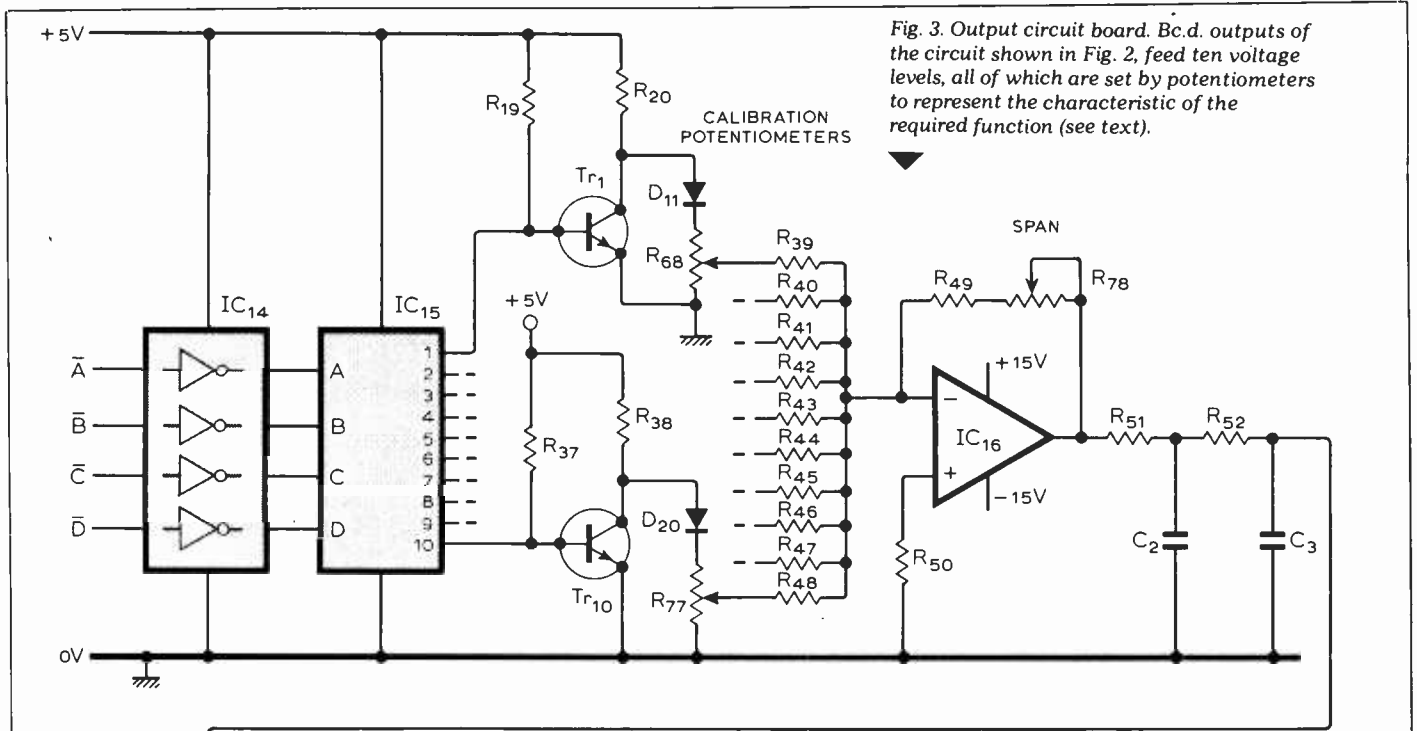


Fig. 3. Output circuit board. B.c.d. outputs of the circuit shown in Fig. 2, feed ten voltage levels, all of which are set by potentiometers to represent the characteristic of the required function (see text).

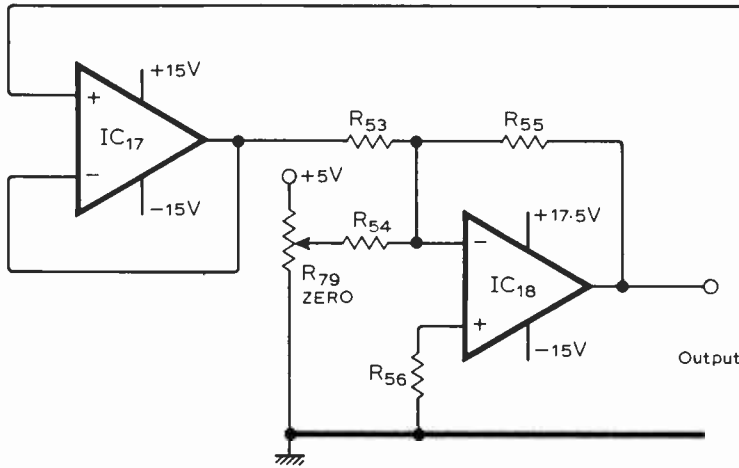


Fig. 4 shows how the time (t_x) – the time which the input signal plus the triangular wave (see text) spends between break voltages – is directly proportional to the magnitude of the input signal. That is, $V_x/V_y = t_x/t_y$.

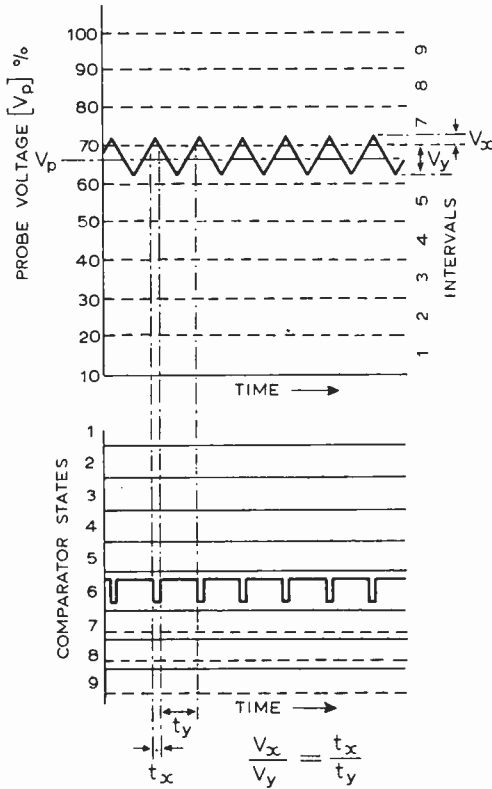
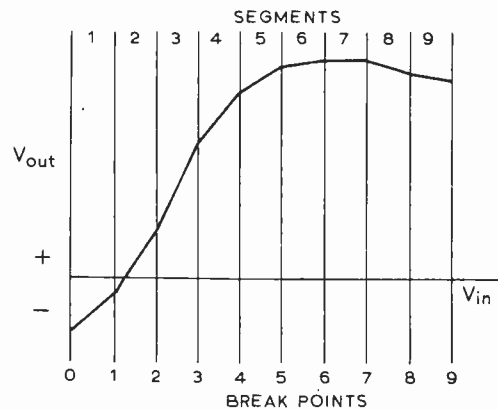


Fig. 5. An example characteristic for the analogue function generator described in the text.



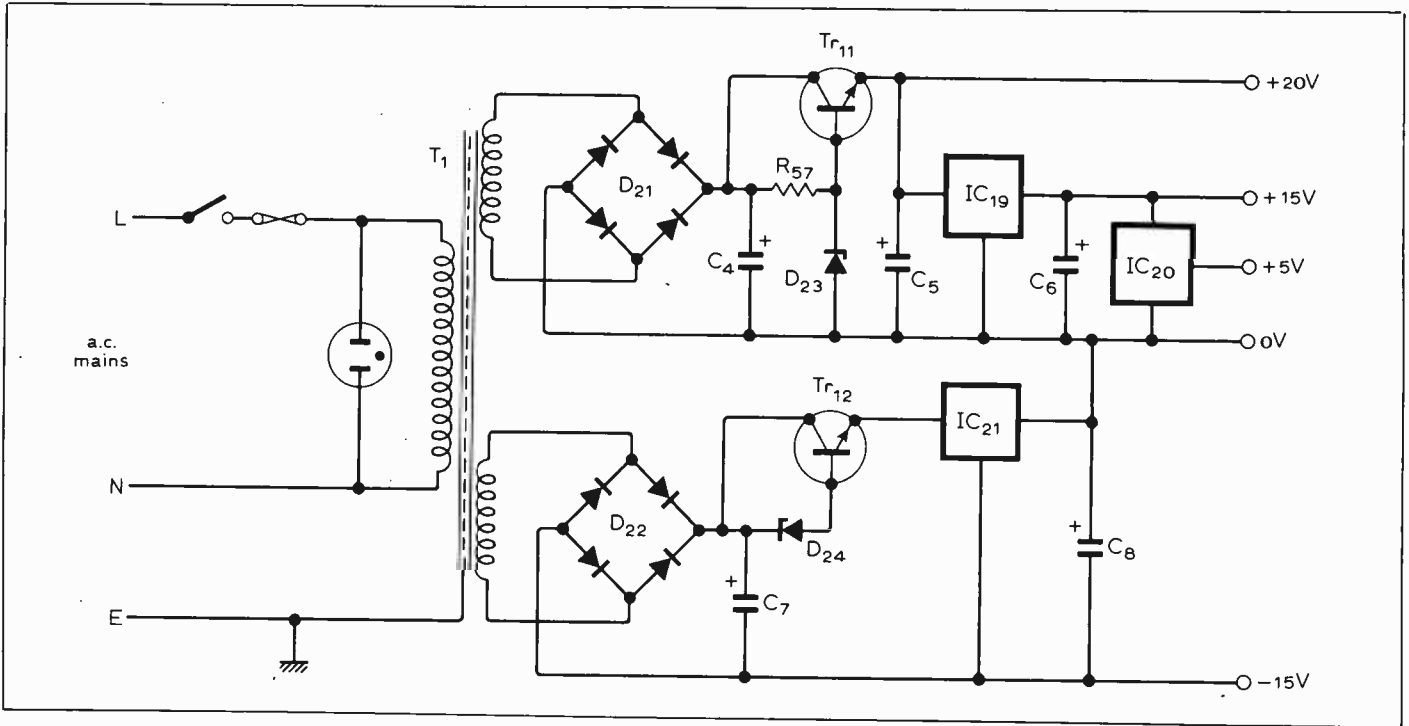


Fig. 6. Main power supply circuit.

the above idea, and produce a fit composed of more than nine segments.

Design considerations

For the circuit to be able to resolve small changes in the input, and convey the information to the b.c.d. signal, the hysteresis effect at the input (differential) of the comparators at small differential signals (specifically at the break points) must be considered. The design should also allow for the slew rate of the comparators so that the relatively fast t.t.l. can respond to the fast-changing differential input signals to the comparators.

In this case a resolution of 0.1% was desired and, with a maximum considered input hysteresis voltage of 5mV, this set the maximum signal to the comparators, for 100% input to the complete circuit, at five volts. The slew rate of the comparators was effectively speeded up by lowering the frequency of the triangular wave to about 200Hz. This gives ample time for the comparators to respond to a 5mV input differential.

The non-inverting input to the comparators is protected by using a zener diode tied to the -5V rail (see circuit). The choice of comparators and b.c.d. encoder i.c. also necessitates the incorporation of diodes D₂ to D₁₀ inclusive. This arises due to the lack of input protection diodes on the l.s.i. chip, and the possible 'harmful' voltage surges at the comparator outputs. The final output of the circuit is provided with full zero and span adjustments so that the output can be calibrated.

The function generator is considerably accurate, because the conversion is largely digital. The prototype, which used metal film resistors and cermet

potentiometers, showed a negligible change due to ambient temperature fluctuations.

There are many applications for this circuit. They include linearity correction of non-linear signals, generation of mathematical functions, and the generation of voltage programming functions.

Generation of periodic waveforms

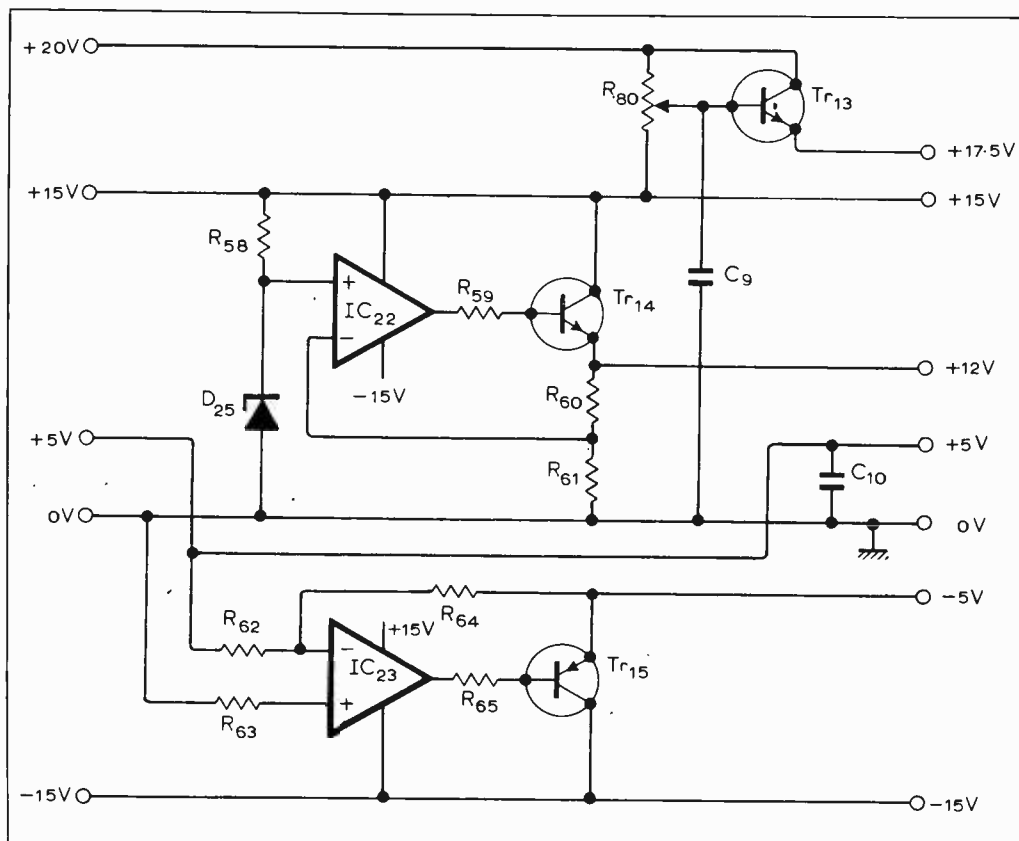
The following is as an application example of the analogue function generator being used to produce continuous functions, of variable period

and complex shape. This may sound difficult, but it is really very easy.

Consider the arranged input/output characteristic (or transfer function) of the analogue function generator to be a single period of the first waveform in Fig. 8. Remember, that this complex function has been pre-programmed into the analogue function generator by use of the adjustable trimpots R₆₈ to R₇₇.

Now, by using a ramp generator attached to the input of the analogue function generator, the output of the last-mentioned generator will follow

Fig. 7. Power supplies for the mother board.



the programmed characteristic as the ramp rises, returning back to the start of the characteristic as the sharp edge of the ramp falls. Therefore the output of the analogue function generator will be a continuous complex function, of programmable shape and period equal to that of the ramp input. Fig. 8 shows examples of repetitive waveforms generated in this manner.

Component list

Resistors (all 2% metal oxide unless otherwise stated)

1	39k
2	100k
3	22k
4, 5	3k
6	6.8k
7	1.2k
8-17	825, 1% or better
18	1.5k
19-37 (odd)	39k, 10% carbon
20-38 (even)	4.7k
39-48	2k
49	220k
50	1.2k
51, 52	220k, 10% carbon
53, 54	1k
55	2k
56	200
57	120, 10% carbon
58	1.2k
59	130, 10% carbon
60, 61	1.2k
62	1k

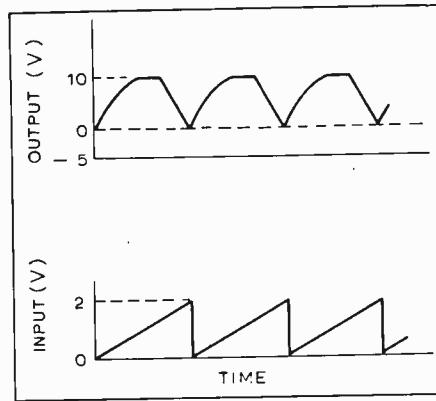


Fig. 8. Examples of periodic waveforms which can be produced by the analogue function generator

63	470, 10% carbon
64	1k
65	1.5k

Variable resistors (Cermet trimmers)

66, 67	10k
68-77, 79	1k
78	50k

Diodes

1	6.8V 5% 400mW zener
2-20	1N914
21, 22	100V 2A bridge rectifier
23	20V
24	5.6V
25	6.2V

} 5% 400mW zeners

Integrated circuits

1-3	μ A741C
4-12	μ A710
13	SN74147
14	SN7404
15	SN7442
16-18	μ A741C
19, 21	μ A7815 regulator (1A)
20	μ A7805 regulator
22, 23	μ A741C

All available from Bi-Pak Electronics, Ware, except IC₁₃ which can be obtained from Aries Electronics, Maidenhead

Transistors

1-10	2N3709
11	2N3055
12-14	2N3053
15	2N2904

Transformer

Primary: 240V r.m.s.
Secondary: 2 x 20V r.m.s. at 300mA
Barrie Electronics, London

Capacitors (μ F unless otherwise stated)

1	220n
2, 3	2.2
4, 7	680E
5	10E
6	22E
8	6.3E
9, 10	10n

Reference

1 Crump, A. E. Diode function generators, *Wireless World*, Dec. 1967, pp. 594-598.

A set of two p.c.bs for the function generator and power supply is available for £7 inclusive from M. R. Sagin at 23, Keyes Road, London NW2.

Matrix HJ: technical refinement and political jostling?

Last month the BBC strongly reacted to a recent FCC subjective evaluation of surround reproduction system by publicly criticising the FCC Laboratory "not for what they have done so much as the limitations that they pose". The report, part of an FCC Inquiry into "Quadraphonic" broadcasting, showed SQ was preferred to other two channels systems and H and QS in musical preference tests for "quad", stereo and mono. And in what could be viewed as preparation for a united front to the FCC Inquiry, as well as a response to recent criticism of Matrix H broadcasts, the BBC Matrix H surround formula has been changed.

From about half way through the promenade concerts the centre front phase difference - until then 48° - was changed "fairly significantly", C. B. B. Wood head of engineering information told WW "and the sort of figures we are talking about are 28°, 29° and 30°".

The change from Matrix H to HJ follows criticism of the stereo compatibility of Matrix H broadcasts, particularly of the proms, now no longer described as completely "unimpaired".

The BBC had kept the change quiet to avoid prompting listeners but at an IEE lecture on the 13th October, the change was made public. They almost got through the proms without any response: the 30 letters received were largely "self cancelling" they said. At the meeting David Meares described

the change to HJ as "slight" and combining "most of the worthwhile features of H and J". The tentative HJ is actually in the form of tolerance zones on the phase-amplitude or energy sphere. "Zones are really the only way" the BBC now say, because of the variety of microphone techniques. The zone broadly encompasses those points covered by phase-reduced centre-front H and J loci. Front left and right points are reduced in phase from 75° to 60° and also in amplitude. "To give credit where it is due" said the lecturer, "the format was jointly agreed with Michael Gerzon and the BBC". They hope to sort it out by the end of the year and plan further experiments within its confines. If this is "firmed up" it would then appear to provide an opportunity to argue the FCC tests to be invalid.

First discussions with the J team were kept a secret at the BBC's request, a move that could have an advantage in giving a better impression of unity than might actually be the case. There is certainly not much apparent unity between the two broadcast organizations. Whilst not disagreeing so much with Meares' analysis of the FCC report, they certainly were at odds over the feasibility of a narrow band third channel system. With the BBC refusing to take the issue any further and the IBA revving to go, given the manpower, the pointed remark by Meares, "We look forward to hearing more

details of this", drew comment from the IBA engineers at the meeting.

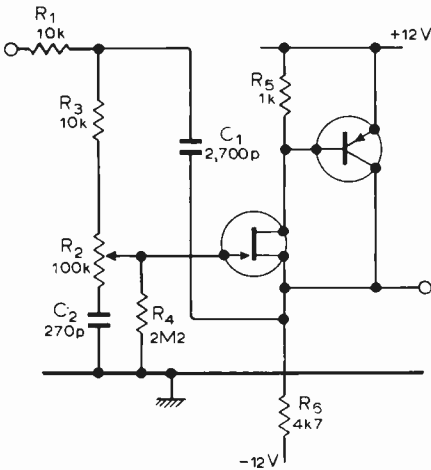
The attitudes of the two organizations are well illustrated in two recent pronouncements. "The penalty of the extra channel may be very much smaller than initially supposed" (Alan James, IBA, IEE meeting, October 13th). "We are filled with doubt as to whether a three channel system would ever get off the ground in Europe. Stranger things have happened of course. But the way to prove the pudding is well known. We would like to see someone conduct a one-year test of the three channel system and we would like to know at the end of the year how many three channel tuners and three track cassette decks the service had attracted" (C. B. B. Wood, AES Annual Dinner, 13th September, 1977).

● In answer to a query by David Read on circuit alterations to the BBC Matrix H decoder design (June issue, page 34) Meares said that although he had not put pen to paper on the effect, he couldn't tell the difference between an HJ encoding and an H encoding through an H decoder. In any case further changes may still be made. BBC Research Department tell us that due to unequal loading on the phase shift circuits in the BBC H decoder circuit, they recommend a directly-coupled emitter follower be inserted following each of the three summering circuits. Emitter load should be 10k Ω .

Circuit Ideas

Variable slope low-pass filter

An important feature of audio pre-amplifiers is a low-pass filter to limit the bandwidth at high frequencies. It is desirable to incorporate a variable slope device as this allows the amount of filtering to be selected for a particular programme source. A Sallen-Key design is suitable for second order filtering and the circuit may be realized with any suitable form of unity gain amplifier. This circuit uses an enhanced source follower which offers a high input impedance, low input bias current, and low distortion. The low bias current enables the gate of the f.e.t. to be directly coupled to the slider of the potentiometer. Resistor R_4 prevents any



noise occurring from the slider and R_3 restricts the fractional setting of R_2 to about 0.1. This ensures that there is an ultimate roll off above audible frequencies, and also prevents any stray capacitance at the amplifier input from forming a high Q filter.

With the values shown the turnover frequency is about 6kHz and the attenuation with minimum slope is about 2dB at high frequencies. Combined with a simple CR network, the slope can be adjusted between 6 and 18dB/octave but the author's preference is to use a second switched Sallen-Key filter with fixed slope to give a total variation from 0 to 24dB/octave.

R. J. Tidey,
Oxford.

Long duration c.m.o.s. monostable

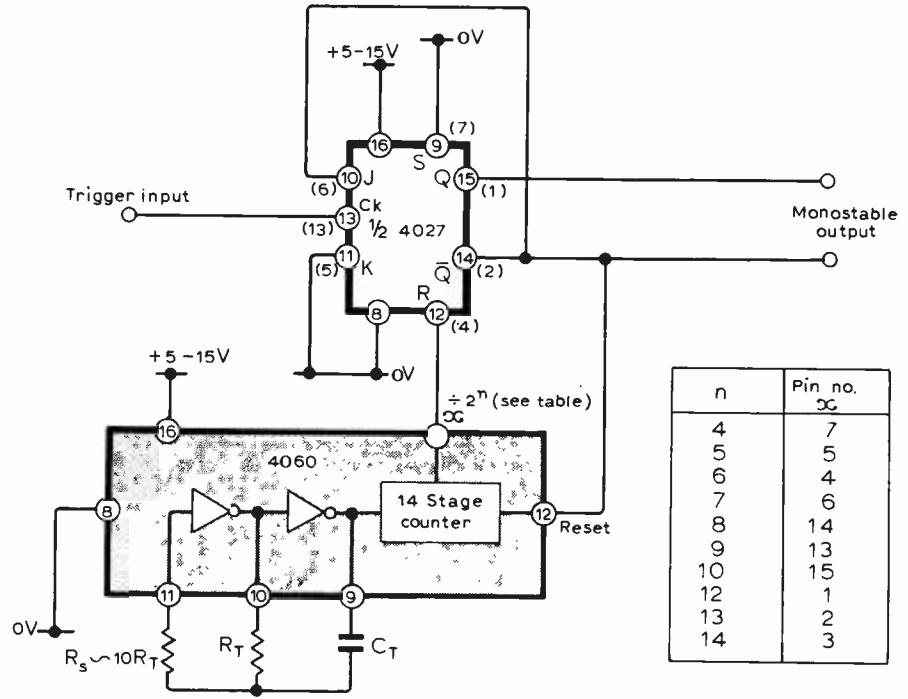
The duration of a pulse from standard c.m.o.s. monostable i.cs is affected by temperature changes and other short term variations. When accurate pulse duration is required, a more stable circuit can be made using a 4060 14-stage counter and oscillator, and half of a 4027 dual JK flip-flop.

Initially, the dividers are held at 0V by a high on their reset line. A monostable pulse is triggered by a positive edge which sets Q to a high, clears the reset line, and allows the counters to operate. After 2^{n-1} counts, the $+2^n$ output goes

high to reset the bistable and zero the counters. Pulse duration is approximately $2^{n-1} \times 2.2 \times R_T \times C_T$ seconds and the variation, in normal room temperatures, is about 0.5%. Variation in supply voltage will increase this figure.

Apart from stability, this circuit has the advantage of long variable pulse times with good linearity. Application notes ICAN 6086 and 6539 from RCA give details of a crystal control which can be used to produce even more stable, fixed durations.

R. Price,
Medical Physics Department,
Leeds University.



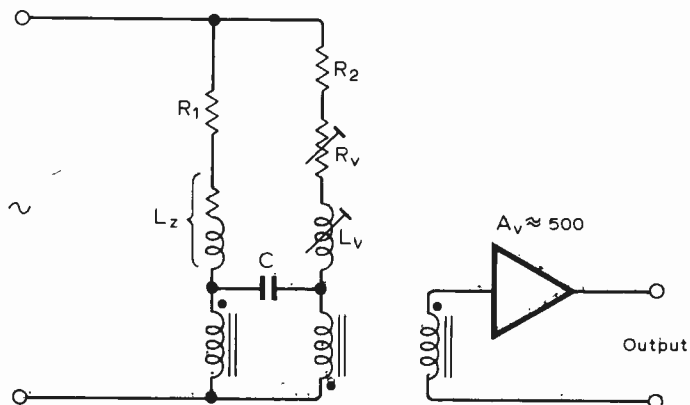
Inductance bridge

This circuit was developed to replace a high cost differential amplifier used with a.c. bridge circuits. A pulse transformer with 3 windings is connected in series with the lower limbs of the bridge. Decade resistance box R_v , and variable inductor L_v , are used for fine balancing while the ratio R_1/R_2 provides a coarse adjustment. As the bridge is brought towards balance, the inductance of the transformer drops rapidly to its leakage value which causes an increase in sen-

sitivity of the system. The third winding is followed by an amplifier with a gain of about 500. If this is fed into a transistor threshold detector it is possible to detect inductance changes of less than 0.1µH in 30µH.

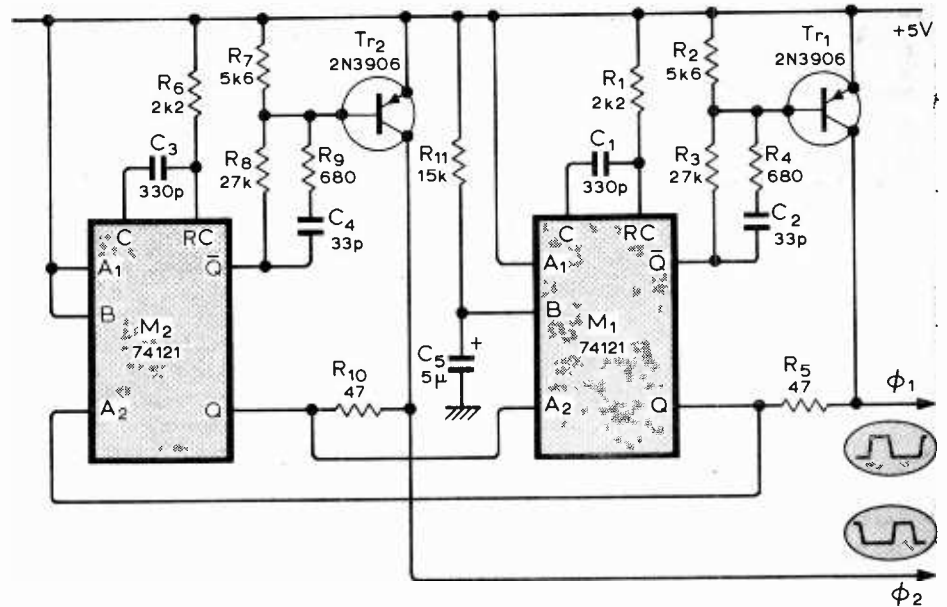
If the unknown limb is used in a noisy environment the interference can be filtered and fed into the known limb through capacitor C to produce a cancellation.

G. C. Kervill & T. Austin,
Sacol Controls,
Southampton.



Microprocessor 5V clock generator

Many microprocessors require a clock with a full 0 to 5V swing. Standard c.m.o.s. circuits are unable to provide sufficiently fast rise and fall times and, although t.t.l. has the required speed, the high level needs forcibly pulling up to the 5V rail. The 74121 monostable has a \bar{Q} output which may drive a fast switching transistor, which in turn pulls the Q output up to 5V during a logic 1 as shown. An appropriate threshold for Tr_1 is provided by the potential divider R_2, R_3 . Capacitor C_2 ensures that the transitions are shorter than 50ns, and excessive overshoot or ringing is prevented by the damping resistors R_4 and R_5 . For the M6800 microprocessor, two non-overlapping clock phases are required with a frequency of approximately 1MHz. These waveforms may be obtained by connecting two monostables in a ring. The values shown for the timing components give approximately 500ns pulse lengths. If a single 74123 is used for M_1 and M_2 there



will be no spare A inputs to 5V, but the spare clear inputs must be tied to the supply rail. Also, R_1 and R_6 should be increased to 3k9Ω. The circuit will drive loads of 150pF and keep within Motor-

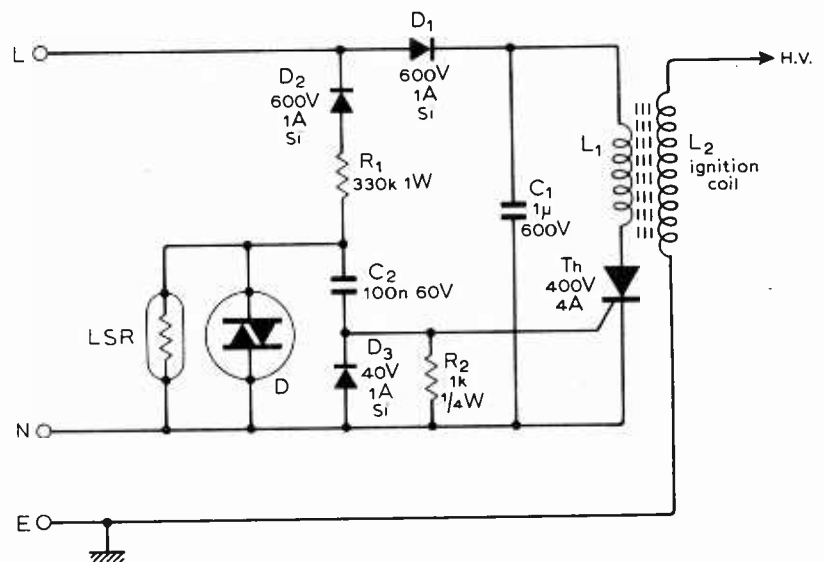
ola's specified requirements for the M6800.
 Tim Perkins,
 MRC Neurological Protheses Unit,
 London S.E.5.

Line charged h.v. pulse circuit

On the positive half cycle of the mains, C_1 charges to peak line voltage through D_1 . On the negative half cycle, C_2 is charged through D_2, D_3 and R_1 , to the peak voltage of diac D . When the diac fires at about 30V, C_2 discharges partially through the gate circuit of the thyristor. The thyristor then turns on and discharges C_1 through the primary of a car ignition coil, which generates a 20kV pulse in L_2 . This sequence repeats 50 times per second.

The light sensitive resistor prevents the circuit firing if illuminated by a light source such as the flame in an oil burner which is ignited by a h.v. spark.

A. Refsum,
 The Queen's University of Belfast.

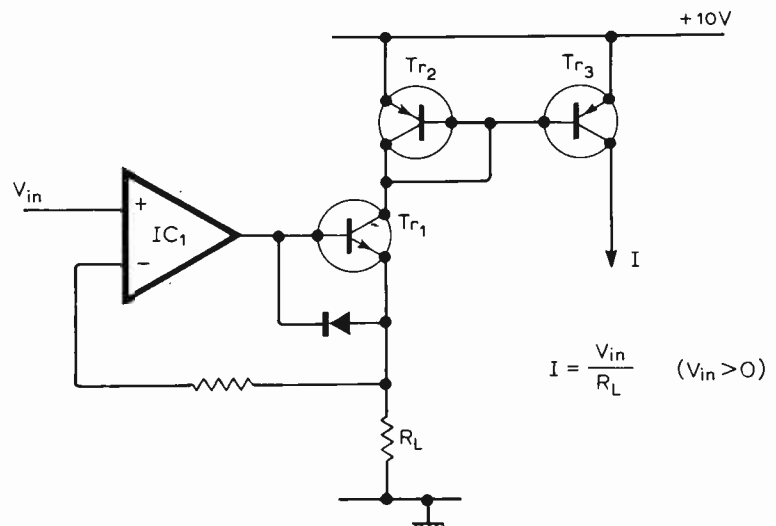


Earth referenced V to I

Circuits often require a voltage controlled current source in which a variable load is connected directly to earth. Most operational amplifier configurations produce either a current source or sink referenced to the supply rail. This circuit produces a voltage controlled current which may be injected to the earth rail via the load.

The operational amplifier and Tr_1 act as a voltage controlled current sink. The balanced tracking of the current mirror Tr_2 and Tr_3 is used to convert this sink current to a source current. The circuit has good thermal stability and a linearity to within 3% for output currents up to 3mA. This circuit also develops the full supply voltage across the load.

B. Wilson & K. Patel,
 University of Technology, Baghdad.

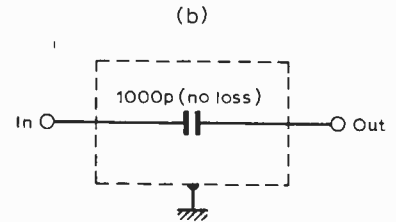
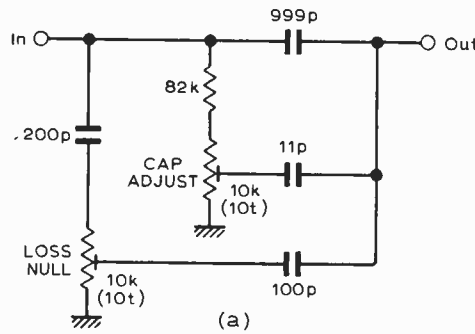


$$I = \frac{V_{in}}{R_L} \quad (V_{in} > 0)$$

"No loss" capacitor

This simple circuit provides a "perfect" capacitor at frequencies below about 100kHz. The principle has been used to construct fixed-frequency capacitance standards for use in an accurate capacitor bridge. An oven mounted prototype provided a stability of one p.p.m. and a residual phase angle difference from pure capacitance of one micro-radian. All capacitors are silver mica types.

B. J. Frost,
Paignton,
S. Devon.

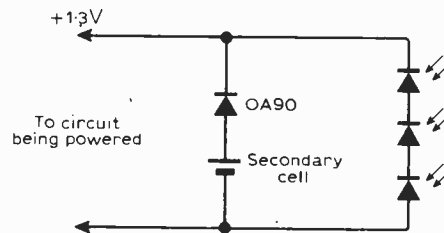


Automatic micropower battery charger

In micropower equipment it is sometimes necessary to switch between an intermittent power source, such as a solar cell, and a storage battery which must be kept charged. The circuit shown offers this facility with very few components. When the solar cell voltage is 0.2V below the battery voltage, the circuit is powered through the forward biased diode. When the cell voltage is greater than the battery voltage, the battery is charged by an approximately constant reverse leakage current from the diode. The diode, which may be a Germanium point con-

tact or junction type such as an OA90 or OA73, should be selected for a suitable reverse leakage current. The battery can be a manganese-alkaline type or a Zn-AgO watch type cell.

M. Hadley,
University of Southampton.



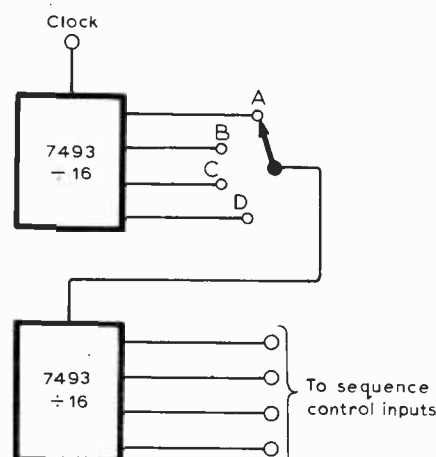
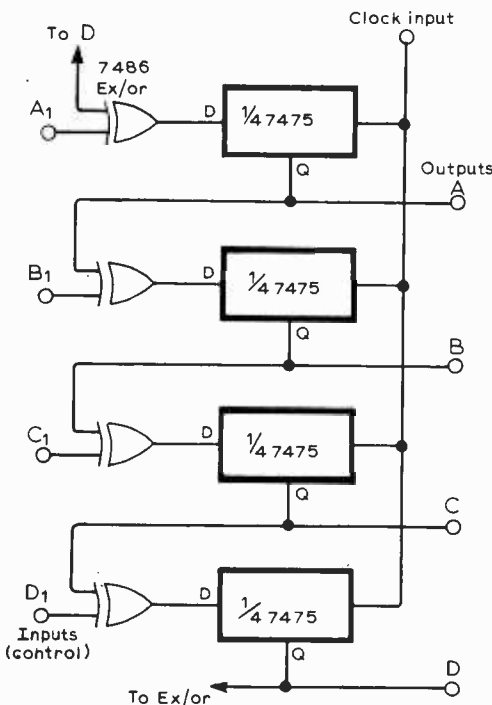
Sequence generator

This sequence generator uses a gated shift register made from a 7475 D-type latch, and four exclusive OR gates. A

simple programmer can also be constructed using two 7493 binary counters. The outputs can be used as a signal source for a synthesizer, or as a sequencer for a lighting unit.

The clock pulse should be narrow to avoid race-round effects. If desired, a 74175 can replace the 7475, as this has a clear input which may be useful for resetting.

P. D. Maddison,
Portsmouth,
Southampton.



Books Received

Modern Electronics Made Simple by George H. Olsen is suitable for O and A level students or those teaching themselves general electronics. This book is one from a series of 67 different titles and, judging by some of the other titles such as *Electronic Computers, Mathematics, and Electricity*, the areas which are not covered in this book can be found in one of the others. Fifteen chapters deal with components, amplifiers, radio and television, digital electronics, power supplies, oscillators, and high-fidelity. Each chapter has a few questions at the end, and a final chapter describes ten projects. Price £2.95. Pp. 306. W. H. Allen & Co. Ltd, 44 Hill Street, London W1X 8LB.

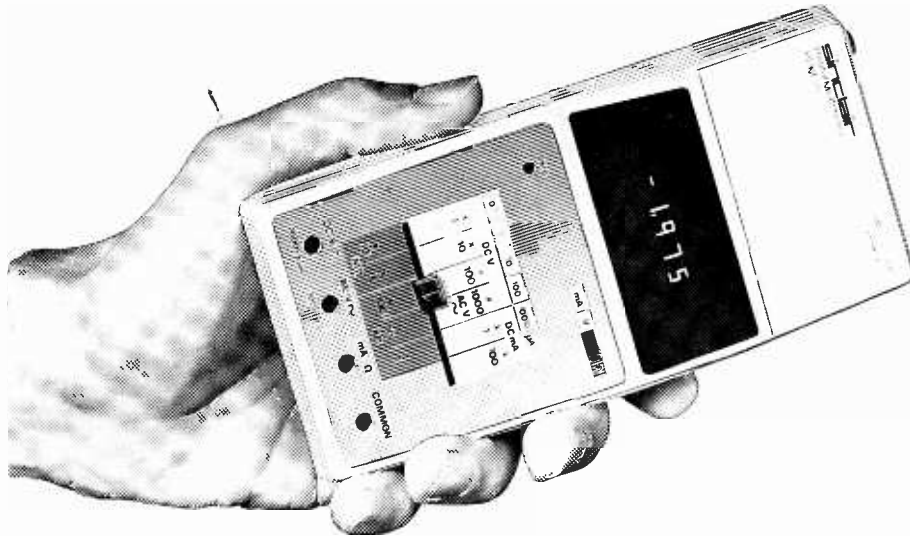
Advanced Data-Transmission Systems by A. P. Clark is based on research, and lecture courses in digital communications at Loughborough University of Technology. The book is intended for practising or student engineers and deals with principles and techniques rather than practical considerations. Mathematical analysis is used where necessary together with worked examples. The emphasis is on future systems and, although many of the systems described have not been built, they have all been studied by computer simulation and theoretical analysis. The main purpose of these techniques is to enable the maximum transmission rate to be achieved over a linear channel, for an acceptable tolerance to noise, and an acceptable degree of equipment complexity.

After an introductory section, chapter 2 develops the theory of the discrete Fourier transform using matrix algebra and then applies it to the analysis and distortion in a sampled baseband signal. Chapter 3 develops the theory of optimum detection and estimation of a sampled baseband digital signal and applies the theory to cases where the noise is Gaussian. The final three chapters cover techniques for detecting distorted digital signals in synchronous serial data-transmission systems and parallel systems, which use code-division multiplexing. Price £12.50. Pp. 427. Pentech Press, 4 Graham Lodge, Graham Road, London NW4 3DG.

Manual of Solid State Circuit Design and Troubleshooting by Vester Robinson starts by covering the characteristics and biasing of semiconductor devices, together with design considerations. Subsequent chapters deal with audio and radio frequency circuits, signal-generating circuits, and power supplies. Design examples and graphical information are given where appropriate. The final two chapters describe bench testing procedure and troubleshooting techniques. Price £15.15. Pp. 413. Prentice/Hall International, 66 Wood Lane End, Hemel Hempstead, Herts HP2 4RG.

The Sinclair PDM35.

A personal digital multimeter for only £29.95 (+8% VAT)



Now everyone can afford to own a digital multimeter

A digital multimeter used to mean an expensive, bulky piece of equipment.

The Sinclair PDM35 changes that. It's got all the functions and features you want in a digital multimeter, yet they're neatly packaged in a rugged but light pocket-size case, ready to go anywhere.

The Sinclair PDM35 gives you all the benefits of an ordinary digital multimeter – quick clear readings, high accuracy and resolution, high input impedance. Yet at £29.95 (+8% VAT), it costs less than you'd expect to pay for an analogue meter!

The Sinclair PDM35 is tailor-made for anyone who needs to make rapid measurements. Development engineers, field service engineers, lab technicians, computer specialists, radio and electronic hobbyists will find it ideal.

With its rugged construction and battery operation, the PDM35 is perfectly suited for hand work in the field, while its angled display and optional AC power facility make it just as useful on the bench.

What you get with a PDM35

- 3½ digit resolution.
- Sharp, bright, easily read LED display, reading to ±1.999.
- Automatic polarity selection.
- Resolution of 1 mV and 0.1 nA (0.0001 μA).
- Direct reading of semiconductor forward voltages at 5 different currents.
- Resistance measured up to 20 MΩ.
- 1% of reading accuracy.

Operation from replaceable battery or AC adaptor.
Industry standard 10 MΩ input impedance.

Compare it with an analogue meter!

The PDM 35's 1% of reading compares with 3% of full scale for a comparable analogue meter. That makes it around 5 times more accurate on average.

The PDM35 will resolve 1 mV against around 10 mV for a comparable analogue meter – and resolution on current is over 1000 times greater.

The PDM35's DC input impedance of 10 MΩ is 50 times higher than a 20 kΩ/volt analogue meter on the 10 V range.

The PDM35 gives precise digital readings. So there's no need to interpret ambiguous scales, no parallax errors. There's no need to reverse leads for negative readings. There's no delicate meter movement to damage. And you can resolve current as low as 0.1 nA and measure transistor and diode junctions over 5 decades of current.

Technical specification

- DC Volts (4 ranges)**
Range: 1 mV to 1000 V.
Accuracy of reading 1.0% ± 1 count.
Note: 10 MΩ input impedance.
- AC Volts (40 Hz-5 kHz)**
Range: 1 V to 500 V.
Accuracy of reading: 1.0% ± 2 counts.
- DC Current (6 ranges)**
Range: 1 nA to 200 mA.
Accuracy of reading: 1.0% ± 1 count.
Note: Max. resolution 0.1 nA.
- Resistance (5 ranges)**
Range: 1Ω to 20 MΩ.
Accuracy of reading: 1.5% ± 1 count.
Also provides 5 junction-test ranges.
- Dimensions:** 6 in x 3 in x 1½ in.
- Weight:** 6½ oz.

Power supply: 9 V battery or Sinclair AC adaptor.

Sockets: Standard 4 mm for resilient plugs.

Options: AC adaptor for 240 V 50 Hz power. De-luxe padded carrying wallet. 30 kV probe.

The Sinclair credentials

Sinclair have pioneered a whole range of electronic world-firsts – from programmable pocket calculators to miniature TVs. The PDM35 embodies six years' experience in digital multimeter design, in which time Sinclair have become one of the world's largest producers.

Tried, tested, ready to go!

The Sinclair PDM35 comes to you fully built, tested, calibrated and guaranteed. It comes complete with leads and test prods, operating instructions and a carrying wallet. And getting one couldn't be easier. Just fill in the coupon, enclose a cheque/PO for the correct amount (usual 10-day money-back undertaking, of course), and send it to us.

We'll mail your PDM35 by return!
Sinclair Radionics Ltd, London Road, St Ives, Huntingdon, Cambs., PE17 4HJ, England. Regd No: 699483.

To: Sinclair Radionics Ltd, London Road, St Ives, Huntingdon, Cambs., PE17 4HJ.

Please send me _____ (qty) PDM35(s)
@ £33.00 (inc £2.40 VAT and 65p P&P) each: _____ £ _____

_____ (qty) De-luxe padded carrying case(s) @ £3.00 (inc VAT and P&P) each: _____ £ _____

_____ (qty) AC adaptor(s) for 240 V 50 Hz power @ £3.00 (inc VAT and P&P) each: _____ £ _____

I enclose cheque/PO made payable to Sinclair Radionics Ltd for (indicate total amount): _____ £ _____

I understand that if I am not completely satisfied with my PDM35, I may return it within ten days for a full cash refund.

Name: _____

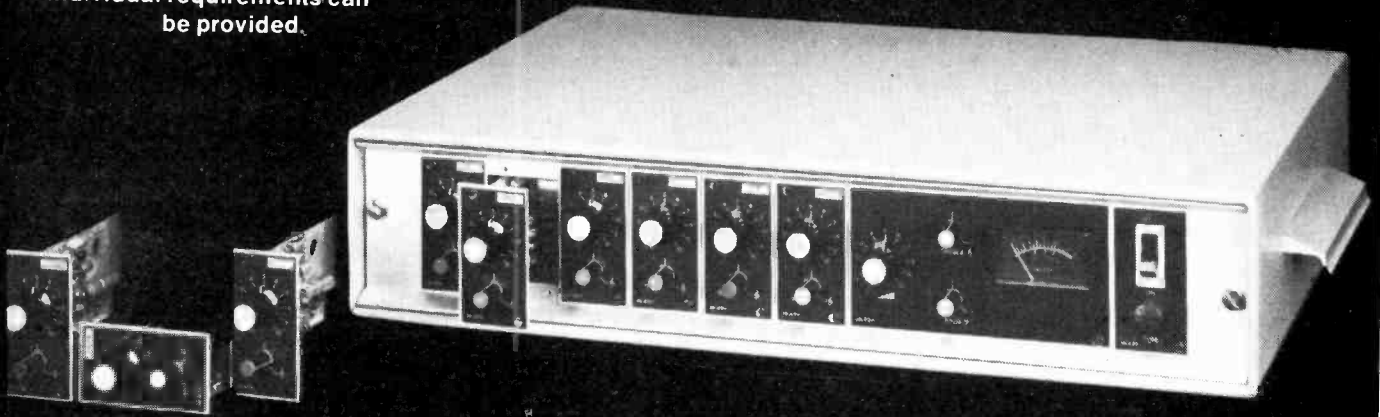
Address: _____

_____ WW/12

WW—008 FOR FURTHER DETAILS

'Wenden' range modular amplifiers

A range of communications amplifiers having power ratings from 15 to 200 watts, plug-in input facilities ensure individual requirements can be provided.



Manufacturers of
sound systems
and electronics

Station Road, Wenden
Saffron Walden
Essex CB11 4LG
Saffron Walden
(0799) 40888

audix

**AEROSPACE·BLOODFLOW·COMMUNICATIONS
DIESELS·EDUCATION·FACSIMILE·HYDRAULICS
MACHINE TOOLS·NON-DESTRUCTIVE TESTING
OCEANOGRAPHY·POWER SYSTEMS
QUALITY CONTROL·RAIL&ROAD TRANSPORT
SIESMOLOGY·TELEMETRY·ULTRASONICS
VOICEPRINTS·WELDING**

Some of the many applications for Medelec Fibre Optic Recorders

Since the introduction of Medelec's range of Fibre Optic Recorders the instruments have become involved in ever-widening fields of industry and research.

We now have valuable background information available on a wide variety of applications. Please circle the number below and we will send you a free copy of our Technical Information Service Brochure (No. 51) which gives broad outline data.

Alternatively, please let us know if you have a specific field of interest on which detailed information would be more useful.

medelec

MEDELEC LIMITED
Manor Way, Woking, Surrey, U.K.
Telephone: Woking (0482) 70331
Telegrams: Medelec, Woking

WW-020 FOR FURTHER DETAILS

Synthesized f.m. transceiver — 2

The receiver and transmitter sections

by T. D. Forrester, G8GIW

Part 1 of this article described the synthesizer and oscillator sections of the transceiver and discussed the method employed for channel and mode selection. This second part describes both the transmitter and receiver sections and concludes with some tips on construction and the alignment procedure.

The receiver part of the transceiver uses standard and well-proven circuitry and should have no alignment or constructional problems. Figure 5 shows the circuit diagram for the receiver.

Tr₅ is a dual-gate m.o.s.f.e.t. which is used as a r.f. preamplifier. It has just enough gain to overcome the mixer

noise and consequently it helps to ensure a good dynamic range. Tr₆ is another dual-gate m.o.s.f.e.t. This device converts the 145MHz signals to the i.f. frequency of 10.7MHz. It has a resistive drain load and feeds the 10.7MHz crystal filter, which gives the receiver all its selectivity. It must therefore be a top quality item.

The bulk of the receiver gain is produced after the filter by the SL612 and the HA1137 f.m. discriminator. This also helps to ensure a good dynamic range combined with excellent sensitivity. The squelch control is a built-in function of the HA1137 and is sensitive

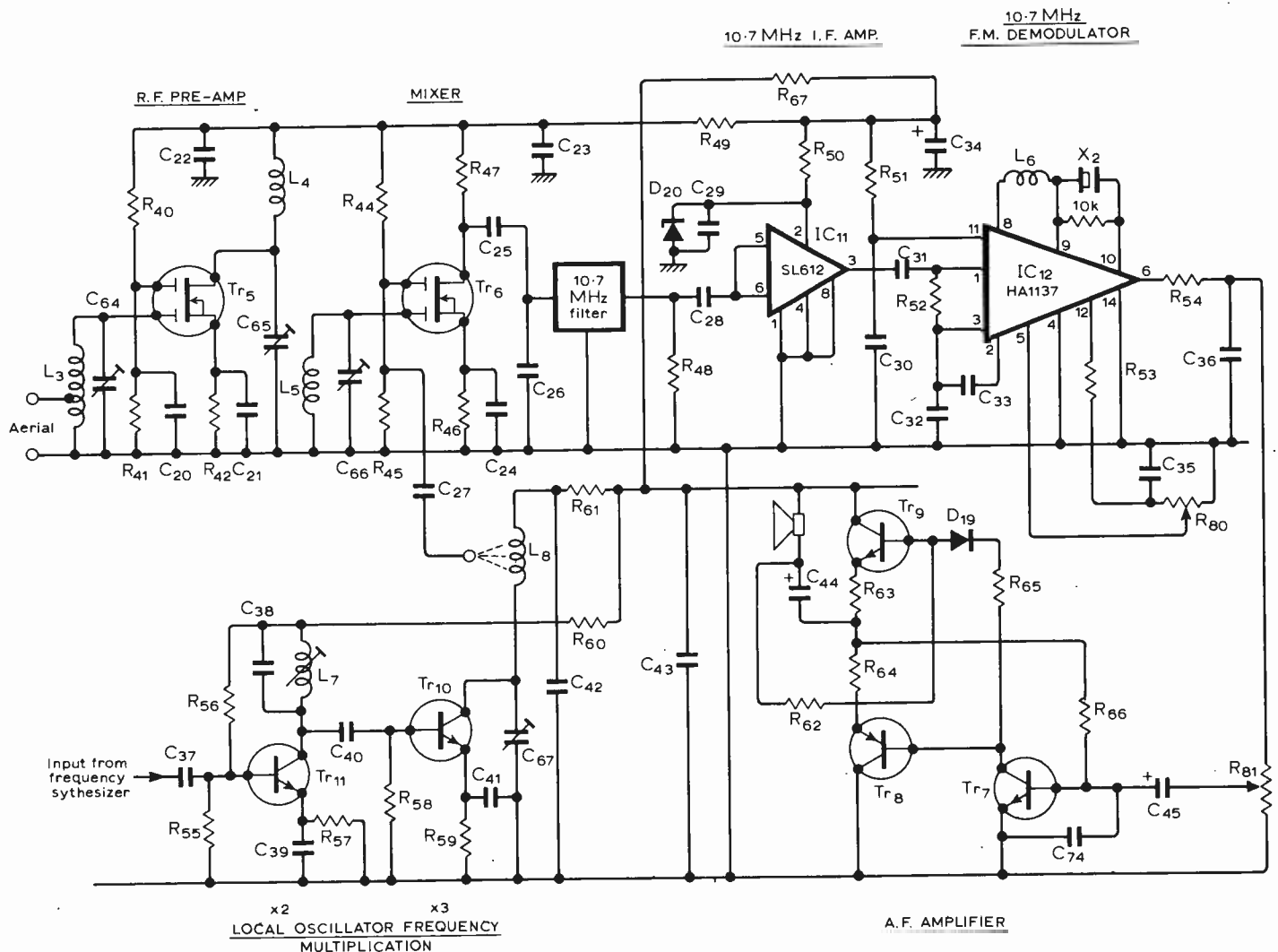
enough to be lifted by a 0.2µV signal at 145MHz.

Tr₇, Tr₈ and Tr₉ act as the a.f. power amplifier, developing 200mW into an 8Ω load.

Tr₁₀ and Tr₁₁ form the frequency

Fig. 5. Circuit diagram of the receiver section of the transceiver. Selectivity is determined by the bandwidth of the 10.7MHz crystal filter in the i.f. circuit.

Correction: First frequency multiplier stage requires a 1000pF decoupling capacitor between top of tuned circuit and earth.



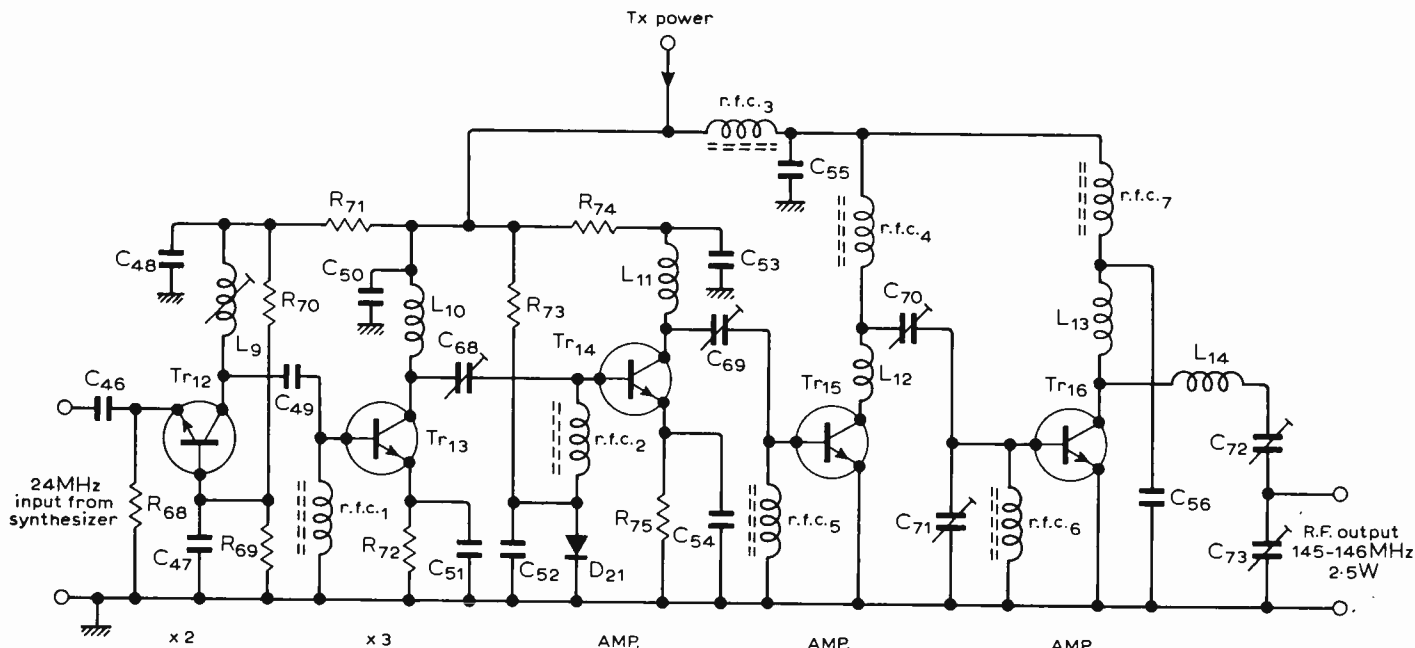


Fig. 6. Circuit diagram of the transmitter multipliers and power amplifiers.

multiplication circuit needed to convert the 22MHz signal to the required 134MHz local oscillator frequency. Tr₁₁ is a Class B doubler, bringing the frequency up to 44MHz, and Tr₁₀ is a Class C tripler, which converts this to approximately 134MHz.

In terms of sensitivity, noise figures, dynamic range and selectivity, the performance of the receiver is excellent; indeed it is very much better than some of the commercial transceivers available to the radio amateur.

The transmitter

As stated previously, the transmitter is based on a Mullard design, which was developed some years ago. It has been slightly modified to ease alignment problems associated with transmitter frequency multiplication. The circuit diagram for the transmitter multipliers and power amplifiers is shown in Fig. 6.

Tr₁₂ acts as a Class B grounded-base frequency doubler for bringing the 24MHz synthesizer frequency to 48MHz. Tr₁₃, with its collector tuned to the 145MHz band, acts as a Class C frequency tripler.

Tr₁₄ is a 145MHz amplifier which has a little forward bias applied in order to minimize the amount of r.f. drive required. Tr₁₅ and Tr₁₆ amplify the

145MHz signal, present at the Tr₁₄ collector, to a level of 2.5W; again Class C is used in the power stages to maintain a high level of efficiency.

If the transmitter is to be used from a good portable location, it is advisable to use a band-pass filter to reduce any harmonics to an acceptable level.

Fig. 8 shows the microphone compressor and deviation control circuits of the transmitter.

Frequency modulation is applied to the varicap diode via the preset potentiometer R₈₂, which adjusts the level of deviation. The SL622, IC₁₃, is an audio compressor. This ensures that the level of deviation remains constant over the wide range of microphone inputs.

Construction

As the synthesizer is the heart of the transceiver, it was decided to build this unit first, thereby enabling it to drive

the transmitter and receiver at a later date.

The synthesizer logic was built on a piece of Vero-Board measuring 3 3/4 x 4in, and hard wired between i.c. pins using sub-miniature wire. This method of construction was chosen as it allows easy modification and also enables the board to be made smaller than a conventional p.c.b.

The v.c.o. associated with the synthesizer was built on a separate double-sided p.c.b., one side of the board being used for a ground plane the other side being used for interconnections. Using the varicap shown, the v.c.o. operates from 18 to 36MHz for a control voltage of 0 to 12V respectively. However, other types of varicap diode may be suitable, providing the v.c.o. is capable of operating over the range of 20 to 25MHz.

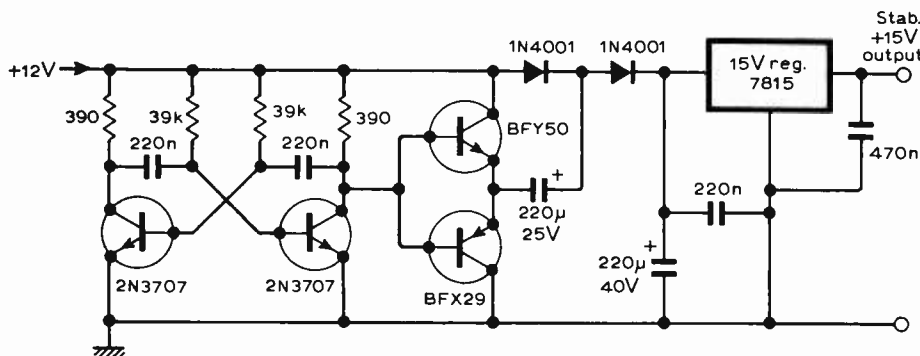
The transistors used in the v.c.o. are general purpose, types 2N3707. Other types such as the BC108 and the BC109, are equally suitable.

The power supply for the synthesizer logic must provide a well-regulated and noise-free 15 volts. This is to ensure that the 4059 is sufficiently fast to cope with the 6MHz clock. A suitable power supply is shown in Fig. 7. This supply is designed to provide 15V at 100mA over a voltage input range from 9 to 18V. Note that the 74LS74 requires a 5V rail, not 15V as with the c.m.o.s. devices. To interface the 5V logic of the 74LS74, a pull up resistor, R₇, is used.

The receiver is built on a double-sided p.c.b. and contains all the circuitry shown in Fig. 5. Again, one side of the p.c.b. is used as ground plain, this is to simplify board design and minimize the possibility of instability occurring.

When building the r.f. and mixer stages it is important to keep lead lengths as short as possible in order to minimize lead inductance, which can be appreciable at v.h.f. frequencies.

Fig. 7. A suitable regulated 15V power supply circuit for the transceiver. It requires an unregulated 12V power supply.



The 10.7MHz stages, consisting of the SL612 and HA1137, must be logically laid out. This means keeping inputs away from outputs. Also, as there is a considerable amount of gain at 10.7MHz, attention should be paid to the screening of the receiver, otherwise there might be i.f. breakthrough.

The i.f. filter probably represents the most expensive item in the receiver and could cost as much as £20. However, at the time of writing there were many ITT and STC surplus crystal filters on the market at very competitive prices. As the filter gives the receiver all its selectivity, care must be taken to ensure that the i.f. signal cannot leak around it, otherwise the receiver may be blocked off by a strong local station on another channel.

The layout of the transmitter multiplier and p.a. stages is not unduly critical, providing all leads which carry r.f. current are kept short, that is, less than 1/2in, (this includes the 1nF disc capacitors associated with the supply decoupling). Clip-on heatsinks should be fitted to the driver and p.a. stages to keep the collector temperature below 70°C.

The actual method of assembling the four boards into a complete transceiver is left to the discretion of the constructor, but it is a good idea to fit the synthesizer logic into a screened box with leads for power in, 24MHz in, control wires in, and error voltage out only. This is to reduce the possibility of any noise generated by the synthesizer logic interfering with the receiver.

The transmit/receive switching has also been left to the discretion of the constructor, although in the prototype, electronic transmit/receive switching was used, with the exception of the aerial changeover, which was a sub-miniature relay.

Alignment

The first unit to be adjusted is the v.c.o. (see Fig. 4). This is accomplished by connecting the control wire of the varicap diode to earth, then adjusting the slug in L₁ for a frequency of approximately 20MHz. After this operation, connect the control wire to V_{cc} and check that the frequency rises to above 25MHz, then tune L₂ for maximum output at 24MHz.

When the v.c.o. is aligned, connect it to the logic in the synthesizer and set the thumbwheels to channel 00 and the mode switch to normal transmit. If all is well the control voltage should settle to a value between 2 and 8V and the output frequency should be 24.1666MHz. If the frequency is slightly out, then C₂ requires adjustment to set the reference accurately at 1.0146666kHz. Switching the thumbwheels to 01 should cause the frequency to increase by 4.1666kHz at 24MHz, (25kHz at 2 metres).

To check the receiver i.f. and repeater shifts, it is only a matter of switching

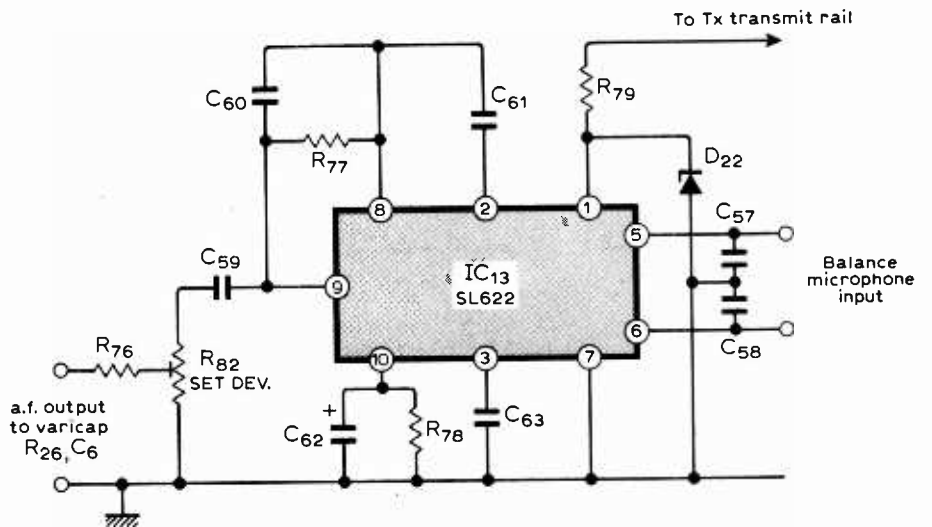


Fig 8. Microphone compressor and deviation control circuit for the transceiver.

from normal transmit on channel 00 to normal receive and checking that the output shifts from 24.1666 to 22.3833MHz, (a 10.7MHz shift down in frequency at 2 metres).

Likewise, to check the transmitter 600MHz repeater shift, switch from normal transmit to repeater transmit and check that the frequency shifts from 24.16666 to 24.06666MHz, that is, a 600kHz shift down in frequency at 2 metres. Again, when testing the inverse-repeater receive, check that the frequency shifts from 22.3833 to 22.2833MHz, that is, another 600kHz shift down in frequency at 2 metres.

If all appears well with the synthesizer, then it can be connected to the transmitter. Set the mode switch to normal transmit on channel 20 and adjust L₉ (Fig. 6) for maximum voltage across R₇₂ (about 1V), ensure that the drive to Tr₁₃ is on 48MHz (not 24MHz), then adjust C₆₈ for maximum voltage across R₇₅ (above 0.1V) and check that the collector of Tr₁₃ is tuned to 145MHz (not 96MHz). It is only necessary to tune C₆₉, C₇₀, C₇₁ and C₇₃ in turn to produce maximum output on 2 metres.

The transmitter r.f. stages are now complete, and it only remains to apply audio to the varicap diode to produce a f.m. transmission on 2 metres. Adjusting R₈₂ (Fig. 8) sets the level of deviation, and should be adjusted by monitoring the transmission on a receiver of suitable bandwidth.

To align the receiver, set the synthesizer to normal receive on channel 20, and then adjust L₇ (Fig. 5) for maximum voltage across R₃₇. Inject a signal on 145.5MHz at the aerial input and adjust C₆₄, C₆₅, and C₆₇ in turn for maximum sensitivity, reducing the level of the signal as the receiver is tuned up.

Finally, to achieve the best noise figure, adjust the coupling between C₂₇ and L₆ for maximum sensitivity. The receiver alignment is now complete and should require less than 1µV for full

quietening, and the mute should lift on signals down to 0.5µV. After connecting an aerial to L₃ and selecting a popular channel, stations should be heard. It may be necessary to trim C₆₄ slightly to match the aerial correctly. It may also be necessary to adjust the value of R₆₅ slightly, to remove any crosstalk distortion present in the output stage.

The transceiver is now complete, ready for use on the air.

Conclusion

Through the extensive use of integrated circuits in the synthesizer, and receive i.f. section, it is hoped that alignment problems associated with multichannel transceivers have been lessened considerably. That is, it is only necessary to adjust the reference crystal to 1.000MHz and the transceiver will be exactly on frequency, no matter which channel or mode is selected.

It is also possible to build the synthesizer separately and to use it to drive commercial rigs, thus avoiding many expensive crystals which could cost about £5 per channel (a 22-channel transceiver would have £110 worth of crystals inside it). By comparison, a synthesizer of the type described could be built for as little as £30 and it would also produce all 40 channels in addition to offering repeater and inverse repeater operation — obviously a great saving.

Correction notes. The 220kΩ resistors R₄ to R₂₅ (see Fig. 3) on the 4560 inputs (pins 15, 1, 3, 5, 14, 2, 4 and 6) are pull-down resistors which should be between the inputs and earth, and not as shown. Connections should also be made direct between the inputs and the thumbwheels and mode lines; 15 to a, 1 to b, etc. The right-hand pin on IC₄ shown as pin 3, should read 'pin 8'. Further details in next issue.

Printed circuit boards

A set of p.c.bs comprising two double sided and one single sided is available for £1.1 inclusive from M. R. Sagin at 23 Keyes Road, London NW2. The boards accommodate components for the receiver, transmitter, synthesizer and v.c.o.

New Products



Synthesized communications receiver

A communications receiver, designated the PR2250, is claimed by the makers, Plessey Avionics & Communications Ltd, to be the first receiver unit – as distinct from system (see p.85, Nov. 76 issue) – to take most of the tedious manual labour out of surveillance and monitoring operations. The receiver, which covers l.f., m.f. and h.f. bands from 10kHz to 30MHz, is a solid-state high-stability synthesized instrument capable of being digitally controlled from either a keypad on the front panel or from an external serial data stream. An optional microprocessor module, claimed to be unique in this type of equipment, may be programmed to allow the receiver to interface with many different control systems. Tuning is by this keypad or a photodiode, and l.e.d. dial scanning-system

(as described in pp.65-6, Sept. 77 issue), enabling fast and accurate searching to be carried out.

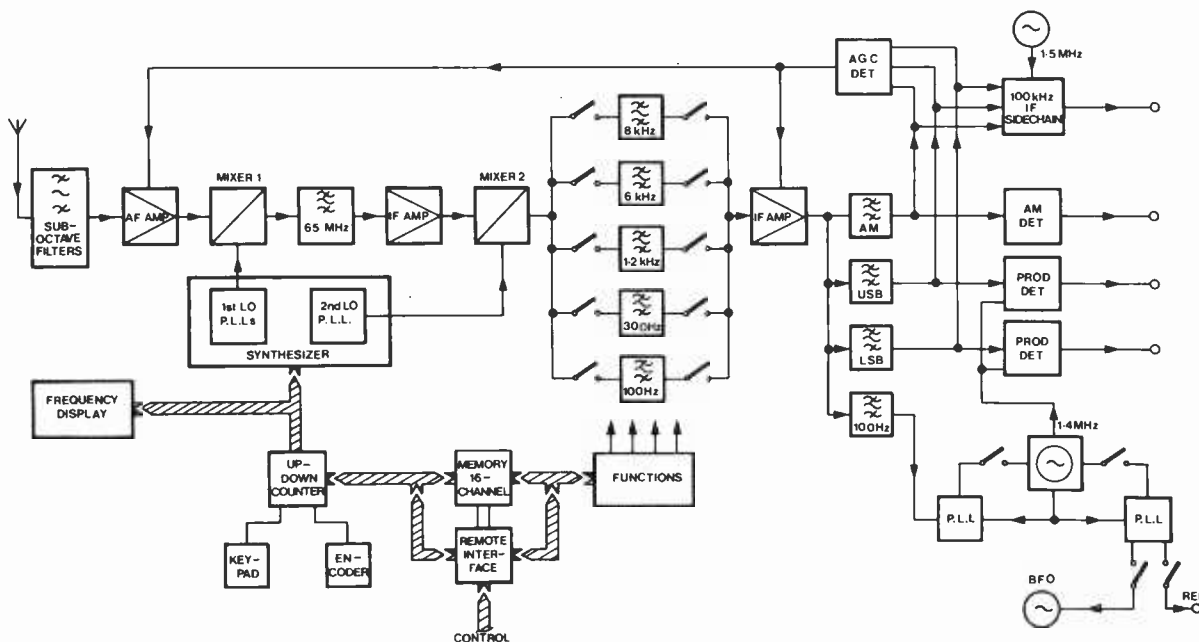
The tuning dial has two tuning rates, one for fine tuning and one for searching, both providing frequency steps of 10Hz. The keypad enables a new frequency to be selected quickly by simply punching in the desired frequency in kHz. A non-flicker l.e.d. display indicates the receive frequency in MHz. Push button controls also provide selection of a.m., f.m., c.w., u.s.b., l.s.b. and i.s.b. modes, bandwidth filters, a.g.c. and a.f.c. All of these selections, and the frequency, can be stored in a built-in 16-channel memory so that they can be recalled almost instantly.

The synthesizer, a patented Plessey design, allows tuning from one end of the frequency range to the other in

10ms (typical). Specifications include a sensitivity on s.s.b. of 15dB signal-to-noise-plus-noise for a $1\mu\text{V}$ (e.m.f.) input and a typical noise figure of 10dB from 100kHz to 30MHz. Intermediate frequency and spurious signal rejection is greater than 80dB down.

Although this product represents a step forward in British-made professional communications equipment, at a price of about £6,500 – which doesn't include the microprocessor – it remains to be seen whether it can survive the competition if the Japanese, who are proving to be very proficient at producing this type of equipment at low cost, succeed in entering the professional communications equipment market. Plessey Avionics & Communications Ltd, Ilford, Essex.

WW 301



Simplified block schematic diagram of the PR2250 receiver under external control.

Digital printer

A microprocessor controller is used in the SP302 five-by-seven impact dot-matrix printer to enable it to perform functions such as double-width printing and double and triple spacing, which, the makers claim, are not available on competitive units. Tab functions are fitted as standard and may be externally controlled by simple software. The standard input baud rate is 110, but other rates can be internally set. The unit prints at a rate of 50 characters per second. It will print multiple copies and is also capable of using ordinary 3 $\frac{1}{8}$ in adding-machine paper. The SP302 measures 244 × 127 × 305mm and has a power requirement of 25W from 115 to 230V at 50 or 60Hz. Syntest, 169 Millham Street, Marlboro, Mass. 01752, U.S.A. **WW 302**

Low-cost DMM

A calculator-sized 3 $\frac{1}{2}$ -digit multimeter, the PDM35 introduced by Sinclair Radionics Ltd, is available in the UK at £29.95 plus 8% v.a.t. The meter measures 155 × 75 × 30mm and weighs only 175g. Its design is claimed to be based on the results of an international survey which tried to determine the features required from a multimeter by the majority of users. As a result, the meter does not have an alternating-current range. The PDM35 has four direct-voltage ranges, from 1mV to 1kV, and six direct-current ranges, from 1nA to 200mA, with a 10m Ω input impedance on the voltage ranges, and a maximum resolution of 0.1nA on the current ranges. Accuracy in each case is 1% \pm 1 digit of the reading. Its alternating-voltage range is suitable for frequencies from 40Hz to 5kHz from 1 to 500V r.m.s. with an accuracy of 1% \pm 2 digits. The meter also has five resistance ranges from 1 Ω to 20M Ω with an accuracy of 1.5% \pm 1 digit, and five junction-test ranges. Sinclair Radionics Ltd, London Road, St. Ives, Huntingdon, Cambs PE17 4HJ. **WW 303**

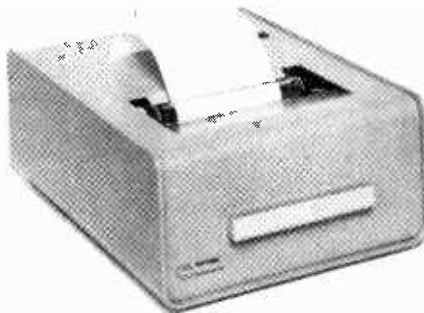
Sound level meter

The db-306 Metrologger is a pocket-sized sound-level meter incorporating a minicomputer which measures and displays A-weighted sound levels over a selected 64dB range. It also indicates the equivalent continuous sound level, the maximum sound level sampled and the time duration of the measuring period. The instrument, which utilizes a microphone, is normally supplied with a $\frac{1}{4}$ in ceramic microphone that can either be mounted on the Metrologger or be positioned up to 100ft away. Sound levels are displayed in 1dB incre-

ments on a digital readout which is updated four times per second. An inexpensive 9V battery having an operating life of about 72h is used to supply the device. Dawe Instruments Ltd, Concord Road, Western Avenue, London W3 0SD. **WW 304**

R.f. analyser

All the elements to form a complete transmission and reflection measuring instrument are contained in the Wiltron 640 r.f. analyser. The unit comprises a swept r.f. generator covering 1 to 1500MHz, logarithmic amplifier with detectors, one of which is for reflection measurements, and a display (built by Tektronix). The display is in the main-frame of the instrument, the other elements of the system being in the form of plug-in units. System noise level is around -60dBm and the r.f. output is calibrated to +10dBm, so that a 70dB dynamic range is obtained. Several marker systems, for level and frequency, are provided; a nice refinement is the 'tilt' facility for frequency marker pips to enhance visibility on the skirts of responses. The output level is held to within 0.2dB over the 1500MHz range, and over the often-used 400-500MHz sections it is constant to within 0.1dB. Wiltron, 825E Middlefield Road, Mountain View, CA 94043, U.S.A. **WW 305**



WW 302



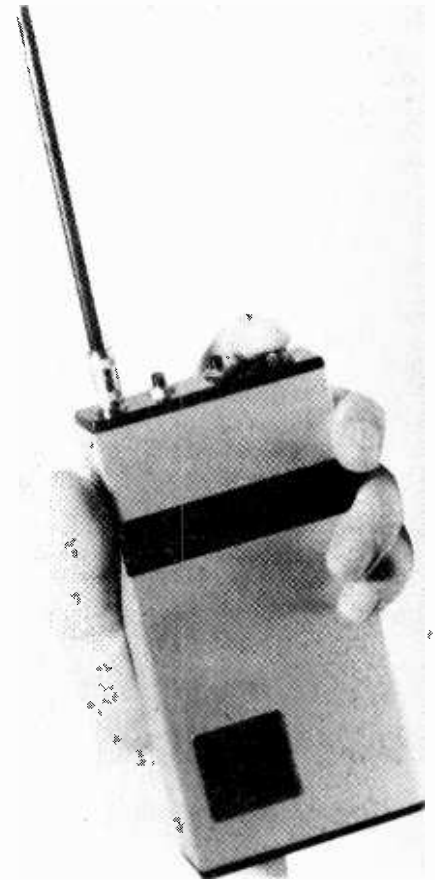
WW 303

R.f. transistor

A r.f. transistor, the BF199 manufactured by AEG-Telefunken, is suitable for video i.f. amplifier stages. It is a silicon n-p-n epitaxial planar transistor having a feedback capacitance of only 0.32pF. Absolute maximum ratings include a V_{CE0} of 25V, V_{CBO} of 40V, V_{EBO} of 4V, I_C of 25mA and I_B of 2mA. Total power dissipation is 300mW and the junction temperature is 150°C. Other characteristics include a typical gain bandwidth product of 500MHz and a typical h_{fe} of 88. The BF199 is packaged in a T092Z case. Norbain Semiconductor Division, Norbain House, Arkwright Road, Reading, Berkshire RG2 0LT. **WW 306**

A-to-d converter

The LD130 three-digit analogue-to-digital converter i.c., from Siliconix, has been reduced in price by 45% from £6.36 to £3.45 (for quantities of 100 or more). This follows the company's improvements in high-volume manufacturing techniques. Sampling rates for this device vary from 1 to 60 per second and accuracy is quoted as 0.1% \pm 1 digit, with a 1mV resolution. Siliconix Ltd, 30A High Street, Thatcham, Newbury, Berks RG13 4JG. **WW 307**



WW 304

Microcomputer development system

A microcomputer system known as the muPro-80 comprises a complete 8080A microcomputer, a control and display panel, an in-circuit emulator, a dual floppy-disc system and a software package. The software package includes a multi-purpose real-time executive and a high-level relocatable output assembler, having a number of sub-routines with Algol-type statements such as 'if', 'then begin', 'end' and 'else begin'. This package also includes a disc operating system and a text editor. User programmes can be operated in a time-share mode. The control and display panel enables memory or register contents to be examined or changed, break points to be set and the last 64 instructions to be executed and traced. All of the functions are provided for without the use of any of the system memory locations, such that all the 64K memory locations, 255 i/o ports and interrupt lines are available to the user. Microsystem Services, Duke Street, High Wycombe, Bucks.

WW S98

TV aerial isolators

Three aerial-isolation assemblies, types L1910, L1911 and L2114, have been designed for use in the 75Ω coaxial inputs of television receivers. The assemblies accept both 9.5 and 9mm diameter plugs and are suitable for v.h.f. and u.h.f. receivers. Type L1910 has a single input and single output, type L1911 has a single input into a diplexer board giving two outputs, one v.h.f. and one u.h.f., and type L2114 has a single input and output but includes a built-in high-pass filter. Radio interference immunity in the frequency band from 470 to 775MHz is greater than 25dB, and from 775 to 860MHz is greater than 20dB. Signal attenuation figures at 10MHz range from 0.5dB for the L1910 to 25dB for the L2114. The assemblies are accepted by many national safety authorities in Europe, Scandinavia and South Africa. Belling & Lee Ltd, Great Cambridge Road, Enfield Middlesex.

WW 309

D.m.o.s. f.e.t.s

A range of d.m.o.s. f.e.t.s, available from Mullard, is comprised of silicon-insulation gate f.e.t.s of n-channel enhancement mode. The devices are manufactured by a double-diffused process which gives them frequency performances up to 2GHz. Characteristics claimed include high gains, low noise levels, good linearities, low intermodulation distortion, and low feedback capacitances. Types available include TO-72 devices for general purpose r.f. amplifiers up to u.h.f. (types SD200 to

SD203), high speed f.e.t.s having low 'on' resistances (SD210 to SD215), and dual-gate f.e.t.s for v.h.f. and u.h.f. mixer and amplifier applications (types SD300, SD303 to SD308). Also available is the eight-pin d.i.l. type SD6000 which consists of two dual-gate devices in a single encapsulation. It is intended for use in varactor and conventional tuners for v.h.f. f.m. circuits. One device is characterised as a mixer, and the other as a r.f. amplifier. Mullard Ltd, Mullard House, Torrington Place, London WC1E 7HD.

WW 310

High-current r.f. inductors

Two encapsulated r.f. inductors, introduced by Plessey Windings, are designed to carry higher-than-normal direct currents without degrading the inductance value. Type 11207, which has an inductance range from 50μH to 10mH and a typical Q-factor greater than 100, measures only 7mm in height and 19mm in diameter. Its superimposed d.c. value (the direct current which will cause the inductance to reduce to 95% of the zero d.c. value) is from 85mA to 1.2A, depending upon the inductance value. Type 11206, measuring only 6½mm in height and 14.5mm in diameter, has an inductance range from 1mH to 100mH, Q-factors from 75 to 200, and its superimposed d.c. ranges from 7 to 60mA. Plessey Windings, The Plessey Company Ltd, Ilford, Essex.

WW 311

Locking dials

Two precision locking dials, types LK25 and LK50, have been made by Argo Electronic Components Limited. The LK25 is a miniature dial (measuring 22 × 25mm) having a photoanodized face with graduations of 0-10 over an arc of 270 degrees and 0-100 over an arc of 300 degrees. The LK50, which incorporates a dial measuring approximately 2in

square, has standard graduations of 0-10 over 270 degrees and 0-100 over 300 degrees. However, for both dials, graduations can be supplied to customer specification, and may be used over 360 degrees. Argo Electronic Components Limited, Stiron House, Electric Avenue, Westcliff-on-Sea, Essex, SS0.

WW 312

Crystal oscillators

A high-power v.h.f. crystal oscillator, the model CO-284W, provides a stable fixed-frequency output of 1W (+30dBm into 50Ω) at any frequency from 5 to 300MHz, and 0.5W (+27dBm into 50Ω) in the range 300 to 500MHz. The standard stability is ±0.0025% from 0 to 70°C, with optional stabilities of ±0.0003% from 0 to 50°C, or -55 to 125°C. Although the oscillator is factory set to within 10p.p.m. of the specified frequency, adjustment to within 1p.p.m. is available as an option. For phase-locking applications, electronic tuning (v.c.x.o.) is also optional. Other models in this v.h.f. family are available with lower-level sinewave (5 to 500MHz) or e.c.l.-compatible (5 to 200MHz) outputs. Lyons Instruments Limited, Hoddesdon, Herts.

WW 313



WW 309



WW 308

Push-fit terminals

Push-fit terminals in the Terminette range include both stand-off and lead-through types which are supplied in matched sets of pins and p.t.f.e. insulators. The insulators are supplied in a variety of colours and are chamfered on the lower edge to enable an easy push-fit into a prepared hole. Subsequent insertion of a pin will rigidly lock an insulator into a chassis. Terminals are available for chassis hole sizes from 0.062 to 0.156in and in metric sizes. All types meet the requirements of DEF5334B and some of these have NATO references and can be released to MOD05-29. H & T Components Limited, Crowdy's Hill Estate, Kembery Street, Swindon, Wiltshire.
WW 314

DMM kit

The Model 2000 easy-to-build kit assembles into a bench/portable 3½-digit multimeter having an accuracy, when correctly calibrated, of $0.1\% \pm 1$ digit, and an input impedance of $10M\Omega$. It has five functions, giving 28 ranges, and is provided with 100% overrange and overload protection. The alternating and direct-current and resistance functions each have six ranges, enabling resistance measurements from 1Ω to $20M\Omega$ and current measurements from 100nA to 2A to be made. The direct- and alternating-voltage functions each have 5 ranges providing voltage measurements from $100\mu V$ to 1kV. Overrange load indication, polarity and zeroing are all automatic. Price is less than £70 including tax. Sabtronics (UK) Ltd, 50 Galton Road, Westcliff-on-Sea, Essex.
WW 315

Silicon rectifiers

Silicon-controlled rectifiers in the MCR100 series, from Motorola, are sensitive to gate-trigger currents up to a maximum of $200\mu A$. These devices, which will pass a forward r.m.s. current of up to 800mA, are supplied in peak reverse- and forward-blocking-voltage ratings from 100 to 600V in 100V steps. The reverse- and forward-blocking currents are no more than $100\mu A$ at $125^\circ C$ and the maximum holding current is only 5mA. Motorola Ltd, Semiconductor Products Division, York House, Empire Way, Wembley, Middx HA9 0PR.
WW 316

Miniature trimming resistor

A high-resolution ten-turn trimming resistor, from Lemo (UK) Ltd, measures

9.7mm (max. height) by 4mm diameter. It is available in maximum values from 100μ to $100k\mu$, with the lowest adjustable values being about 25% of the quoted values. Power ratings are 370mW at $40^\circ C$, tolerances are $\pm 30\%$, and the temperature coefficient of resistance values vary from 1×10^{-3} per degree Kelvin, for up to $1k\Omega$, to 2.5×10^{-3} per degree Kelvin for up to $100k\Omega$. Lemo (U.K.) Ltd, 6 South Street, Worthing, W. Sussex BN11 3AE.
WW 317

Temperature-operated switch

A temperature-operated switch, from Lee Green Precision Industries Ltd, operates in temperature ranges between 50 and $80^\circ C$. The Thermotrigger, as it is called, is made from vanadium pentoxide, the resistance of which changes abruptly from a high value at a low temperature to a low value at a high temperature. Temperature coefficient of resistance changes are -5% in the pre-transition region, -8% in the transition region, and -20% in the post-transition region. Lee Green Precision Industries Ltd, Grotes Place, Blackheath, London SE3 0RA.
WW 318

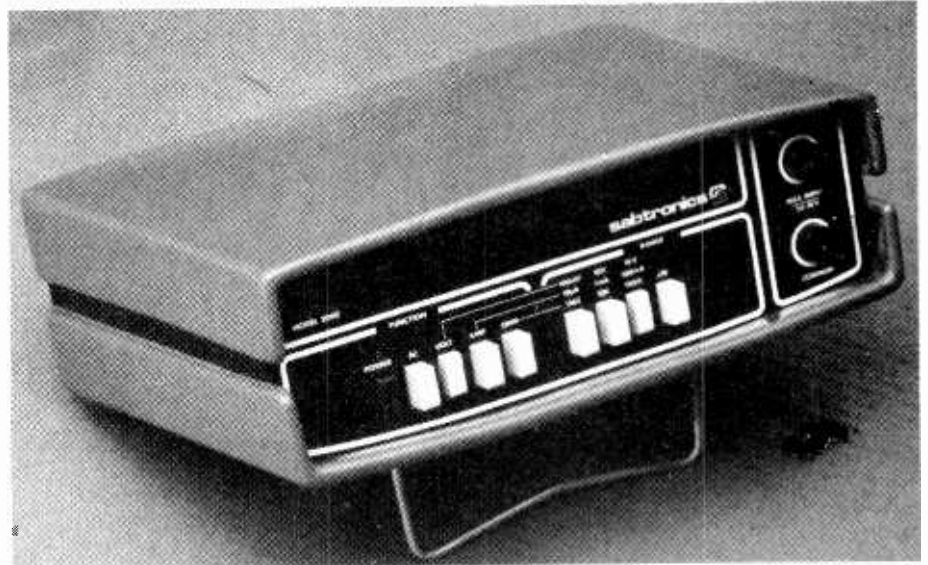
Tweezer pliers

Stirex k-40 tweezer-pliers are moulded in glass-filled propylene and have adjustable locks and self-opening handles. The locking device can be moved up or down the handles so that the jaws can grip and hold objects up to 7mm in diameter. They may also be used without the locks. The pliers, which have finely serrated jaws with tip widths of 4mm, are 165mm long overall. They are non-hygroscopic, non-magnetic, resistant to most acids, and they weigh only 14g. Tele-Production Tools Limited, Stiron House, Electric Avenue, Westcliff-on-Sea, Essex SS0 9NW.
WW 319

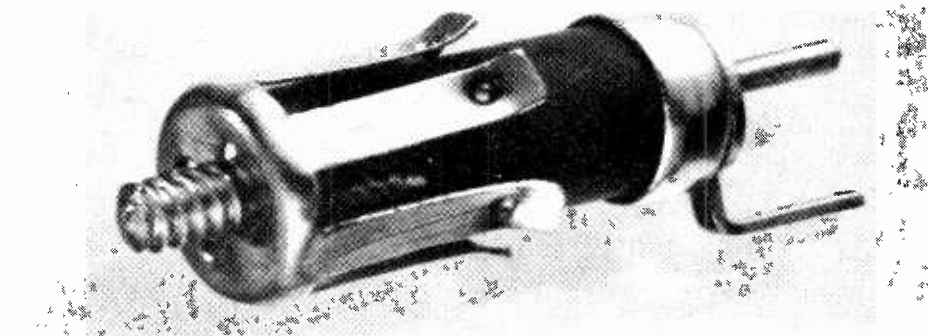
High-current relays

Relays in the Ideco range have up to four change-over contacts and are available in ratings up to 10A. Most of the relays are plug-in types having five, eight or eleven-pin bases.

Contact materials include gold-plated pure silver, silver-cadmium oxide or silver-palladium. The springs are phosphor bronze, with mechanical lives of about 50 million operations, and coil voltages range from 6 to 110V direct or 6 to 240V alternating. A. B. Relays Ltd, Orgreave Crescent, Sheffield S13 9NQ.
WW 320



WW 315



WW 317

Sidebands

by mixer

M.I.s.—Mine's lots safer

As Arnold Postlethwaite once said, "It's not t'fall as 'urts thee, lad — it's t'sudden stop at t'bottom." Arnold was speaking with difficulty at the time, having just fallen downstairs, hitting every tread on the way down and was, one felt, hardly in a position to come on with the homespun philosophy.

But a little philosophy, homespun or not, would seem to be appropriate to those deliberating on the microwave landing systems of the future — electronic assistance in avoiding "t'sudden stop at t'bottom." Amid clamorous protestations of thinking only of the good of passengers, all the parties interested in the final choice of British, American or German systems are intent on making sure that they finish up on the gravy train, morally as well as financially (I use the word 'morally' in the sense of 'moral victory' and in no other manner). Whichever system is adopted by ICAO, the manufacturers who 'lose' stand to make very nearly the same profit as they would if their own system were chosen, since those who propose the Doppler method can make scanning equipment equally well, and vice versa.

So, it appears that the choice of a system is being held up for nebulous reasons of national pride, rather than for commercial and technical considerations — Doppler and scanning-beam both seem to work well in most situations. Computers don't seem to be able to come up with a clear-cut choice, particularly when told that airports have suddenly sprouted imaginary buildings, and it seems that aircraft have got to go and actually land at various 'troublesome' airports and find out the hard way. Let's hope they get on with it and reach a decision soon; one based on the facts and not political manoeuvrings, as has happened so often before. Let us also hope that, when automatic landing is eventually a common procedure, the reliability of the equipment is not open to question. The alternatives of landing on the runway or twenty feet under it must not hang on the life expectancy of a 100k Ω resistor or the cleanliness of a plug and socket.

Table talk

While desultorily casting around for something revolutionary to invent during the afternoon, my colleague froze, the peas from his knife rolling in a steady stream across the table, unheeded. "Why not?" he said, as our ravioli and chips grew cold, "Why not design a computer graphics thing for the telly?" We stared at him, as he caught the peas with his fork, temporarily at a loss for words, and then we all started talking at once. "But," . . . "Whatdya mean . . .?" . . . "You can't . . ." . . . and similar meaningful human communication.

As the last chip disappeared and chocolate sponge spoons were wearily taken up, we had decided that to do the job properly you would need a main-frame computer about the size of our office, and our management people are a bit funny about that sort of thing. But the idea was a good one. For example, you could rearrange all the furniture and view it from different angles, in perspective. That cabinet for all the hi-fi equipment can be seen from all viewpoints and you may then see that it would completely block Grandpa's view of the tv when the turntable lid was up. Exhibition designers would find it helpful and architects could completely remodel Bruddersfax town hall or the Humber bridge without spending a penny on concrete until it looked about right.

Not that it's a new idea, of course but, using a microcomputer and a domestic tv as display unit, it could be a lot more useful than playing ludo. Personally, I never believed all that about NAAFI tea, but I'm beginning to wonder about our canteen's ravioli.

Watt voltage?

Many years ago in the dear, dead days of my youth and long before I learned not to argue with 'experts', I had to show one of these experts who was also an M.P. one of the new signal generators made by the company for which I worked. Its attenuator was calibrated in decibels relative to 1 μ V across 50 Ω and, because he felt that he had to say something intelligent, the chap said "Ah, but are they voltage or power decibels?" Well, that took me aback a little, but I came back, quick as a flash, and said that it didn't matter because the calibration was the same for voltage or power. The ensuing argument, which was thickly be-spattered with expressions to do with going back to school and with the possession of infinite Z between the ears did not reach an amicable conclusion, but I was saved from the Star Chamber by the fact that someone's power supply exploded and diverted his attention.

The fact is, of course, that so long as the impedances do not change, decibels can be either voltage or power. The

ratio of the gain of an amplifier at 1kHz to its gain at 20kHz may be 3dB and, if you work it out, you can see that this can mean either voltage or power assuming that the output impedance is still the same. It does mean that the power output is halved and the voltage output is $1/\sqrt{2}$ that at 1kHz, but this is —3dB in each case.

Perhaps I can now stop the argument that started twenty years ago and refer people to this piece in the future.

Would you care to re-phrase that?

Far too headstrong, that's the basic problem with colonials, particularly with those in America. Give them their head and heaven only knows what they'll get up to. I dare say that, after a little time to reflect on the working of this Declaration of Independence thing, they're already beginning to regret the whole nasty business. We've been good to them — some would say we've been too generous by half. They've come over here and we've been so glad to see them back that we've let them make their motor-cars here and pretended to marvel at their talking pictures and no one's ever said an unkind word. Well, not many, anyhow.

They're good chaps, taken as a whole, although perhaps a little slow on the uptake when they're wanted, but they have had this attitude of late that has denoted a certain, well, greediness. They have turned up here and *bought* things. Things like England, for instance. And it's got to stop — they'll be wanting to take Yorkshire back to San Francisco next and reassemble it stone by stone.

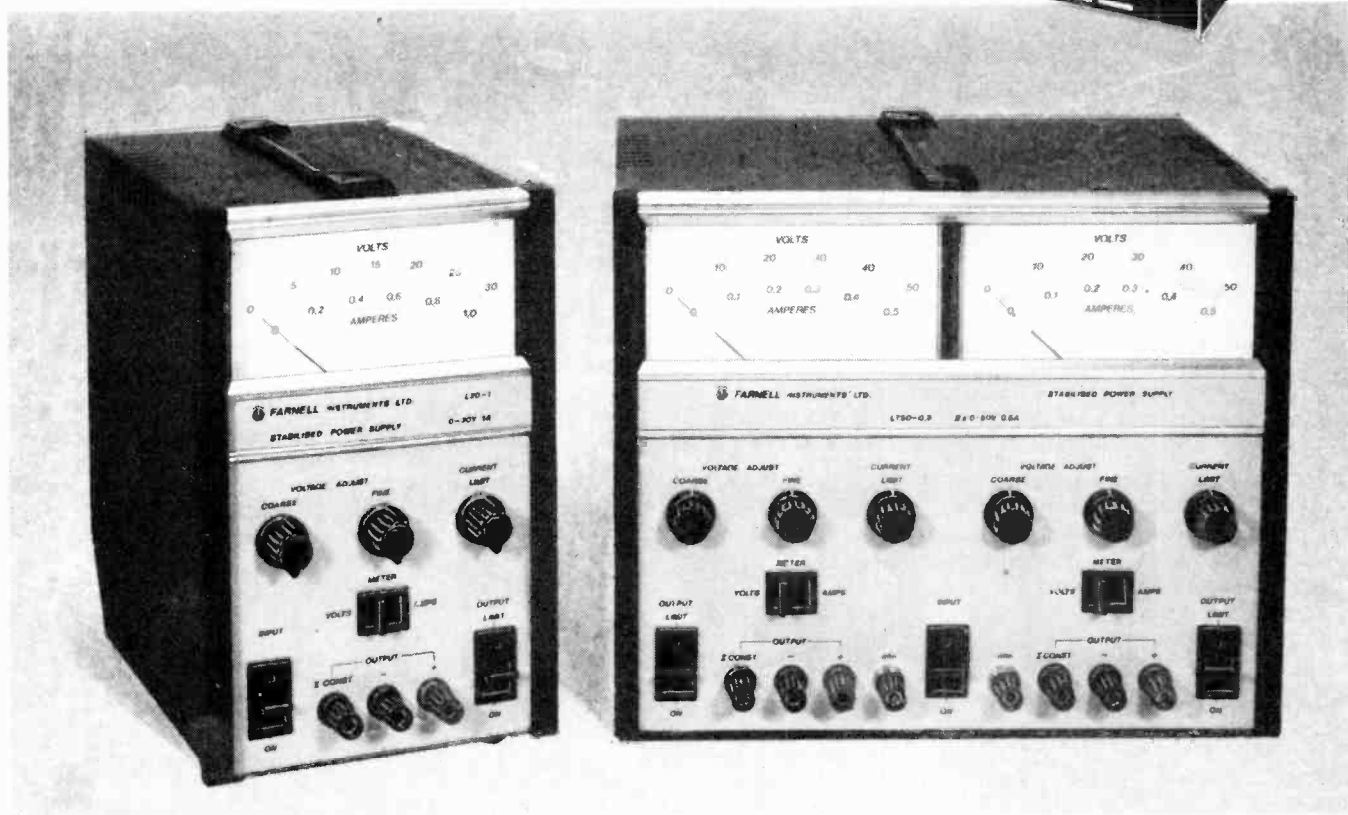
As a warning not to be so selfish, then, several British companies have already decided that the best and wisest way to deal with these youthful high spirits is to do the same sort of thing back to them. Racal, for example, has taken over not only Milgo, but Dana Electronics as well. I expect they'll give them back in a little while, but it's the example that's important. EMI has had companies over there for some time now and lots of our firms have colonial outposts. Goodness knows how they manage it, what with Indians and the weather, but they all come from good, pioneering stock.

It's all very well to be independent — all young people need to break away once in a while — but freedom has to be used properly. Let us hope that they have learnt their lesson now. After all, we've done our best to keep them out of trouble. Geordie George from up in Washington all the way down to young Robert (Hope, that is) have actually *gone* there and kept an eye on them and *still* they keep saying they are independent now. They even managed to convince poor old George. Well, they can't say they weren't warned.

Our main competitor!

40,000 L series power supplies sold . . .

If we hadn't built them so well we could be selling more now! The stiffest competition we find against making a sale is a lab. full of the old black-faced original L30's—still performing reliably after more than 10 years service.



Acknowledged the U.K.'s most popular range of bench power packs the latest version of the L series is still uncompromising in performance and reliability and provides constant voltage OR constant current, features large recessed meters overload and short-circuit protection, coarse and fine adjustment controls, a separate output switch and LED indicators for mains on and current limit.

For full specification and prices contact:

Models available

L50-05	0-50V, 0.5A	L12-10C*	0-12V, 10A
L30-1	0-30V, 1A	LT50-05	twin output unit 2 x 0-50V, 0.5A
L10-3C*	0-10V, 3A	LT30-1	twin output unit 2 x 0-30V, 1A
L30-2	0-30V, 2A	LT30-2	twin output unit 2 x 0-30V, 2A
L30-5	0-30V, 5A		

*with adjustable overvoltage protection



Farnell

FARNELL INSTRUMENTS LIMITED
 SANDBECK WAY · WETHERBY
 WEST YORKSHIRE LS22 4DH
 Telephone 0937-63541 · TELEX 557294

LONDON OFFICE
 TELEPHONE 01-864 7433 & 7434

WW-048 FOR FURTHER DETAILS

WE KNOW OF ONLY ONE OTHER POWER AMPLIFIER MODULE SUPERIOR TO OUR

JPS 100 — The JPS 150

For starters, JPS Power Amplifier Modules are designed, manufactured and tested in England, yet sold throughout the world

Incorporating comprehensive protection circuits including mismatch, short and open circuits, impedance and thermal protection, these Modules will ensure a high standard of both reliability and top performance

Unlike other models, they offer an indefinite life-span! Should they ever require any attention or repair, all components on both Modules are easily replaceable. And, what's more, they both also carry a full two-year guarantee. That's confidence for you!

Power Output
Frequency Response
Power Bandwidth
Slew Rate
Total Harmonic Distortion

***Input Impedance**
Power Requirements
Transistor Complement
Module Dimensions
Guarantee

JPS 100 £28.50
110 watts RMS ohms
10-22kHz — 0dB
10-22kHz + 0dB
8.4 Volts per microsecond
0.04% @ 1kHz
115dB below 100 watts
Greater than 300 to 1kHz
0dB (0.775 Volts) 100 watts
47k
— 45 Volts
12 transistors, 1 integrated circuit.

JPS 150 £33.30
170 watts RMS 8 ohms
10-30kHz + 0dB — 0dB
10-22kHz + 0dB — 0dB
9.00 Volts per microsecond
0.04 @ 1kHz
115dB below 150 watts
Greater than 400 to 1kHz
0dB (0.775 volts) 150 watts
47k
— 55 Volts
12 transistors, 1 integrated circuit
6"H x 5"W x 2"D
Full 2 year



* These parameters may be changed to suit particular requirements.
For industrial usage frequency response can be extended DC to 30kHz + 0dB — 0.2dB (150 only)

PS3 powers 2 JPS 150 £31.50

JPS Associates

BELMONT HOUSE STEELE ROAD PARK ROYAL LONDON NW10 7AR
TELEPHONE 01-961 1274 TELEX: TITTS 916226

POWER SUPPLIES
PS1 Powers 1 JPS 60 price £15.50
PS2 Powers 1 JPS 100
Powers JPS 100
Powers 1 JPS 150 Price £21.50

All prices are subject to 8% VAT

All module drive cards are based on industry standard Eurocard system (100 x 15 mm)
A 60-watt version is also available with a similar specification. Price £23.30 + VAT

WW—096 FOR FURTHER DETAILS

the indispensable BIRD 43



THRULINE® WATTMETER

0.45-2300 MHz / 0.1-10,000 watts

The Standard of the Industry
What more need we say...

Exclusive UK representative

aspen electronics limited

2 KILDAKE CLOSE, EASTCOTE, MIDDX. HA4 9UW
TELEPHONE: 01-868 1188 — TELEX 8812727

WW—069 FOR FURTHER DETAILS



Wilmslow Audio

THE Firm for Speakers!

SEND 10p STAMP FOR THE WORLD'S BEST
CATALOGUE
OF SPEAKERS, DRIVE UNITS, KITS, CROSSOVERS,
ETC.
AND DISCOUNT PRICE LIST

- ATC ● AUDAX ● BAKER ● BOWERS & WILKINS
- CASTLE ● CELESTION ● CHARTWELL ●
- COLES ● DALESFORD ● DECCA ● EMI ●
- EAGLE ● ELAC ● FANE ● GAUSS ●
- GOODMANS ● HELME ● I.M.F. ●
- ISOPHON ● JR ● JORDAN WATTS ● KEF ●
- LEAK ● LOWTHER ● McKENZIE ●
- MONITOR AUDIO ● PEERLESS ● RADFORD ●
- RAM ● RICHARD ALLAN ● SEAS ●
- TANNOY ● VIDEOTONE ● WHARFEDALE

WILMSLOW AUDIO (Dept. WW)

SWAN WORKS, BANK SQUARE, WILMSLOW, CHESHIRE SK9 1HF

Discount Hi-Fi, etc. at 5 Swan Street and 10 Swan Street

Tel. Wilmslow 29599 for Speakers Wilmslow 26213 for Hi-Fi

WW—032 FOR FURTHER DETAILS

All prices include V.A.T. Carriage & packing add 25p (U.K.)
Add extra for overseas. Cash with order only. Discounts over
£5 less 5% over £10 less 10% over £25 less 15% over £50
less 20%.

ASTRA-PAK

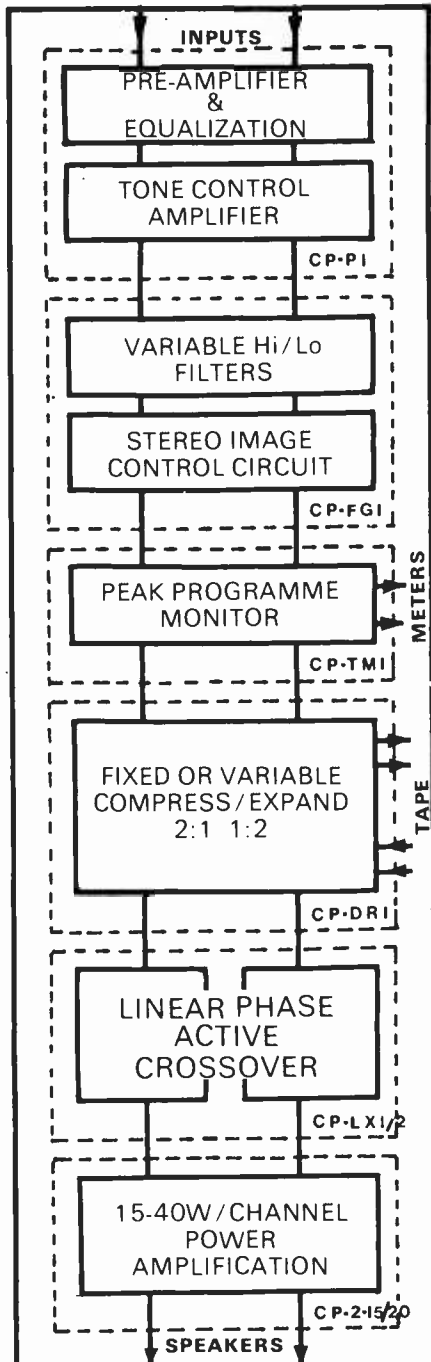
92 GODSTONE ROAD
WHYTELEAF SURREY CR3 0EB

* NEW * FULLY GUARANTEED COMPONENTS *
FULL SPEC SEMICONDUCTORS * QUANTITY
DISCOUNTS * SEND S.A.E. FOR COMPLETE LIST *

<p>BEAD TANTALUM</p> <p>1 22 33 47 68 1uF 35V all values. 11p 2 2 3 3 4 7 6 8uF 35V all values 12p 10uF 25V 22uF 16V both values 13p 33uF 10V 14p 47uF 6 3V 68 & 100uF 3V all values. 15p 20p 100uF 10V 48p</p> <p>CARBON FILM RESISTORS 4 watt 1% — 100MΩ — E12 Series 1p each 9p for 10 of any one value 75p for 100 of any one value</p> <p>I.C. SOCKETS</p> <p>8 pin 11p 14 pin 12p 16 pin 13p 24 pin 48p 28 pin 80p</p> <p>400mW ZENER DIODES</p> <p>2 7V 3V 9p each Any 80p for 10 Max £3.50 for 50 £6.25 for 100</p>	<p>ELECTROLYTICS</p> <p>1uF 16V 25v 40v 63v</p> <p>1 4 1/2p 5p 5 1/2p 6p 2 2 4 1/2p 5p 5 1/2p 6p 3 3 4 1/2p 5p 5 1/2p 6p 4 7 4 1/2p 5p 5 1/2p 6p 5 8 5p 5 1/2p 6p 7p 6 20 7p 6p 7p 9p 7 22 6p 7p 9p 13p 8 33 7p 8 1/2p 10p 15p 9 47 8p 10p 12p 19p 10 100 10p 13p 18p 26p 11 150 11p 15p 20p 28p 12 220 14p 18p 26p 36p 13 470 16p 20p 25p 40p 14 680 18p 24p 35p 48p 15 1000 20p 29p 41p 16 2200 24p 38p 60p 17 4700 39p 52p 85p</p> <p>POLYESTER 100v. Radial lead</p> <p>0.01 0.02 0.03 0.04 0.05 0.1 0.15 0.2 0.25 0.3 0.4 0.5 0.6 0.8 1.0 1.2 1.5 1.8 2.2 2.7 3.3 3.9 4.7 5.6 6.8 8.2 10 12 15 18 22 27 33 39 47 56 68 82 100 120 150 180 220 270 330 390 470 560 680 820 1000 1200 1500 1800 2200 2700 3300 3900 4700 5600 6800 8200 10000</p>	<p>7400 Series</p> <p>7410 14p 7411 14p 7401 14p 7402 14p 7403 14p 7404 14p 7405 14p 7406 32p 7407 32p 7408 16p 7409 16p 7410 15p 7411 20p 7412 21p 7413 28p 7414 60p 7416 30p 7417 30p 7420 15p 7421 35p 7422 20p 7423 20p 7424 30p 7425 30p 7426 25p 7427 25p 7481 35p</p> <p>7430 15p 7432 25p 7433 34p 7437 25p 7438 25p 7440 15p 7441 64p 7442 60p 7444 11.10 7445 78p 7446 83p 7447A 74p 7448 68p 7450 15p 7451 15p 7453 15p 7454 15p 7460 15p 7470 30p 7472 25p 7473 30p 7474 30p 7475 30p 7476 30p 7480 50p 7481 98p</p> <p>7483 83p 7484 £1 7485 98p 7486 £1.17 7489 30p £2.45 7490 35p 7491 70p 7492 44p 7493 40p 7494 74p 7495 80p 7496 69p 74100 94p 74107 30p 74109 50p 74121 25p 74122 80p 74125 50p 74126 50p 74132 75p 74135 68p 74141 72p 74145 72p 74147 £1.40 74148 £1.58 74150 £1.58</p> <p>74151 64p 74153 64p 74154 £1.17 74155 68p 74156 68p 74157 68p 74159 £2 74160 88p 74161 88p 74162 88p 74163 88p 74164 £1 74165 £1 74166 £1.23 74170 £1.95 74173 £1.45 74174 99p 74175 74p 74176 99p 74177 99p 74179 £1.38 74180 99p 74181 £1.95 74184 £1.45 74185A £1.45 74190 £1.38</p> <p>4025 19p 4072 23p 4075 25p 4081 19p 4093 80p 4501 20p 4502 99p 4507 60p 4508 £2.84 4511 £1.50 4518 £1.13 4520 £1.26 4527 £1.60 4528 £1.05 4536 £3.85 4555 85p 4556 85p 4583 80p</p> <p>4077 23p 4075 25p 4081 19p 4093 80p 4501 20p 4502 99p 4507 60p 4508 £2.84 4511 £1.50 4518 £1.13 4520 £1.26 4527 £1.60 4528 £1.05 4536 £3.85 4555 85p 4556 85p 4583 80p</p> <p>7805 10220 £1.30 7812 10220 £1.30 7815 10220 £1.30 7905 10220 £1.95 7912 10220 £1.95 7915 10220 £1.95</p> <p>LINEAR</p> <p>TA4550B 35p TA4661B £1.40 TBA1205 68p TBA614 £1.88 TBA800 90p TBA810S £1.16 TCA27050 £2.21 TDA2020 £3.56 380 14 £1 555 8 35p 556 14 80p 710 14 32p 711 14 32p 1310 14 £1.78 2501B £2.20 3045 14 45p</p> <p>OP AMPS</p> <p>301A 8 35p 709 14 46p 741 8 22p 741 14 20p 741 T099 48p 747 14 70p 3900 50p</p> <p>VOLTAGE REGS</p> <p>310 £1.25 309K 103 £1.30 7414 46p</p> <p>All Prices include V.A.T.</p>
---	--	--

MAGNUM AUDIO MODULES

**ENCAPSULATED AUDIO MODULES WITH UNIQUE FEATURES FOR BUILDING QUALITY HI-FI SYSTEMS.
BACKED BY FIRST CLASS APPLICATION DATA, INFORMATION SERVICE AND FULL RANGE OF ANCILLARY COMPONENTS—TWO YEAR GUARANTEE.**



CP-P1

A fully encapsulated stereo pre-amplifier/ tone control module incorporating four separate amplifiers and a stabiliser circuit which may also be used to power the CP-FG1. Equalisation networks associated with the low noise input stages may be switched in for disc replay and provision is made for optimum cartridge loading. The magnetic input noise level is > 70db down on 3mV and distortion is < 0.02%. The 33db overload margin is extended to > 40db when used in conjunction with the CP-FG1. It only takes connection to a few pots and switches and to a ± 18V supply to make a complete 'state of art' pre-amplifier.

CP-FG1

This fully encapsulated audio function module incorporates some unique features. Two stereo filters ('rumble' and 'hiss') are provided, each with its own slope control and choice of three cut-off frequencies. A stereo separation control allows variation of the apparent image width to suit listening conditions. This can provide a degree of realism not possible from conventional systems. Signal to noise and distortion performance is in line with that of the CP-P1.

CP-TM1

A peak programme monitor circuit which, when used with a suitable meter movement, is capable of capturing the peak-transient information in an audio signal and storing it long enough for it to be displayed by the meter movement and noted by the user. When used in any of the the Magnum Systems, it can ensure that the available signal to noise and distortion performance is realised

CP-DR1

This dynamic range controller has two main applications. Firstly it may be used to compensate for any compression or peak limiting which may have been applied to radio broadcasts or commercial gramophone recordings and thus restore lost realism. Secondly, it may be used to make 'noise free' tape recordings as an additional 30-40db of dynamic range can be encoded and recorded onto most cassette recorders and then decoded and recovered on replay. The unit may also be used as a compressor for listening in high noise environments (the motor car?) or for the preparation of 'constant volume' background music.

CP-LX1 and LX2

Linear phase active crossover networks which may be used to replace any passive crossover network in an existing speaker or in your next 'creation' why not try an LX1 in the 'High Quality Bookshelf Speaker' (WW Oct. 77 p. 42)? In addition to the advantages of improved loudspeaker damping, transient response and intermodulation performance, these crossovers are easily adjusted to your chosen frequency(ies) by selecting two resistors per crossover point. Should you wish, we will preset them for you.

CP2-15/20

Encapsulated into a generous heatsink are two 15/20 Watt r.m.s. amplifiers. By virtue of their configuration, a single module can give 20 Watts per channel using 4 Ohm speakers or 15 Watts per channel with 8 Ohm speakers. Alternatively, both the amplifiers in a module may be used to drive a single speaker, effectively doubling the power to 30 Watts r.m.s. with 15 Ohm speakers or 40 Watts into 8 Ohms.

These amplifiers operate in 'Class A' up to 3-4 Watts before entering 'Class B' and hence give excellent crossover performance. Protection is provided against overload and short circuit operation and inadvertent reversed supply connection and each amplifier has its own thermal overload switch. Transient performance is virtually unaffected by loading and free from overshoot and 'T.I.M.' distortion. All this adds up to a versatile and robust unit capable of giving an extremely 'clean' and 'musical' performance.

Send SAE for details of all MAGNUM AUDIO MODULES

CP-P1. Stereo Pre-Amplifier	£14.96
CP-FG1. Audio Function Module	£13.22
CP-TM1. Peak Programme Monitor	£8.60
CP-DR1. Dynamic Range Controller/Tape Noise Eliminator	£41.40
CP-LX1. Single Point Linear Phase Active Crossover Network	£9.73
CP-LX1-P. CP-LX1 set to your choice of frequency	£10.86
CP-LX2. Two Point Linear Phase Active Crossover Network	£14.60
CP-LX2-P. CP-LX2 set to your choice of frequencies	£16.29

CP2-15/20. Stereo Amplifier Module	£14.46
CP-AR1. Voltage Stabiliser Module	£7.57
CP-PS 18/2D. Power Supply Module	£7.31
CP-MC1. Printed Circuit Board for CP-P1 and CP-TM1 (optional) and controls	£6.86
CP-MC2. Printed Circuit Board for CP-FG1 and CP-AR1 (optional) and controls	£6.75

Also available: pots, switches, knobs, sockets, etc.
All prices fully inclusive
Barlaycard and Access facilities available.

MAGNUM AUDIO LTD.

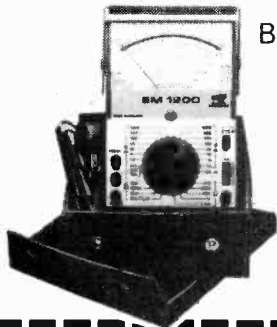
**DEPT. W12, 13 HAZELBURY CRESCENT
LUTON, BEDS. LU1 1DF. Tel. 0582-28887**



Test Equipment

Here's a brand new multimeter from Eagle: 100,000 opv, 3-colour scale anti-parallax mirror, taut band movement, electronic protection, reversible polarity, 15 amps AC range. Complete with real leather carrying case, shoulder strap and probes.

And all that for a retail list price of under £47.00!



But that's not all - we've got a range of other meters to cover every possible need of the electrical or electronic engineer from about £6.50 upwards. Send the coupon now for the complete catalogue.

Please send me your catalogue with full details of all your test equipment.

Name _____

Address _____



Eagle International, Precision Centre, Heather Park Drive, Wembley HA0 1SU Middlesex Tel: (01)-902 8832

Eagle

W.W.

WW-036 FOR FURTHER DETAILS

carbon film resistors

£2:50^{+VAT} per 1000!

1/4 W 5% TOL E24 RANGE

SUPPLIED ONLY IN MULTIPLES OF 1000 pcs per OHMIC VALUE
MIN. ORDER £25 WHILE STOCKS LAST

SEND FOR LISTS & SAMPLE OTHER ITEMS AVAILABLE

PBRA LTD THREE ELM LANE GOLDEN GREEN TONBRIDGE TN11 0LH
phone HOPFIELD (073274) 345

WW-059 FOR FURTHER DETAILS

The world's most famous company in communication, the Nippon Electric Company Ltd., Tokyo, has developed the famous NED CQ radio amateur gears, being with regard to design, quality, reliability and price real pace-setters for today's communicators.

First in history of amateur radio, such a big and famous company with more than 80 years of experience in construction of communication facilities, made its experience available to radio amateurs around the world.

The NEC, which has declared microwave space communication to its speciality, knows perfectly which attributes equipments must have for becoming bestsellers.

Today we present:

NEC CQ 110 E DIGITAL



allband, HF, 300 watt transceiver, 160 / 80 / 40 / 20 / 15 / 11 / 10A / 10B / 10C / 10D / WWV, modes FSK, USB, LSB, CW, AM, with separate 8 pole X-tal lattice filters for each mode fitted. Further features: Side tone at CW, VOX (automatic transmit-receive by talking into microphone), 11 meter CB band, all channels easily selectable through digital counter, excellent receiver sensitivity at extreme crossmodulation security by application for the 7360 low noise beam, deflection mixer tube.

This feature alone makes of the NEC CQ 110 E a top rider. Fixed channel communication on 22 channels is possible. A 60 page manual and a high quality dynamic microphone are supplied with the transceiver. Speaker, AC 100-235 volts and DC 13.5 volts power supplies are built in of course.

NEC CQ 301



allband HF, 3KW, linear amplifier, 160/80/40/20/15/11/10 meter, for modern amateur communication. Two EIMAC 3-500 Z triodes, in zero bias grounded grid application guarantee long trouble free communication. The NEC CQ 301 can be driven by our CQ 110E or other exciters capable of about 50-100 watts of drive. AC power supply 100-235 volts is built in of course.

RETAILERS: Do not hesitate to accept our offer. Join us in selling these bestsellers!

Sole distributor in Europe:

CEC Corp., Via Valdani 1 - CH 6830 CHIASSO - SWITZERLAND
Phone: (091) 44 26 51. Telex: 79959 CH

WW-086 FOR FURTHER DETAILS

PAKS - PARTS - AUDIO MODULES

PANEL METERS

4" RANGE
Size 4 1/4" x 3 3/4" x 1 1/4"
Value No. Price
0-50UA 1302 £5.75
0-100UA 1303 £5.75
0-500UA 1304 £5.75
0-1MA 1305 £5.75
0-50V 1306 £5.75

2" RANGE
Size 2 3/8" x 1 3/4" x 1 1/2"
Value No. Price
0-50UA 1307 £4.50
0-100UA 1308 £4.50
0-500UA 1309 £4.50
0-1MA 1310 £4.50
0-50V 1311 £4.50

MR2P TYPE
Size 42x42x30mm
Value No. Price
0-50UA 1313 £4.95
0-1MA 1315 £4.95

EDGEWISE
Size 3 1/4" x 1 3/4" x 2 1/4"
Cut out 2 1/4" x 1 1/4"
Value No. Price
0-1MA 1316 £3.80
0-500UA 1317 £3.80

MINIATURE BALANCE/TUNING METER
Size 23x22x26mm
Sensitivity 100/0/100MA
No. 1318
Price £1.95

BALANCE/TUNING
Size 45x22x34mm
Sensitivity 100/0/100UA
No. 1319
Price £2.00

MIN. LEVEL METER
Size 23x22x26mm
Sensitivity 200UA
No. 1320
Price £1.95

Vu METER
Size 40x40x29mm
Sensitivity 130UA
No. 1321
Price £2.00

MINI-MULTI-METER
Size 60x24x90mm
Sensitivity 1000 ohms/V
AC VOLTS 0-10. 50. 250
1000
DC VOLTS 0-10. 50. 250.
100
DC CURRENT 0-1-100mA
Resistance 0-150k ohms
No. 1322
Price £5.95

HIGH SENSITIVITY TEST METER
Sensitivity 50,000 ohms/V
Size 6 1/2" x 4 1/2" x 2 1/4"
AC VOLTS 0-1.5 to 0/500
in 10 Ranges
DC VOLTS 0-0.5 to 0/500
in 12 Ranges
DC Current 0-25 uA to 0/10A
in 10 Ranges
Resistance 0-100 ohms to 0/1.6 meg
in 4 Ranges
Decibels -20 to 62dB
in 10 Ranges
No. 1324
Price £19.76

TRANSISTORS

BRAND NEW - FULLY GUARANTEED

Type	Price	Type	Price	Type	Price	Type	Price	Type	Price	Type	Price	Type	Price	Type	Price
AC126	£0.18	BC109C	£0.08	BC550	£0.14	BFY52	£0.14	TIP2955	£0.95	2N3708	£0.07				
AC127	£0.18	BC147	£0.10	BC556	£0.14	BIP19	£0.38	TIP305S	£0.75	2N3708A	£0.07				
AC128	£0.18	BC148	£0.10	BC557	£0.13	BIP20	£0.38	TS43	£0.24	2N3709	£0.07				
AC128K	£0.26	BC149	£0.10	BC558	£0.12	BIP19	£0.12	UT46	£0.22	2N3710	£0.07				
AC132	£0.20	BC157	£0.10	BC559	£0.14	20 MP	£0.80	ZT107	£0.10	2N3819	£0.20				
AC137	£0.20	BC159	£0.10	BD116	£0.50	BU105	£1.70	ZT108	£0.10	2N3820	£0.40				
AC141	£0.22	BC167	£0.12	BD121	£0.65	BU105/02	£1.95	ZT109	£0.10	2N3821	£0.60				
AC141K	£0.20	BC168	£0.12	BD123	£0.65	BU204	£0.70	ZT1300	£0.12	2N3823	£0.60				
AC142	£0.20	BC169	£0.12	BD124	£0.70	BU205	£1.70	ZT4500	£0.14	2N4058	£0.12				
AC176	£0.18	BC169C	£0.12	BD131	£0.38	BU208	£2.40	2N1613	£0.20	2N4286	£0.14				
AC176K	£0.26	BC176	£0.12	BD132	£0.40	BU208/02	£2.95	2N1711	£0.20	2N4060	£0.14				
AC178	£0.25	BC171	£0.10	BD131/1	£1.22	MP	£0.85	2N1889	£0.45	2N4061	£0.12				
AC179	£0.25	BC172	£0.10	BD132	£0.85	MJE2955	£0.98	2N1890	£0.45	2N4062	£0.12				
AC180	£0.20	BC173	£0.12	BD133	£0.60	MJE3055	£0.60	2N1893	£0.30	2N4284	£0.18				
AC180K	£0.28	BC177	£0.16	BD135	£0.40	MJE3440	£0.52	2N1477	£0.75	2N4285	£0.18				
AC181	£0.20	BC178	£0.16	BD136	£0.40	MPB113	£0.52	2N2148	£0.70	2N4286	£0.18				
AC181K	£0.28	BC179	£0.16	BD137	£0.42	MPF102	£0.35	2N2160	£0.80	2N4287	£0.18				
AC187	£0.18	BC180	£0.25	BD138	£0.54	MPF104	£1.22	2N192	£0.38	2N4288	£0.18				
AC187K	£0.20	BC181	£0.25	BD139	£0.54	MPF105	£0.38	2N193	£0.38	2N4289	£0.18				
AC188	£0.18	BC182L	£0.10	BD140	£0.60	MPSA05	£0.30	2N194	£0.38	2N4290	£0.18				
AC188K	£0.20	BC183	£0.10	BD139	£0.60	MPSA06	£0.30	2N217	£0.22	2N4291	£0.18				
AD140	£0.80	BC183L	£0.10	140 MP	£1.20	MPSA55	£0.28	2N218	£0.22	2N4292	£0.18				
AD142	£0.85	BC184	£0.10	BD155	£0.80	MPSA56	£0.28	2N218A	£0.22	2N4293	£0.18				
AD143	£0.75	BC184L	£0.10	BD175	£0.64	OC22	£1.50	2N219	£0.20	2N4921	£0.55				
AD149	£0.60	BC207	£0.11	BD176	£0.60	OC23	£1.50	2N219A	£0.24	2N4923	£0.65				
AD161	£0.42	BC208	£0.11	BD177	£0.68	OC24	£1.35	2N2904	£0.18	2N5135	£0.10				
AD162	£0.42	BC209	£0.12	BD178	£0.68	OC25	£0.60	2N2904A	£0.21	2N5136	£0.10				
AD161	£0.42	BC212	£0.11	BD179	£0.75	OC26	£0.60	2N2905	£0.18	2N5138	£0.10				
I62MP	£0.85	BC251	£0.15	BD201	£0.90	OC44	£0.28	2N2905A	£0.21	2N5194	£0.56				
AF114	£0.21	BC213	£0.11	202 MP	£1.70	OC28	£0.80	2N2906	£0.18	2N5245	£0.40				
AF115	£0.21	BC213L	£0.11	BO203	£0.80	OC29	£0.95	2N2906A	£0.19	2N5294	£0.34				
AF116	£0.21	BC214	£0.12	BO204	£0.80	OC35	£0.90	2N2907	£0.20	2N5296	£0.56				
AF117	£0.21	BC214L	£0.12	BO203	£0.80	OC36	£0.90	2N2907A	£0.22	2N5457	£0.32				
AF118	£0.40	BC237	£0.16	204 MP	£1.70	OC70	£0.24	2N2956	£0.09	2N5458	£0.32				
AF124	£0.30	BC238	£0.16	BDY20	£0.80	OC71	£0.15	2N2928	£0.08	2N5459	£0.38				
AF125	£0.30	BC251	£0.15	BDX77	£0.90	TIC44	£0.28	2N2926B	£0.08	2N5551	£0.36				
AF126	£0.30	BC251A	£0.16	BF457	£0.37	TIC45	£0.35	2N2926R	£0.08	2N6027	£0.39				
AF127	£0.32	BC301	£0.28	BF458	£0.37	TIP29A	£0.44	2N2926B	£0.08	2N6121	£0.70				
AF129	£0.58	BC302	£0.28	BF459	£0.38	TIP29B	£0.52	2N3053	£0.16	2N6122	£0.70				
AF180	£0.40	BC303	£0.28	BF594	£0.30	TIP29C	£0.62	2N3054	£0.40	40311	£0.38				
AF181	£0.60	BC304	£0.38	BF595	£0.28	TIP30A	£0.50	2N3055	£0.40	40313	£0.95				
AF182	£0.58	BC305	£0.38	BF596	£0.28	TIP30B	£0.50	2N3056	£0.40	40316	£0.95				
AF239	£0.50	BC328	£0.15	BF400	£0.25	TIP30C	£0.50	2N3415	£0.16	40317	£0.40				
AL102	£1.20	BC337	£0.15	BF479	£0.45	TIP31A	£0.45	2N3416	£0.29	40326	£0.40				
AL103	£1.20	BC338	£0.15	BF480	£0.45	TIP31B	£0.47	2N3417	£0.29	40327	£0.45				
AU104	£1.18	BC440	£0.30	BF429	£0.25	TIP31C	£0.49	2N3614	£0.85	40346	£0.65				
AU110	£1.00	BC441	£0.30	BF430	£0.30	TIP32A	£0.49	2N3615	£0.90	40347	£0.65				
AU113	£1.00	BC450	£0.38	BF484	£0.23	TIP32B	£0.51	2N3616	£0.90	40348	£0.80				
BC107A	£0.08	BC461	£0.38	BF485	£0.24	TIP32C	£0.51	2N3646	£0.09	40360	£0.36				
BC107B	£0.08	BC477	£0.20	BF486	£0.25	TIP41A	£0.49	2N3702	£0.08	40361	£0.36				
BC107C	£0.08	BC478	£0.20	BF487	£0.22	TIP41B	£0.51	2N3703	£0.08	40362	£0.38				
BC108A	£0.08	BC479	£0.20	BF488	£0.22	TIP41C	£0.53	2N3704	£0.07	40406	£0.45				
BC108B	£0.08	BC547	£0.12	BF490	£0.55	TIP42A	£0.53	2N3705	£0.07	40407	£0.35				
BC108C	£0.08	BC548	£0.12	BF491	£0.14	TIP42B	£0.55	2N3706	£0.08	40408	£0.45				
BC109B	£0.08	BC549	£0.12	BF491	£0.14	TIP42C	£0.55	2N3707	£0.08	40409	£0.75				

74 SERIES TTL ICs

FULL SPECIFICATION GUARANTEED ALL FAMOUS MANUFACTURERS

Type	Price	Type	Price	Type	Price	Type	Price	Type	Price	Type	Price
7400	£0.14	7409	£0.15	7441	£0.64	7482	£0.85	7493	£0.40	74122	£0.50
7401	£0.14	7410	£0.14	7442	£0.64	7483	£0.85	7494	£0.38	74123	£0.70
7402	£0.15	7411	£0.23	7445	£0.90	7484	£0.95	7495	£0.38	74141	£0.80
7403	£0.15	7412	£0.23	7446	£0.90	7485	£1.20	7496	£0.80	74154	£1.30
7404	£0.15	7413	£0.27	7447	£0.78	7486	£0.30	74100	£1.00	74180	£1.10
7405	£0.15	7414	£0.58	7448	£0.80	7489	£2.90	74110	£0.50	74181	£2.00
7406	£0.30	7416	£0.28	7475	£0.48	7490	£0.42	74118	£0.90	74189	£1.50
7407	£0.15	7417	£0.28	7480	£0.50	7491	£0.75	74119	£1.85	74198	£2.00
7408	£0.15	7440	£0.15	7481	£0.95	7492	£0.45	74121	£0.30	74199	£1.90

CMOS ICs

Type	Price	Type	Price	Type	Price	Type	Price	Type	Price	Type	Price
CD4000	£0.20	CD4012	£0.20	CD4022	£0.98	CD4031	£2.20	CD4046	£1.30	CD4071	£0.23
CD4001	£0.20	CD4013	£0.52	CD4023	£0.20	CD4035	£1.60	CD4047	£1.10	CD4072	£0.23
CD4022	£0.20	CD4015	£0.98	CD4024	£0.80	CD4037	£0.95	CD4048	£0.55	CD4081	£0.22
CD4006	£0.20	CD4016	£0.52	CD4025	£0.80	CD4038	£0.40	CD4049	£0.55	CD4082	£0.23
CD4007	£0.20	CD4017	£0.98	CD4026	£1.95	CD4041	£0.82	CD4054	£1.20	4510	£1.30
CD4008	£0.98	CD4018	£1.00	CD4027	£0.60	CD4042	£0.82	CD4055	£1.85	4511	£1.60
CD4009	£0.58	CD4019	£0.55	CD4028	£0.98	CD4043	£0.98	CD4056	£1.35	4516	£1.40
CD4010	£0.58	CD4020	£1.10	CD4029	£1.15	CD4044	£0.94	CD4069	£0.40	4518	£1.25
CD4011	£0.20	CD4021	£0.98	CD4030	£0.55	CD4045	£1.40	CD4070	£0.40	4520	£1.25

LINEAR ICs

Type	Price	Type	Price	Type	Price	Type	Price	Type	Price	Type	Price
CA23011	£1.05	LM304	£2.00	MC1352P	£1.40	72702	£0.46	748P	£0.25		
CA3014	£1.70	LM308	£1.40	MC1456G	£1.40	uA703A	£0.25	SN76013N	£1.40		
CA3018	£0.75	LM309K	£1.								

BI-PAK

High quality modules for stereo, mono and other audio equipment.



PUSH-BUTTON STEREO FM TUNER

OUR PRICE ONLY
£20.45

Fitted with Phase Lock-loop Decoder

The 450 Tuner provides instant program selection at the touch of a button ensuring accurate tuning of 4 pre-selected stations, any of which may be altered as often as you choose, by simply changing the settings of the pre-set controls.

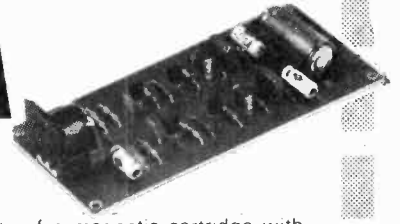
Used with your existing audio equipment or with the BI-KITS, STEREO 30 or the MK60 Kit etc. Alternatively the PS12 can be used if no suitable supply is available, together with the Transformer T538.

The S450 is supplied fully built, tested and aligned. The unit is easily installed using the simple instructions supplied.

- ★ FET Input Stage
- ★ VARI-CAP diode tuning
- ★ Switched AFC
- ★ Multi turn pre-sets
- ★ LED Stereo Indicator

Typical Specification:
Sensitivity 3µ volts
Stereo separation 30db
Supply required 20-30v at 90 Ma max.

MPA 30



Enjoy the quality of a magnetic cartridge with your existing ceramic equipment using the new M.P.A. 30, a high quality pre-amplifier enabling magnetic cartridges to be used where facilities exist for the use of ceramic cartridges only. It is provided with a standard DIN input socket for ease of connection. Full instructions supplied.

£2.85

STEREO PRE-AMPLIFIER



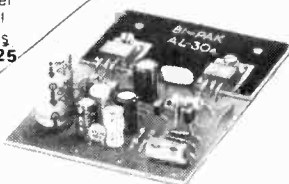
A top quality stereo pre-amplifier and tone control unit. The six push-button selector switch provides a choice of inputs together with two really effective filters for high and low frequencies, plus tape output.

MK. 60 AUDIO KIT: Comprising 2 x AL60's, 1 x SPM80, 1 x BTM80, 1 x PA100, 1 front panel and knobs. 1 Kit of parts to include on/off switch, neon indicator, stereo headphone sockets plus instruction booklet. **COMPLETE PRICE £35.00** plus 85p postage.

TEAK 60 AUDIO KIT: Comprising Teak veneered cabinet size 16 3/4" x 11 1/2" x 3 3/4", other parts include aluminium chassis, heatsink and front panel bracket plus back panel and appropriate sockets. **Kit PRICE £13.25** plus 85p postage.

Frequency Response + 1dB 20Hz-20KHz Sensitivity of inputs
1 Tape Input 100mV into 100K ohms
2 Radio Tuner 100mV into 100K ohms
3 Magnetic P.U. 3mV into 50K ohms
P.U. Input equalises to R1AA curve with 1dB from 20Hz to 20KHz
Supply -- 20-35V at 20mA.

Dimensions 299mm x 89mm x 35mm.



ONLY £3.65

PA 100

OUR PRICE
£13.75

NEW AL30A 10w R.M.S. AUDIO AMPLIFIER MODULE

The AL30A is a high quality audio amplifier module replacing our AL20 & 30. The versatility of its design makes it ideal for record players, tape recorders, stereo amps, cassette and cartridge players. A power supply is available comprising a PS12 together with a transformer T538, also for stereo, the pre-amp PA12.

- SPECIFICATION:**
- Output Power 10w. R.M.S.
 - Load Impedance 8 to 60ms.
 - Sensitivity 90mV for full output.
 - Frequency Response 60Hz to 25KHz + 2db.
 - Supply 22 to 32 volts.
 - Input Impedance 50K.
 - Total Harmonic Distortion Less than .5% (Typically .3%).
 - Max. Heat Sink Temp 80 c.

● Dimensions 90 x 64 x 27mm

VAT ADD 12 1/2%

POSTAGE & PACKING

Postage & Packing add 25p unless otherwise shown. Add extra for airmail. Min. £1.00

STEREO 30 COMPLETE AUDIO

7+7 WATTS R.M.S.



£16.25

The Stereo 30 comprises a complete stereo pre-amplifier, power amplifiers and power supply. This, with only the addition of a transformer or overwind will produce a high quality audio unit suitable for use with a wide range of inputs i.e. high quality ceramic pick-up, stereo tuner, stereo tape deck etc. Simple to install, capable of producing really first class results, this unit is supplied with full instructions, black front panel knobs, main switch, fuse and fuse holder and universal mounting brackets enabling it to be installed in a record plinth, cabinets of your own construction or the cabinet available ideal for the beginner or the advanced constructor who requires Hi-Fi performance with a minimum of installation difficulty (can be installed in 30 mins)

TRANSFORMER £3.25 plus 50p p & p
TEAK CASE £5.45 plus 70p p & p

AL 60 25 Watts (RMS)

- ★ Max Heat Sink temp 90C.
- ★ Frequency response 20Hz to 100KHz
- ★ Distortion better than 0.1 at 1KHz
- ★ Supply voltage 15-50v
- ★ Thermal Feedback
- ★ Latest Design Improvements
- ★ Load - 3,4,8, or 16 ohms
- ★ Signal to noise ratio 80db
- ★ Overall size 63mm. 105mm. 13mm.

Especially designed to a strict specification. Only the finest components have been used and the latest solid-state circuitry incorporated in this powerful little amplifier which should satisfy the most critical A.F. enthusiast

Stabilised Power Supply Type SPM80

SPM80 is especially designed to power 2 of the AL60 Amplifiers, up to 15 watts (R.M.S.) per channel simultaneously. With the addition of the Mains Transformer **BMT80**, the unit will provide outputs of up to 1.5A at 35V. Size 63mm. 105mm. 30mm. Incorporating short circuit protection.

Transformer BMT80 £5.40 + 86p postage

£3.75

NEW PA12

Frequency Response 20Hz-20KHz (-3dB). Bass and Treble range, 12dB. Input Impedance 1 meg ohm. Input Sensitivity 300mV. Supply requirements 24V. 5mA. Size 152mm x 84mm x 33mm.

NEW PA12 Stereo Pre-Amplifier completely redesigned for use with AL30A Amplifier Modules. Features include on/off volume, Balance, Bass and Treble controls. Complete with tape output.

£6.70

£4.35

PS12

Power supply for AL30A, PA12, SA450, etc.

OUR PRICE £1.30

Input voltage 15-20v A.C. Output voltage 22-30v D.C. Output current 800 mA Max. Size 60mm x 43mm x 26mm
Transformer T538 £3.20

BI-PAK

P.O. BOX 6 WARE HERTS.

SHOP AT 18 BALDOCK ST., WARE, HERTS. OPEN 9 to 5.30 Mon. / Sat.

THE DYNAMIC DUO



The C15/15 is a unique Power Amplifier providing Stereo 15 watts per channel or 30 watts Mono and can be used with any car radio/tape unit. It is simply wired in series with the existing speaker leads and in conjunction with our speakers S15 produces a system of incredible performance.

A novel feature is that the amplifier is automatically switched on or off by sensing the power line of the radio/tape unit hence alleviating the need for an on/off switch.

The amplifier is sealed into an integral heatsink and is terminated by screw connectors making installation a very easy process.

The S15 has been specially designed for car use and produces performance equal to domestic speakers yet retaining high power handling and compact size.

C15/15

15 Watts per channel into 4Ω
Distortion 0.2% at 1KHz at 15 watts
Frequency response 50Hz - 30KHz
Input Impedance 8Ω nominal
Input sensitivity 2 volts R.M.S. for 15 watts output
Power line 10 - 18 volts
Open and Short circuit protection
Thermal protection
Size 4 × 4 × 1 inches

Data on S15

6" Diameter
5¼" Air Suspension
2" Active Tweeter
20oz Ceramic magnet
15 Watts R.M.S. handling
50 Hz - 15KHz frequency response
4Ω Impedance

C15/15 Price £17.74 + £2.21 VAT P & P free

S15 Price per pair £17.74 + £2.21 VAT P & P free

TWO YEARS GUARANTEE ON ALL OF OUR PRODUCTS

I.L.P. Electronics Ltd
Crossland House
Nackington, Canterbury
Kent CT4 7AD
Tel (0227) 63218

Please Supply _____
Total Purchase Price _____
 Enclose Cheque Postal Orders Money Order
 Please debit my Access account Barclaycard account
Account number _____
Name & Address _____
Signature _____

WW-056 FOR FURTHER DETAILS

DIY SPEAKER KITS

15-WATT KIT IN CHASSIS FORM

When you are looking for a good speaker, why not build your own from this kit. It's the unit which we supply with the enclosures illustrated below Size 13" x 8" (approx.) woofer (EMI), tweeter, and matching crossover components. Power handling capacity 15 watts rms, 30 watts peak.

£17.00 PER STEREO PAIR
+ P & P £3.40

EASY-TO-BUILD WITH ENCLOSURE

Specially designed by RT-VC for cost-conscious hi-fi enthusiasts, these kits incorporate two teak-simulate enclosures, two EMI 13" x 8" (approx.) woofers, two tweeters and a pair of matching crossovers. Easily constructed, using a few basic tools. Supplied complete with an easy-to-follow circuit diagram, and crossover components. Input 15 watts rms.

£28.00
30 watts peak, each unit.
Cabinet size 20" x 11" x 9 1/2" PER STEREO PAIR
(approx.) + P & P £5.50

COMPACT FOR TOP VALUE

How about this for incredible bookshelf value from RT-VC! A pair of high efficiency units for only £7.50 - just what you need for low-power amplifiers. These infinite baffle enclosures come to you ready nitted and professionally finished. Each cabinet measures 12" x 9" x 5" (approx.) deep, and is in wood simulate. Complete with two 8" (approx.) speakers for max. power handling of 7 watts.

SPEAKERS Two models - Duo IIB, teak veneer, 12 watts rms, 24 watts peak.

18 1/2" x 13 1/2" x 7 1/2" (approx.)

★ £34 PER PAIR
+ P & P £6.50

Duo III, 20 watts rms, 40 watts peak.

27" x 13" x 11 1/2" (approx.)

★ £52 PER PAIR
+ P & P £7.50

EASY TO BUILD RECORD PLAYER KIT

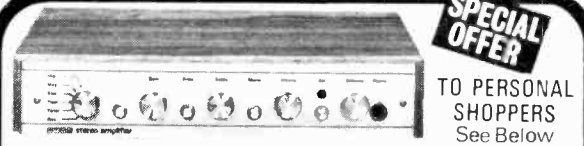
Ideally suited for the constructor who requires a complete stereo unit at a budget price, comprising ready assembled stereo amp. module, Garrard auto/manual deck with cueing device, pre-cut and finished cabinet work. Output 4 watts per channel, phones socket and record / replay socket

£26.95
+ P & P £4.05

CAR RADIO KIT

Complete with speaker, baffle and fixing strip. The Tourist IV for the experienced constructor only. The Tourist IV has five push buttons, four medium band and one for long wave band. The tuning scale is illuminated and attractive small aluminium control knobs are used for manual tuning and volume control. The modern style fascia has been designed to blend with most car interiors and the finished radio will slot into a standard car radio aperture. Size approx. 7" x 2" x 4 1/2". 12 volts pos or neg earth (altered internally) p & p £1.50 **£12.50**

Output 4 watts into 4 ohms.
FREE TO PERSONAL SHOPPERS BUYING CAR RADIO KIT ELECTROMATE Rear window heater modern line element all wiring and switch worth **£3.00**



20 x 20 WATT STEREO AMPLIFIER

Superb Viscount IV unit in teak-finished cabinet. Silver fascia with aluminium rotary controls and pushbuttons, red mains indicator and stereo jack socket. Function switch for mic, magnetic and crystal pick-ups, tape, tuner, and auxiliary. Rear panel features two mains outlets, DIN speaker and input sockets, plus fuse. 20 + 20 watts rms, 40 + 40 watts peak

£29.90 p & p £2.50

FREE To cash or cheque personal shoppers A 4 channel Stereo Adaptor to all buyers of the Viscount 20 x 20 Amplifier at **£29.90** limited offer. Available separately at **£3.95**

+ £1.00 p & p

SPECIAL OFFER For example Duo speaker system II or III Viscount Amplifier, MP60 type turntable complete **★ on complete stereo systems using started Products**

ADD-ON STEREO CASSETTE TAPE DECK KIT

Designed for the experienced D.I.Y. man. This kit comprises of a tape transport mechanism, ready built and tested record/replay electronics with twin V.U. meters and level control ready for mating together with the mechanism.

Specifications: Sensitivity - Mic. 0.85mV @ 20K OHMS. Din. 40mV @ 400K OHMS. Output - 300mV RMS per channel @ 1KHz from 2K OHMS source. Cross Talk - -30db. Tape Counter - 3 Digit - Resettable: Frequency Response - 40Hz - 8KHz ± 6db: Deck Motor - 9 Volt DC with electronic speed regulations: Key Functions - Record, Rewind, Fast Forward, Play, Stop & Eject

£19.95 p & p £2.50

Pair of Dynamic microphones **£3.95** + £1.00 p & p. Optional extras: Mains transformer **£2.50** + £1.00 p & p.

STEREO CASSETTE record/replay fully built P.C. board incorporating 4 I.C.s.

£2.75
GRUNDIG 5 1/2" tape 1800 ft. **£1.20** each, 5 for **£5.00**

PAIR STEREO 8 WATT SPEAKERS 8" bass units with 3 1/2" approx. tweeters power handling 8 watts imp 8ohms. Size 16 1/2" x 11" x 8 1/2" approx. **£12.95**

SLIMLINE RECORD PLAYER PLINTH, accepts BSR Turntable **95p**

GOODMAN 5" approx. 7 watt bass speaker **£2.70**

AM. FM. TUNER P.C.B. with Mullard L.P. 1186, 1185, 1181 modules **£9.50**

100K Multiturn Varicap tuning pots: 6 for HEAVY DUTY FIBRE GLASS COPPER CLAD BOARD **£1.00**

25" x 17" x 1/4" approx. per sheet only **£1.90**

DECCA DC1000 Stereo Cassette Record deck P.C.B. complete with switch oscillator coils and tape-heads and circuit diagrams. **£2.95**

AM. FM. STEREO MULTIPLEX CAR RADIO/cassette player in dash fixing Negative earth 5 watts output I.C. Stereo 8 Track to Cassette adaptor converts any 8 track player to cassette player. **£36.00**

£18.95

Personal Shoppers Only!

BSR TURNTABLES

BSR automatic record player deck (Chassis form) with cueing device and stereo ceramic head. **£9.95** P & P £2.55

Cartridges to suit above: ACOS MAGNETIC STEREO **£4.95** CERAMIC STEREO **£1.95**

TURNTABLE illus. diamond stylus, and de luxe plinth and cover. **£29** + P & P £4.50

Popular BSR MP 60 type, complete with magnetic cartridge, Ready wired **★ £4.50**

30 x 30 WATT AMPLIFIER KIT

Specially designed by RT-VC for the experienced constructor, this kit comes complete in every detail. Same facilities as Viscount IV amplifier. Chassis is ready punched, drilled and formed. Cabinet is finished in teak veneer. Silver fascia and easy-to-handle aluminium knobs: Output 30 + 30 watts rms, 60 + 60 peak. **£29.00** p & p £2.50

NOW AVAILABLE fully built and tested. **£35.00** + P & P £2.50

DECCA 20 WATTS STEREO SPEAKER

This matching loudspeaker system is hand made. kit comprises of two 8" diameter approx. base drive unit, with heavy die cast chassis laminated cones with rolled P.V.C. surrounds, two 3 1/2" diameter approx. domed tweeters comp with crossover networks (4.00 p & p stereo pair) **£20.00**

Order giving your credit card number ONLY **ALL PRICES INC. VAT AT 12 1/2%**

323 EDGWARE ROAD, LONDON W2
Personal Shoppers EDGWARE: ROAD 9.30am - 5.30pm Half day Thurs
21 (E) HIGH STREET, ACTON, LONDON W3 6NG
ACTON: Mail Order only No callers



PORTABLE MONO DISCO

with built-in pre-amplifiers Here's the big-value portable disco console from RT-VC! It features a pair of BSR MP 60 type auto-return, single play professional series record decks. Plus all the controls and features you need to give fabulous disco performances. Simply connects into your existing slave or external amplifier. **£64.00** p & p £6.50

45 WATT MONO DISCO AMP

£35.00 + P & P £2.50

Size approx. 13 3/8" x 5 1/2" x 6 3/4"

Here's the mono unit you need to start off with. Gives you a good solid 45 watts rms, 90 watts peak output. Big features include two disc inputs, both for ceramic cartridges, tape input and microphone input. Level mixing controls fitted with integral push-pull switches. Independent bass and treble controls and master volume.

70 & 100 WATT MONO DISCO AMP

Size approx. 14" x 4" x 10 1/2"

Sloping fascia, you can use the controls without fuss or bother. Brushed aluminium fascia and rotary controls. Five smooth acting, vertically mounted slide controls - master volume, tape level, mic level, deck level, PLUS INTER-DECK FADE for perfect graduated change from record deck No. 1 to No. 2, or vice versa. Pre-fade level control (PFL) lets YOU hear next disc before fading 70 watt 57 it in. VU meter monitors output level. 100 watt 65 Output 100 watts RMS 200 watts peak. p & p £4.00

BSR BD595 SERIES

Belt drive turntable unit, 2 speed, semi automatic operation **£24.95** + P & P £2.55

PRACTICE GUITAR AMPLIFIER WITH BUILT-IN SPEAKER

This budget practice amplifier, has been specially designed for the amateur, who requires a quality self-contained unit with all facilities. 2 inputs 1 for mic or guitar, the 2nd for record player or cassette deck. it also can be used for cine-sound amplification. 2 volume controls, 1 for each input, also base and treble controls. Power output with internal speaker, 10 watts RMS, with remote speaker (not supplied) 20 watts RMS. Size approx. 17" x 9" 11" + P & P £3.00 **£32.50**

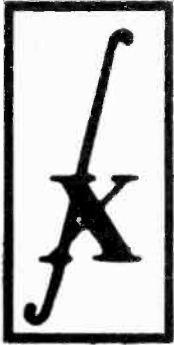
HOME 8 TRACK CARTRIDGE PLAYER

Automatically switches programmes monitored by indicators, with manual override track selection. This unit will match with the Unisound modules and is compatible with the Viscount IV amplifier with Sim teak cabinet approx. 9" x 8" x 3 1/2" p & p £2.50 **£16.50**

PYE STEREO GRAM CHASSIS

(Complete with circuit diagrams)

Complete ready to install - Wave bands: LM, VHF STEREO, VHF MONO. Controls for tuning volume, balance, bass and treble. Power output 7 watts R.M.S per channel 14 watts peak 8 ohms. 2" x 8" approx chassis speakers and BSR auto record player deck. **PERSONAL SHOPPERS ONLY £35.00**



NEW PRODUCTS!

NRDC-AMBISONIC 45J



SURROUND SOUND DECODER

The **first ever** kit specially produced by Integrex for this British NRDC backed surround sound system which is the result of 7 years' research by the Ambisonic team. W.W. July, Aug., '77.

The unit is designed to decode not only 45J but virtually all other 'quadrophonic' systems (Not CD4), including the new BBC Matrix H. 10 input selections.

The decoder is linear throughout and does not rely on listener fatiguing logic enhancement techniques. Both 2 to 3 input signals and 4 or 6 output signals are provided in this most versatile unit. Complete with mains power supply, wooden cabinet, panel, knobs, etc.

Complete kit, including licence fee £45.00 + VAT

Or ready built and tested. £61.50 + VAT

INTRUDER 1 RADAR ALARM

With Home Office Type approval

As in "Wireless World", designed by Mike Hosking, 240V ac mains operated and disguised as a hardbacked book. Detection range up to 30 feet. Complete kit. Exclusive designer approved kit £46.00 + VAT, or ready built and tested. £54.00 + VAT.

Wireless World DolbyTM noise reducer

Trademark of Dolby Laboratories Inc.



Typical performance

Noise reduction better than 9dB weighted.
Clipping level 16.5dB above Dolby level (measured at 1% third harmonic content)

Harmonic distortion 0.1% at Dolby level typically 0.05% over most of band, rising to a maximum of 0.12%

Signal-to-noise ratio: 75dB (20Hz to 20kHz, signal at Dolby level) at Monitor output

Dynamic Range > 90dB

30mV sensitivity

Featuring

- switching for both encoding (low-level h.f. compression) and decoding
- a switchable f.m. stereo multiplex and bias filter.
- provision for decoding Dolby f.m. radio transmissions (as in USA)
- no equipment needed for alignment.
- suitability for both open-reel and cassette tape machines.
- check tape switch for encoded monitoring in three-head machines.

Complete Kit **PRICE: £39.90 + VAT**

Also available ready built and tested

Price £54.00 + VAT

Calibration tapes are available for open-reel use and for cassette (specify which)

Price £2.20 + VAT

Single channel plug-in DolbyTM PROCESSOR BOARDS (92 x 87mm) with gold plated contacts are available with all components

Price £8.20 + VAT

Single channel board with selected fet

Price £2.50 + VAT

Gold Plated edge connector

Price £1.50 + VAT

Selected FETs **60p** each + VAT, **100p** + VAT for two, **£1.90** + VAT for four

Please add VAT @ 12½% unless marked thus, when 8% applies (or current rates)

We guarantee full after-sales technical and servicing facilities on all our kits, have you checked that these services are available from other suppliers?



INTEGREX LTD.

Please send SAE for complete lists and specifications

Portwood Industrial Estate, Church Gresley,

Burton-on-Trent, Staffs DE11 9PT

Burton-on-Trent (0283) 215432 Telex 377106

INTEGREX

S-2020TA STEREO TUNER / AMPLIFIER KIT

SOLID MAHOGANY CABINET

A high-quality push-button FM Varicap Stereo Tuner combined with a 24W r.m.s. per channel Stereo Amplifier.



Brief Spec. Amplifier: Low field Toroidal transformer, Mag. input, Tape In/Out facility (for noise reduction unit, etc.), THD less than 0.1% at 20W into 8 ohms. Power on/off FET transient protection. All sockets, fuses, etc., are PC mounted for ease of assembly. Tuner section uses 3302 FET module requiring no RF alignment, ceramic IF, INTERSTATION MUTE, and phase-locked IC stereo decoder. LED tuning and stereo indicators. Tuning range 88–104MHz. 30dB mono S/N @ 1.2µV. THD 0.3%. Pre-decoder 'birdy' filter.

PRICE: £58.95 + VAT

NELSON-JONES STEREO FM TUNER KIT

A very high performance tuner with dual gate MOSFET RF and Mixer front end, triple gang varicap tuning, and dual ceramic filter / dual IC IF amp.



Brief Spec. Tuning range 88–104MHz. 20dB mono quieting @ 0.75µV. Image rejection — 70dB. IF rejection — 85dB. THD typically 0.4%. IC stabilized PSU and LED tuning indicators. Push-button tuning and AFC unit. Choice of either mono or stereo with a choice of stereo decoders.

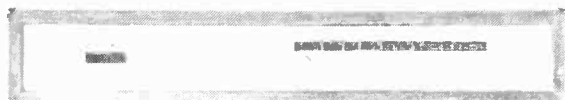
Compare this spec. with tuners costing twice the price.

Mono £32.40 + VAT

With ICPL Decoder £36.67 + VAT

With Portus-Haywood Decoder

£39.20 + VAT

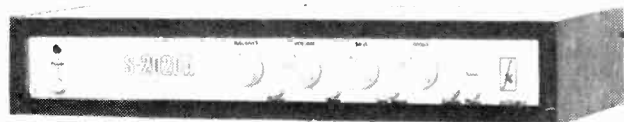


Sens. 30dB S/N mono @ 1.2µV
THD typically 0.3%
Tuning range 88–104MHz
LED sig. strength and stereo indicator

STEREO MODULE TUNER KIT

A low-cost Stereo Tuner based on the 3302 FET RF module requiring no alignment. The IF comprises a ceramic filter and high-performance IC Variable INTERSTATION MUTE. PLL stereo decoder IC. Pre-decoder 'birdy' filter Push-button tuning

PRICE: Stereo £31.95 + VAT



S-2020A AMPLIFIER KIT

Developed in our laboratories from the highly successful "TEXAN" design. PC mounting potentiometers, switches, sockets and fuses are used for ease of assembly and to minimize wiring

Power 'on/off' FET transient protection.

Typ Spec. 24 + 24W r.m.s. into 8-ohm load at less than 0.1% THD. Mag. PU input S/N 60dB. Radio input S/N 72dB. Headphone output. Tape In/Out facility (for noise reduction unit, etc.). Toroidal mains transformer.

PRICE: £33.95 + VAT

ALL THE ABOVE KITS ARE SUPPLIED COMPLETE WITH ALL METALWORK, SOCKETS, FUSES, NUTS AND BOLTS, KNOBS, FRONT PANELS, SOLID MAHOGANY CABINETS AND COMPREHENSIVE INSTRUCTIONS

BASIC NELSON-JONES TUNER KIT	£14.28 + VAT	PHASE-LOCKED IC DECODER KIT	£4.47 + VAT
BASIC MODULE TUNER KIT (stereo)	£16.75 + VAT	PUSH-BUTTON UNIT	£5.00 + VAT
PORTUS-HAYWOOD PHASE-LOCKED STEREO DECODER KIT			£8.00 + VAT

LYNX ELECTRONICS (London) LTD.

92 Broad Street, Chesham, Bucks. Tel (02405) 75154

VAT 8% except * which are 1 1/2%

Return Post Service

P&P 30p. Overseas 90p. Matching 20p per pair New Price List 20p

Prices correct at 20th October 1977. ACCESS WELCOME

REGULATORS

723	0.45
7812	1.50
7815	1.50
7818	1.50
LM309K	0.95
LM340-5	1.35
LM340-12	1.35
LM340-16	1.35
LM340-18	1.35

SUPER SAVERS

SG309K	0.95
MM5314	3.25
MM5316	3.85
TIL209	0.10
2 CLEAR	0.10
MC1310P	0.95
FCS8000 3 1/2 digit display	£2.95
FCS8024 4 digit display	£3.50

CLOCK CHIPS

MM5314	3.25
MM5316	3.85
AA5 5-1224A3.25	
AA5 5-4007D 9.95	
IC SOCKETS	
8 Pin	0.13
14 Pin	0.14
16 Pin	0.15
24 Pin	0.45
40 Pin	0.80

DISPLAYS

CLASS II	
704	0.99
707	0.99
747	1.80
LED	
2 Red	0.13
2 Green	0.20
2 Blue	0.10
TIL209	0.10

TRANSISTORS

AC126	0.15	BC182	0.11	BDY60	1.70	BU133	1.60	2N2926O	0.09
AC127	0.16	BC182L	0.12	BDY61	1.65	BU204	1.60	2N2926R	0.10
AC128	0.16	BC183	0.10	BDY62	1.15	BU205	1.90	2N2926G	0.09
AC128K	0.25	BC183L	0.10	BDY95	2.14	BU206	2.40	2N2926V	0.10
AC141	0.22	BC184	0.11	BDY96	4.96	BU208	2.80	2N3053	0.20
AC141K	0.34	BC184L	0.12	BDY97	2.45	MJ480	0.80	2N3055	0.50
AC142	0.18	BC186	0.20	BF179	0.30	MJ481	1.05	2N3137	1.10
AC142K	0.32	BC187	0.24	BF180	0.30	MJ490	0.90	2N3440	0.56
AC176	0.16	BC207B	0.12	BF181	0.30	MJ491	1.15	2N3442	1.20
AC176K	0.32	BC212	0.17	BF182	0.30	MJE340	0.40	2N3570	3.60
AC187	0.18	BC212L	0.12	BF183	0.30	MJE520	0.45	2N3702	0.10
AC187K	0.36	BC213	0.12	BF183	0.30	MJE521	0.55	2N3703	0.10
AC188	0.18	BC213L	0.14	BF185	0.20	OC43	0.95	2N3704	0.10
AC188K	0.32	BC214	0.14	BF194	0.10	OC44	0.32	2N3705	0.10
AD149	0.80	BC214L	0.15	BF196	0.12	OC45	0.32	2N3706	0.10
AD161	0.35	BC237	0.16	BF197	0.12	OC46	0.20	2N3707	0.10
AD162	0.35	BC300	0.34	BF224J	0.18	OC70	0.30	2N3708	0.09
AF114	0.15	BC300L	0.16	BF224K	0.17	OC71	0.35	2N3709	0.09
AF115	0.20	BC301	0.32	BF244	0.30	OC72	0.22	2N3710	0.10
AF116	0.20	BC302	0.40	BF336	0.30	OC84	0.40	2N3711	0.10
AF117	0.20	BC303	0.46	BF337	0.32	OC139	1.30	2N3715	1.70
AF118	0.50	BCY30	0.55	BF338	0.45	OC140	1.30	2N3716	1.80
AF124	0.25	BCY31	0.55	BF339	1.25	OC170	0.23	2N3717	1.60
AF125	0.25	BCY32	0.60	BFW59	0.30	TIP29A	0.44	2N3772	1.90
AF126	0.25	BCY33	0.55	BFW59	0.30	TIP30A	0.52	2N3773	1.90
AF139	0.35	BCY34	0.55	BFW60	0.36	TIP31A	0.54	2N3774	2.10
AF239	0.37	BCY38	0.15	BFX30	0.30	TIP32A	0.64	2N4347	1.10
AL102	1.10	BCY39	0.50	BFX29	0.26	TIP31A	0.54	2N3819	0.28
AL103	1.30	BCY40	0.75	BFX30	0.30	TIP41A	0.68	2N4348	1.20
AU107	3.30	BCY42	0.30	BFX85	0.25	TIP42A	0.72	2N4870	0.35
AU110	1.75	BCY54	1.60	BFY86	0.25	2N696	0.20	2N4871	0.35
AU113	1.60	BCY70	0.12	BFX87	0.20	2N697	0.20	2N4918	0.60
BC107	0.12	BCY71	0.18	BFX88	0.20	2N706	0.15	2N4920	0.50
BC107B	0.12	BCY72	0.12	BFX89	0.20	2N404	0.40	2N4922	0.58
BC108	0.12	BD11	0.32	BFY11	1.10	2N1131	0.15	2N4923	0.46
BC108B	0.12	BD131	0.36	BFY18	0.50	2N1132	0.15		
BC109	0.12	BD132	0.40	BFY40	0.50	2N1303	0.45		
BC109B	0.12	BD135	0.36	BFY50	0.20	2N1304	0.45		
BC109C	0.12	BD136	0.39	BFY51	0.18	2N1305	0.45		
BC117	0.15	BD137	0.40	BFY52	0.19	2N1306	0.50		
BC119	0.25	BD138	0.49	BFY52	0.18	2N1307	0.50		
BC125	0.18	BD139	0.58	BFY53	0.25	2N1307	0.50		
BC126	0.20	BD144	2.20	BFY64	0.35	2N1308	0.60		
BC140	0.32	BD157	0.60	BFY90	0.90	2N1309	0.60		
BC141	0.28	BD181	0.86	BSX19	0.18	2N2102	0.44		
BC142	0.23	BD182	0.92	BSX20	0.18	2N2127	0.30		
BC143	0.23	BD183	0.97	BSX21	0.20	2N2217	0.14		
BC147	0.09	BD184	1.20	BSY52	0.28	2N2369A	0.14		
BC148	0.09	BD232	0.60	BSY53	0.39	2N2483	0.16		
BC149	0.09	BD233	0.48	BSY54	0.33	2N2484	0.20		
BC157	0.09	BD237	0.55	BSY55	0.74	2N2646	0.50		
BC158	0.09	BD238	0.60	BSY65	0.30	2N2711	0.20		
BC159	0.09	BD410	0.60	BSY95A	0.16	2N2712	0.15		
BC160	0.32	BDX32	2.30	BU105	1.80	2N2904A	0.20		
BC161	0.38	BDY10	1.50	BU105/O2	1.90	2N2905	0.18		
BC168	0.09	BDY11	2.00	BU108	3.00	2N2905A	0.22		
BC169	0.12	BDY20	8.00	BU109	2.50	2N2906	0.18		
BC169C	0.14	BDY38	0.60	BU126	1.60	2N2925	0.14		

CMOS-PLASTIC

4000BE	0.20
4001BE	0.20
4002BE	0.20
4006BE	1.05
4008BE	0.20
4008BE	0.83
4009BE	0.52
4010BE	0.52
4011BE	0.20
4012BE	0.20
4013BE	0.20
4013BE	0.20
4014BE	1.00
4015BE	0.95
4016BE	0.54
4017BE	1.00
4018BE	1.10
4019BE	0.50
4020BE	1.12
4021BE	1.03
4022BE	0.95
4023BE	0.20
4024BE	0.88
4025BE	0.20
4026BE	0.82
4027BE	0.62
4028BE	0.91
4029BE	1.10
4030BE	0.55
4031BE	0.80
4032BE	0.83
4034BE	1.00
4044BE	0.94
4046BE	1.32
4048BE	0.54
4050BE	0.54
4059BE	0.30
4070BE	0.50
4071BE	0.26
4072BE	0.26
4073BE	0.20
4074BE	0.26
4075BE	1.42
4076BE	1.50
4077BE	1.35
4078BE	1.25
4079BE	1.20

TTL 7400 SERIES

7400	0.16	7480	0.55
7401	0.16	7482	0.75
7402	0.16	7486	0.32
7403	0.16	7489	0.82
7404	0.18	7490AN	0.49
7405	0.18	7491AN	0.65
7408	0.18	7492	0.57
7409	0.18	7493	0.45
7410	0.16	7494	0.85
7412	0.25	7495	0.67
7413	0.40	7496	0.82
7414	0.72	74100	1.07
7417	0.43	74107	0.35
7420	0.16	74121	0.34
7425	0.30	74122	0.47
7427	0.30	74123	0.65
7430	0.16	74141	0.78
7432	0.28	74145	0.68
7437	0.30	74154	1.30
7441AN	0.76	74164	0.93
7442	0.65	74165	0.93
7445	0.90	74174	1.40
7447AN	0.81	74175	0.94
7448	0.81	74180	1.06
7450	0.32	74181	2.70
7472	0.32	74191	3.33
7473	0.30	74192	1.20
7474	0.32	74193	1.35
7475	0.47	74194	1.20
7476	0.36	74196	1.64

THYRISTORS

PIV	IA	3A	4A	6A	8A	10A	15A
(10S)	(Std)	(C106)	(10220)	(10220)	(10220)	(10220)	(10220)
200	0.35	0.50	0.45	0.40	0.58	0.60	1.14
400	0.40	0.60	0.50	0.45	0.88	0.88	1.40
600	0.65	0.85	0.70	0.60	1.09	1.19	1.26
8106	8110	8110B	8110C	8111	8116	2K3525	
£1.00	£1.60	£1.60	£1.00	£1.00	£1.00	£0.50	

TRIACS - Plastic TO-220 Package Isolated Tab

	4A	6.5A	8.5A	10A	15A
(a)	(b)	(a)	(b)	(a)	(b)
100V	0.60	0.60	0.70	0.78	0.83
200V	0.64	0.64	0.75	0.87	0.97
400V	0.77	0.78	0.80	0.93	1.01
600V	0.96	0.99	1.01	1.10	1.21
N.B. Column (a) without internal trigger (b) with internal trigger					

REGULATORS

301A	0.40	MC1352P	0.75
307	0.55	MC1353P	0.75
380	0.90	MC1458P	0.77
381	1.60	MC1496L	0.82
3900	0.70	SAS560	2.25
709	0.35	SAS570	2.25
741	0.35	TAA300	1.81
748	0.35	TAA310A	1.38
NE555	0.45	TAA550	0.45
NE565	2.00	TAA611B12	
NE566	1.50		
NE567	2.00	TAA861	1.25
CA3045	0.85	TBA530	1.85
CA3046	0.50	TBA530Q	1.90
CA3130	0.90	TBA560	2.80
MC1304F	1.60	TBA570	0.98
MC1307P	0.85	TCA2705Q	
MC1310P	0.95		
MC1351P	1.20	2N414	1.95

LINEAR I.C.s

4000BE	0.20
4001BE	0.20
4002BE	0.20
4006BE	1.05
4008BE	0.20
4008BE	0.83
4009BE	0.52
4010BE	0.52
4011BE	0.20
4012BE	0.20
4013BE	0.20
4013BE	0.20
4014BE	1.00
4015BE	0.95
4016BE	0.54
4017BE	1.00
4018BE	1.10
4019BE	0.50
4020BE	1.12
4021BE	1.03
4022BE	0.95
4023BE	0.20
4024BE	0.88
4025BE	0.20
4026BE	0.82
4027BE	0.62
4028BE	0.91
4029BE	1.10
4030BE	0.55
4031BE	0.80
4032BE	



Electronics
(LONDON) LTD.

92 BROAD STREET
CHESHAM, BUCKS.
Tel: Chesham (02405) 75154
Telex: 837571

NASCOM 1

MICROCOMPUTER KIT FOR ONLY £197.50 (ex. VAT)

We are proud to announce the launch of our NASCOM I Microcomputer kit at a seminar being held at the Wembley Conference Centre on November 26th.

BASIC FEATURES

- Z80 Microprocessor
- 2K RAM
- 1K EPROM operating system software
- Visual display through ordinary domestic TV
- Full keyboard software controlled
- Program storage through standard cassette recorder
- Teletype interface included
- Expandability to 64K bytes + high level language as future products

SEMINAR DETAILS

9.55 a.m.-5.00 p.m.

Highlights include:

- 10.00-10.20 Introduction to Home Computing
- 10.20-11.00 Introduction to Hardware
- 11.20-12.00 Introduction to Software
- 12.00-12.30 Introduction to NASCOM I
- 2.30- 3.10 Interface
- 3.10- 3.50 Applications
- 4.10- 5.00 Question Time

All ticket holders will have a chance to win a NASCOM I kit on the day. The winning number will be selected by NASCOM 1.

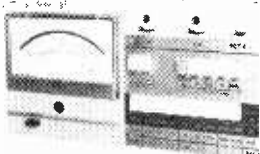
We have held back 50 tickets for Wireless World readers who have just learned of the project in this issue. So it is still not too late to attend the seminar.

PHONE OR WRITE FOR YOUR TICKETS
PRICE £3.50
(Lunch extra £4.50 (optional))

Z & I AERO SERVICES LTD.

Head Office: 44A WESTBOURNE GROVE, LONDON W2 5SF
Tel.: 727 5641 Telex: 261306

MULTIMETER F4313 (Made in USSR)



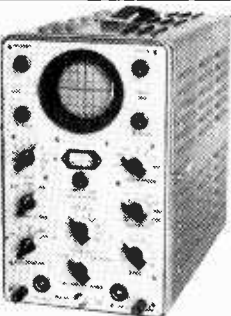
SENSITIVITY.
1200V DC range. 10,000 Ω/V
Other DC ranges 20,000 Ω/V
1200 AC range. 6,000 Ω/V
600V AC range 15,000 Ω/V
300V AC range 15,000 Ω/V
Other AC ranges. 20,000 Ω/V.

AC/DC current ranges 60-120-600μA-3-12-300mA-1.2-6A
AC/DC voltage ranges. 60-300mV-1.2-6-30-120-300-600-1200V
Resistance ranges 300Ω-10-100-1000K
Accuracy 1.5% DC; 2.5% AC (of full scale deflection)

Mirror scale and knife edge pointer Taut suspension of movement. Transistor amplifier is used for all AC ranges thus achieving a common linear scale for both AC and DC ranges

Meter is protected by a transistorised cut-out relay circuit. Range selection is achieved by clearly marked piano keys. Power source 5 1.5V dry cells. Dimensions 95 x 225 x 120mm.

PRICE £39.50 plus VAT
Packaging and postage £1.10



OSCILLOSCOPE CI-5 Made in USSR

Extremely simple and easy to use single beam oscilloscope. Well proved design based on standard octal valves makes servicing and maintenance straightforward and inexpensive. Because of its bandwidth of 10 MHz the instrument is suitable for general electronic applications and educational purposes where a sophisticated instrument would be both too expensive and delicate 3in. tube giving a 50 x 50mm clear display. Amplitude and time base calibrations. Sensitivity 30mm/v max. Triggered and free-running time base, suitable for displaying pulses from 0.1 μsec to 3 m sec. A.C mains operation.

Price £55.00 ex. works, plus VAT
Packing and carriage 'U' K only £3 00

FULLY GUARANTEED



0A2	0.45	12A5	0.65	EY87	0.50	PL504	0.90
0A3	0.55	12A5	0.55	EY88	0.50	PL509	0.90
0B2	0.45	12A7	0.45	EZ40	0.50	PL509	1.30
0C3	0.45	12A7	0.38	EZ41	0.75	PY31	0.60
0D3	0.45	12AV6	0.60	EZ80	0.30	PY33	0.63
1B3GT	0.55	12AV7	0.90	EZ81	0.35	PY81	0.45
1R5	0.55	12AX7	0.38	KT66	3.40	PY82	0.45
5R4GY	1.00	12BA4	0.80	KT88	4.80	PY83	0.50
5U4G	0.55	12BA6	0.60	PC86	0.65	PY88	0.50
5Z4G	0.55	12BE6	0.60	PC88	0.65	PY500A	1.10
5Y3GT	0.65	12BH7	0.60	PCC84	0.45	TT21	6.30
6A5	0.65	12X4	0.50	PCC85	0.45	TT22	6.30
6AK5	0.45	19A05	0.75	PCC88	0.65	UABC80	0.50
6AL5	0.30	30A5	0.70	PCC89	0.55	UA42	0.70
6AS5	0.65	35A3	0.70	PCC189	0.65	UBC41	0.50
6AS6	0.80	35A5	0.80	ECC85	0.45	ECC85	0.55
6AT6	0.60	35B5	0.70	ECC86	1.25	LF80	0.35
6AV6	0.50	35C5	0.70	ECC88	0.60	EF85	0.45
6AW8A	0.75	35A5	0.80	ECC89	0.60	EF86	0.40
6AU6	0.40	35W4	0.60	ECC189	0.80	EF183	0.35
6BA6	0.38	50C5	0.70	ECF80	0.45	EF184	0.40
6BE6	0.45	EABC80	0.40	ECF82	0.45	EFL200	0.75
6BU6	0.75	EAC91	0.55	ECF86	0.75	EL34	0.70
6BN6	0.80	EAF42	0.70	ECF801	0.75	EL36	0.60
6BZ6	0.55	EAF801	0.65	ECF802	0.75	EL81	0.60
6BZ7	0.70	EBC41	0.75	ECH42	0.85	EL82	0.60
6C4	0.40	EBC81	0.50	ECH81	0.50	EL83	0.60
6CB6	0.50	EBF80	0.50	ECH83	0.50	EL84	0.35
6EA8	0.75	EBF83	0.50	ECH84	0.50	EL95	0.70
6GK5	0.70	EBF89	0.40	ECL80	0.40	EL500	0.80
6J4	0.75	EC86	0.75	ECL81	0.75	EM80	0.55
6J5GT	0.55	EC88	0.75	ECL82	0.42	EM81	0.60
6J6	0.35	EC91	2.80	ECL83	1.15	EM84	0.40
6L6GT	0.60	ECC81	0.45	ECL84	0.60	EY81	0.45
6SL7GT	0.55	ECC82	0.38				
6SM76	0.55	ECC83	0.38				

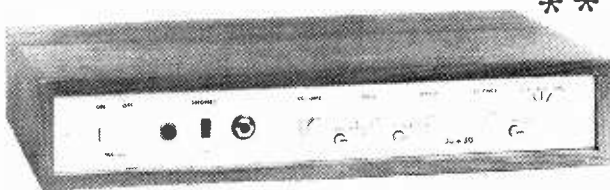
All prices are exclusive of VAT

MINIMUM EXPORT ORDER £100

LARGE STOCKS
OF
SEMICONDUCTORS

1976/1977
CATALOGUE
AVAILABLE 30p

T20+20 AND T30+30 20W, 30W AMPLIFIERS



Designed by Texas engineers and described in Practical Wireless the Texan was an immediate success. Now developed further in our laboratories to include a Toroidal transformer and additional improvements, the slimline T20+20 delivers 20W rms per channel of true Hi-Fi at exceptionally low cost. The **easy to build** design is based on a single F/Glass PCB and features all the normal facilities found on quality amplifiers including scratch and humble filters, adaptable input selector and headphones socket. In a follow-up article in Practical Wireless further modifications were suggested and these have been incorporated into the T30+30. These include RF interference filters and a tape monitor facility. Power output of this model is 30W rms per channel.

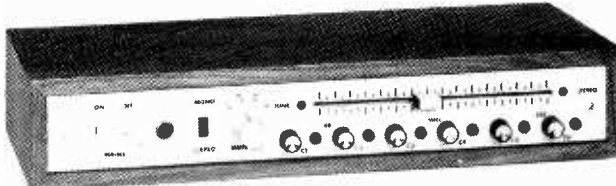
Pack	T20	T30	Pack	T20	T30
1. Set of low noise resistors	£1.60	£1.70	9. Fibreglass PCB	£3.50	£3.90
2. Set of small capacitors	£2.60	£3.40	10. Set of metalwork, fixing parts	£5.20	£6.20
3. Set of power supply capacitors	£2.20	£2.50	11. Set of cables, mains lead	£0.40	£0.40
4. Set of miscellaneous parts	£3.50	£3.50	12. Handbook	£0.25	£0.25
5. Set of slide, mains, P.B. switches	£1.50	£1.50	13. Teak cabinet 15.4" x 6.7" x 2.8"	£4.50	£4.50
6. Set of pots., selector switch	£2.80	£2.80			
7. Set of semiconductors, ICs, skts.	£7.25	£7.75			
8. Toroidal transformer—240V prim. e.s. screen	£5.60	£7.20			

One each of Pack 1-13 are required for complete stereo amplifier. Total cost of individually purchased packs T20+20 £40.90, T30+30 £45.60.

SPECIAL PRICES FOR COMPLETE KITS

T20+20 KIT PRICE **£33.10** T30+30 KIT PRICE **£38.40**

WWII TUNER

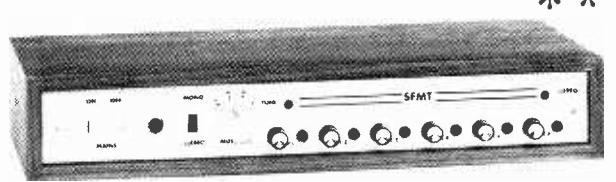


Following the success of our **Wireless World FM Tuner Kit** this cost reduced model was designed to complement the **T20+20** and **T30+30** amplifiers and the cabinet size, front panel format and electrical characteristics make this tuner compatible with either. The frequency meter of the more advanced model has been omitted and the mechanics simplified, however the circuitry is identical and this kit offers most outstanding value for money. Facilities included are switchable afc, adjustable, switchable muting, LED tuning indication and both continuous and push-button channel selection (readily adjusted by controls on the front panel).

SPECIAL PRICE FOR COMPLETE KIT £47.70

AVAILABLE AS SEPARATE PACKS — PRICES IN OUR FREE CATALOGUE

POWERTRAN SFMT TUNER



The requirement was a simple, low cost design which could be constructed easily without special alignment equipment but which still gives a first class output suitable for feeding any of our very popular amplifiers or any other high quality audio equipment. Not finding a suitable published circuit, the requirement was met by design and development work in our own laboratories and this tuner, which uses a pre-aligned front end module can be set up with the aid of nothing more sophisticated than a multi-meter. A phase-locked-loop is used for stereo decoding and controls include switchable afc, switchable muting and push-button channel selection (adjustable by controls on the front panel). This unit matches well with the T20+20 and T30+30 amplifiers.

PRICE FOR COMPLETE KIT £35.90

AVAILABLE AS COMPLETE KIT ONLY

Wireless World Amplifier Designs. Full kits are not available for these projects but component packs and PCBs are stocked for the highly regarded Bailey and 20W class AB Linsley Hood designs together with an efficient regulated power supply of our own design. Suitable for driving these amplifiers is the Bailey Burrows pre amplifier and our circuit board for the stereo version of it features 6 inputs, scratch and humble filters and wide range tone controls, which may be either rotary or slider operating. For tape systems a set of three PCBs have been prepared for the integrated circuit based, high performance stereo Stuart design. Details of component packs are in our free Catalogue.

30W Bailey Amplifier	
BAIL Pk 1 F/Glass PCB	£1.00
BAIL Pk 2 Resistor/Capacitors/Potentiometer set	£2.35
BAIL Pk 3 Semiconductor set	£4.70
20W Linsley Hood Class AB	
LHAB Pk 1 F/Glass PCB	£1.05
LHAB Pk 2 Resistor/Capacitor/Potentiometer set	£3.20
LHAB Pk 3 Semiconductor set	£3.35
Regulator Power Supply	
60VS Pk 1 F/Glass PCB	£0.85
60VS Pk 2 Resistor/Capacitor set	£2.20
60VS Pk 3 Semiconductor set	£3.10
60VS Pk 6A Toroidal transformer (for use with Bailey)	£6.50
60VS Pk 6B Toroidal transformer (for use with 20W LH)	£7.25
Bailey Burrows Stereo Pre Amp	
BBPA Pk 1 F/Glass PCB (stereo)	£2.80
BBPA Pk 2 Resistor/Capacitor/Semiconductor set (stereo)	£6.70
BBPA Pk 3R Rotary Potentiometer set (stereo)	£2.85
BBPA Pk 3S Slider Potentiometer set with knobs (stereo)	£3.10
Stuart Tape Recorder	
TRRP Pk 1 Replay Amp F/Glass PCB (stereo)	£1.30
TRRC Pk 1 Record Amp F/Glass PCB (stereo)	£1.70
TROS Pk 1 Bias Erase/Stabilizer F/Glass PCB (stereo)	£1.20

SQ QUADRAPHONIC DECODERS

These state-of-the-art circuits described by CBS are offered as kits of superior quality with close tolerance capacitors, metal oxide resistors and Fibreglass PCBs designed for edge connector insertion. Further information on these kits is given in our FREE CATALOGUE.

M1 Basic matrix decoder £5.90
 L1 Full logic decoder £17.20
 L2A Full logic decoder with variable blend £22.60
 L3A As L2A but with high performance discrete component front end for with carbon film resistors £25.90
 SQM1-30 Decoder complete with 30W rear channel amplifiers. Complete kit matches T30+30 amplifier £40.75

**Value Added Tax not included in prices
UK Carriage FREE**

PRICE STABILITY: Order with confidence! Irrespective of any price changes we will honour all prices in this advertisement until January 1st, 1978, if this month's advertisement is mentioned with your order. Errors and VAT rate changes excluded.

U.K. ORDERS: Subject to 12½% surcharge for VAT (i.e. add ½ to the price). No charge is made for carriage or at current rate if changed.

SECURICOR DELIVERY: For this optional service (U.K. mainland only) add £2.50 (VAT inclusive) per kit.

SALES COUNTER: If you prefer to collect your kit from the factory, call at Sales Counter (at rear of factory), Open 9 a.m.-4.30 p.m. Monday-Thursday.

SEMICONDUCTORS as used in our range of quality audio equipment

2N699	£0.20	BC107	£0.10	BF257	£0.40	MPSA05	£0.25	TIP30C	£0.60
2N3055	£0.45	BC108	£0.10	BF259	£0.47	MPSA12	£0.35	TIP41A	£0.70
2N3442	£1.20	BC109	£0.10	BFR39	£0.30	MPSA55	£0.25	TIP42A	£0.80
2N3711	£0.09	BC109C	£0.12	BFR79	£0.30	MPSA65	£0.35	TIP41B	£0.75
2N3904	£0.17	BC125	£0.15	BFY51	£0.20	MPSA66	£0.40	TIP42B	£0.90
2N3906	£0.20	BC126	£0.15	BFY52	£0.20	MPSU05	£0.50	1N914	£0.07
2N5087	£0.25	BC132	£0.10	A3046	£0.70	SBA750A	£1.90	1N916	£0.07
2N5089	£0.25	BC212	£0.12	M301AN	£0.55	SL301	£1.30	1S920	£0.10
2H5457	£0.45	BC182L	£0.10	LP1186	£6.50	SL3045	£1.20		
2N5459	£0.45	BC184L	£0.11	MC1310	£2.20	SN72741P	£0.40		
2N5460	£0.50	BC212L	£0.12	MC1351	£1.05	SN72748P	£0.40		
2N5461	£0.50	BC214L	£0.14	MC1741CG	£0.65	STR53	£2.40		
2N5830	£0.35	BCY72	£0.13	MFC4010	£0.95	TIL209	£0.20		
40361	£0.40	BD529	£0.65	MJ481	£1.20	TIP29A	£0.40		
40362	£0.45	BD530	£0.55	MJ491	£1.45	TIP30A	£0.45	FM4	£1.00
74004	£0.35	BDY56	£1.60	MJE521	£0.60	TIP29C	£0.55	SFJ10 7MA	£1.50

NEW PROJECTS

LINSLEY-HOOD LOW DISTORTION OSCILLATOR

A Wien bridge audio oscillator (10Hz-100KHz) with sine or square wave output (1mV-1V) published in Wireless World September, October 1977

Pack 1 Fibreglass PCB	£1.65
Pack 2 Capacitors, 2% metal oxide resistors	£2.60
Pack 3 Transistors, IC, IC socket, thermistor	£3.90
Pack 4 Potentiometers and switches	£2.80

ERIC F. TAYLOR PRE-AMPLIFIER

A low noise low distortion (0.005%) stereo pre amplifier for use with magnetic pick-up (RIAA equalization)

Pack 1 Fibreglass PCB (Stereo)	£1.45
Pack 2 Metal oxide resistors, capacitors (Stereo)	£3.20
Pack 3 Transistors, ICs, IC sockets, zeners (Stereo)	£4.20

For further details of these please ask for our NEW PROJECTS LIST

QUALITY: All components are brand new first grade full specification guaranteed devices. All resistors (except where stated as metal oxide) are low noise carbon film types. All printed circuit boards are fibreglass, drilled roller tinned and supplied with circuit diagrams and construction layouts.

AFTER-SALES BACK-UP: Servicing facilities (very rarely required for our kits) are available for all complete kits. Further details will be sent on request.

FOR FURTHER INFORMATION PLEASE WRITE OR TELEPHONE FOR OUR FREE CATALOGUE

DEPT WW12

POWERTRAN ELECTRONICS

PORTWAY INDUSTRIAL ESTATE
ANDOVER, HANTS SP10 3NN

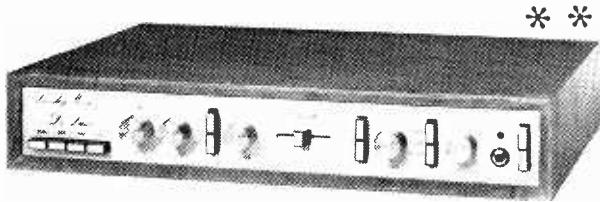
ANDOVER
64455

KENYA
HOLLAND
JAMAICA
UNITED ARAB EMIRATES
FALKLAND ISLANDS
PORTUGAL
GUYANA
INDIA
GREECE
JORDAN
AMERICA
YUGOSLAVIA
ISLAND

IRE
GRENADA
SAUDI ARABIA
NEW ZEALAND
NORWAY
SINGAPORE
ICELAND
SWEDEN
MALAYA
INDONESIA
BRAZIL
SWITZERLAND
ZAMBIA
GIBRALTAR
CHILE
SPAIN

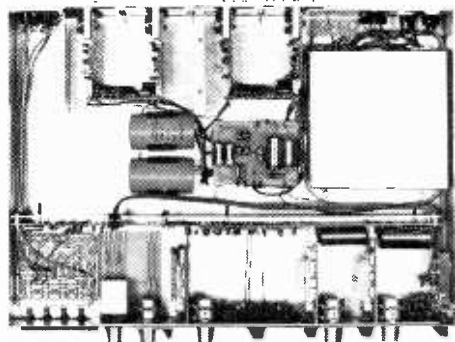
AUDIO KITS OF DISTINCTION FROM **POWERTRAN**

NEW! DE LUXE EASY TO BUILD LINSLEY-HOOD 75W AMPLIFIER



Available as
Separate Packs

Details in
Free Catalogue

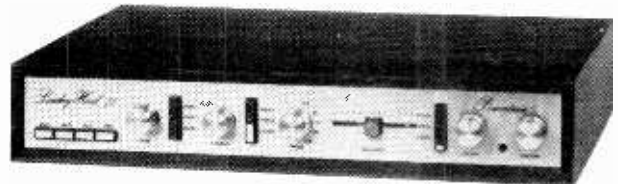


Internal view of De Luxe Kit

SPECIAL PRICE FOR COMPLETE KIT £99.30

The standard model of our kit for Mr Linsley Hood's 75 watt design has for a long time offered exceptional performance for a very modest cost (just look at prices for comparable high quality high power ready built units!) Features of the amplifier include very low distortion (less than 0.01%) 75W rms per channel power output rumble filter variable slope scratch filter variable transition frequency tone controls tape monitoring facilities and individually adjustable inputs This model is based on 5 circuit boards which not having the controls mounted on them can if desired be effectively used separately in high performance audio systems not based on our metalwork Our new De Luxe model uses 14 boards which interconnect with gold plated contacts and have the potentiometers and switches fitted to them There are 3 boards for each power amplifier 1 board for the power supply and 7 boards for the stereo pre-amplifier This system almost eliminates internal wiring making construction delightfully straightforward and as each board can be easily removed in seconds from the chassis checking and maintenance is so simple that even newcomers to electronics will be able to cope competently with the kit Additional features of our new model are inclusion of latest circuit improvements generously sized heatsinks for heavy duty use even in tropical climates and metal oxide resistors throughout for long term stability and reliability

STANDARD LINSLEY-HOOD 75W AMPLIFIER



SPECIAL PRICE FOR COMPLETE KIT £79.80

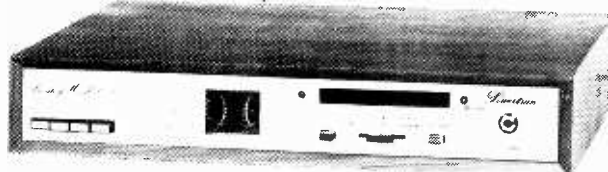
PACK PRICES FOR STANDARD KIT

Pack	Price
1. Fibreglass printed circuit board for power amp	£1.15
2. Set of resistors, capacitors, pre-sets for power amp	£2.50
3. Set of semiconductors for power amp	£6.50
4. Pair of 2 drilled, linned heat sinks	£1.10
5. Fibreglass printed-circuit board for pre-amp	£1.90
6. Set of low noise resistors, capacitors, pre-sets for pre-amp	£4.10
7. Set of low noise, high gain semiconductors for pre-amp	£2.40
8. Set of potentiometers (including mains switch)	£3.50
9. Set of 4 push-button switches, rotary mode switch	£5.40
10. Toroidal transformer complete with magnetic screen/ housing primary: 0 117-234 V; secondaries: 33-0-33 V, 25-0-25 V	£10.95

Pack	Price
11. Fibreglass printed-circuit board for power supply	£0.85
12. Set of resistors, capacitors, secondary fuses, semiconductors for power supply	£5.40
13. Set of miscellaneous parts including DIN skts., mains input skt., fuse holder, interconnecting cable, control knobs	£6.20
14. Set of metalwork parts including silk screen printed fascia panel and all brackets, fixing parts, etc.	£8.20
15. Handbook	£0.30
16. Teak cabinet 18.3" x 12.7" x 3.1"	£10.70

2 each of packs 1-7, 1 each of packs 8-16 inclusive are required for complete stereo amplifier. Total cost of individually purchased packs £90.80

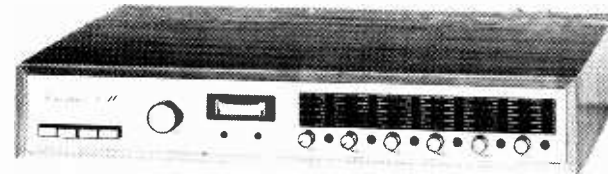
LINSLEY-HOOD CASSETTE DECK



SPECIAL PRICE FOR COMPLETE KIT £79.60

Published in Wireless World (May, June, August 1976) by Mr Linsley-Hood, this design, although straightforward and relatively low cost nevertheless provides a very high standard of performance To permit circuit optimization separate record and replay amplifiers are used the latter using a discrete component front end designed such that the noise level is below that of the tape background Push button switches are used to provide a choice of equalization time constants, a choice of bias levels, and also an option of using an additional pre-amplifier for microphone use The mechanism used is the Goldring-Lenco CRV, a unit distinguished in its robustness and ease of operation Speed control and automatic cassette ejection are both implemented by electronic circuitry This unit which is powered by a toroidal transformer and uses metal oxide resistors throughout offers an excellent match for the Wireless World Tuner and the Linsley-Hood 75 Watt Amplifier

WIRELESS WORLD FM TUNER



SPECIAL PRICE FOR COMPLETE KIT £70.20

Designed in response to demand for a tuner to complement the World-wide acclaimed Linsley-Hood 75W Amplifier this kit provides the perfect match The Wireless World (Skingley and Thompson) published original circuit has been developed further for inclusion into this outstanding slimline unit and features a pre-aligned front end module excellent a.m. rejection and temperature compensated varicap tuning, which may be controlled either continuously or by push button pre-selection Frequencies are indicated by a frequency meter and sliding LED indicators attached to each channel selector pre-set The PLL stereo decoder incorporates active filters for birdy suppression and power is supplied via a toroidal transformer and integrated regulator For long term stability metal oxide resistors are used throughout

Pack	Price
1. Stereo PCB (accommodates 2 rep. amps, 2 meter amps, bias/erase osc. relay)	£3.35
2. Stereo set of capacitors, M.D. resistors, potentiometers for above	£7.95
3. Stereo set of semiconductors for above	£8.50
4. Miniature relay with socket	£2.90
5. PCB, all components for solenoid, speed control circuits	£3.80
6. Goldring-Lenco mechanism as specified	£18.50
7. Function switch, knobs	£1.90
8. Dual VU meter with illuminating lamp	£6.95
9. Toroidal transformer with E.S. screen prim. 0-117V, 234V, Sec. 15V	£4.90

Pack	Price
10. Set of capacitors, rectifiers, I.C. voltage regulator for power supply (Powertran design)	£2.80
11. Set of miscellaneous parts, including sockets, fuse holder, fuses, interconnecting wire, etc	£3.40
12. Set of metalwork including silk screened fascia panel, internal screen, fixing parts, etc	£7.10
13. Construction notes	£0.25
14. Teak cabinet 18.3" x 12.7" x 3.1"	£10.70

One each of packs 1-14 inclusive are required for complete stereo cassette deck. Total cost of individually purchased packs £83.00

Pack	Price
1. Fibreglass printed board for front end IF strip, demodulator, AFC and mute circuits	£2.15
2. Set of metal oxide resistors, thermistor, capacitors, cermet preset for mounting on Pack 1	£4.80
3. Set of transistors, diodes, LED, integrated circuits for mounting on Pack 1	£5.25
4. Pre-aligned front end module, coil assembly, three section ceramic filter	£8.50
5. Fibreglass printed circuit board for stereo decoder	£1.10
6. Set of metal oxide resistors, capacitors, cermet preset for decoder	£2.60
7. Set of transistors LED, integrated circuit for decoder	£2.90
8. Set of components for channel selector switch module including fibreglass printed circuit board, push-button switches, knobs, LEDs, preset adjusters, etc.	£9.40
9. Function switch, 10 turn tuning potentiometer, knobs	£5.80

Pack	Price
10. Frequency meter, motor drive components, fibreglass printed circuit board	£10.35
11. Toroidal transformer with electrostatic screen, Primary: 0-117V 234V, secondary: 15V	£4.90
12. Set of capacitors, rectifiers, voltage regulator for power supply	£2.10
13. Set of miscellaneous parts, including sockets, fuse holder, fuses, inter-connecting wire, etc	£2.05
14. Set of metalwork parts including silk screen printed fascia panel, acrylic silk screen printed tuning indicator panel insert, internal screen, fixing parts, etc.	£8.30
15. Construction notes	£0.25
16. Teak cabinet 18.3" x 12.7" x 3.1"	£10.70

One each of packs 1-16 inclusive are required for complete stereo FM tuner. Total cost of individually purchased packs £81.15

EXPORT A SPECIALITY!

Our Export Department can readily despatch orders of any size to any country in the world Some of the countries to which we sent kits last year are shown in this advertisement To assist in estimating postal costs our catalogue gives the weights of all packs and kits This will be sent free on request, by airmail together with our 'Export Postal Guide' which gives current postage prices

EXPORT ORDERS: No minimum order charge! Prices same as for U.K. customers but no Value Added Tax charged. Postage charged at actual cost plus 50p documentation and handling. Please send payment with order by Bank Draft, Postal Order, International Money Order or cheque drawn on an account in the U.K. Alternatively for orders over £500 we will accept Irrevocable Letter of Credit payable at sight in London

OUR CATALOGUE IS FREE!

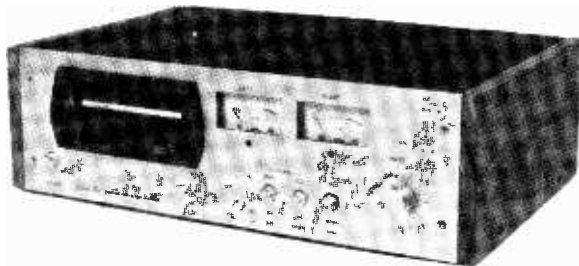
JUST SEND YOUR NAME AND ADDRESS TO RECEIVE YOURS

HART ELECTRONICS

The Only Firm for Quality Audio Kits

Are proud to offer the only
DESIGNER APPROVED kit for the

J. L. Linsley-Hood High Quality Cassette Recorder



As these circuits are capable of such an excellent performance we feel that it is not sensible to sacrifice this potential by designing a kit down to a price. We have therefore spent a little more on professional hardware allowing us to design a very advanced modular system. This enables a more satisfactory electrical layout to be achieved, particularly around the very critical input areas of the replay preamps. These are totally stable with this layout and require no extra stabilising components. Many other advantages also come from this system which has separate record and replay amps for each channel plugging in to a master board with gold-plated sockets. The most obvious is the reduction of crosstalk and interaction which could cause trouble on a single plane board, with our modular system the layout is compact but there is no component crowding. Testing is very easy with separate identical modules and building with the aid of our component-by-component instructions is childishly simple, but the finished result is a unit designed not to normal domestic standards but to the best professional practice.

All printed circuits are of glassfibre material, fully drilled with a tinned finish for easy and reliable soldering. Component locations are printed on the reverse side of the board and are arranged so that all identification numbers are still visible after assembly.

- 71x Complete set of parts for Master Board, includes bias oscillator, relay, controls, etc £9 83 + £1 23 VAT
- 72x Parts for Motor Speed and Solenoid Control for Lenco CRV deck. This is the proper board layout as given in the articles £3 52 + 44p VAT
- 73x Complete set of parts for stereo Replay Amps, and VU Meter drive £8 12 + £1 02 VAT
- 74x Complete set for stereo Record Amps £6 74 + 84p VAT
- 75x Complete set of parts for Stabilised Power Supply to circuit given in Article. This uses a special low hum field transformer with better characteristics than the commonly used toroid £8 79 + £1 10 VAT

700M2 Individual High Quality VU Meters with excellent ballistics £8 48 + £1 06 VAT Per Pair

700C/2 High Quality Custom built steel Case Complete with Brushed aluminium front plate, mains switch, record microswitch, turned record level knob, plastic cabinet feet, all bolts, nuts and mounting hardware. All necessary holes are punched and all surfaces are electroplated. Complete step-by-step assembly instructions are included. The cover is finished in an attractive black crackle surface. £16 50 + £2 06 VAT

LENCO CRV CASSETTE MECHANISM

High Quality, robust cassette transport for Linsley-Hood recorder. Features fast forward, fast rewind, record, pause and full auto stop and cassette ejection facilities. Fitted with Record / play and erase heads and supplied complete with Data and extra cassette ejection spring for above horizontal use. Price £21 60 + £2 70 VAT

Total cost of all parts £83 58

Special offer for Complete Kits £81 50 + £10 19 VAT

Optional extra solid teak end cheeks, £3 pair + 38p VAT

Reprint of 3 Linsley-Hood Cassette Recorder articles. 45p post and VAT free.

We also supply complete kits to make a fully integrated 30 watt stereo amplifier using the Bailey Power Amplifier circuit and the Bailey / Burrows Pre-amplifier with the Quilter Tone control modification.

Printed circuits and components are available for the Stuart tape circuits. These articles described a high quality tape link circuit for use with a reel-to-reel deck. Reprints of the three articles are available from us price 40p. Post Free (No VAT).

ALL PARTS ARE POST FREE

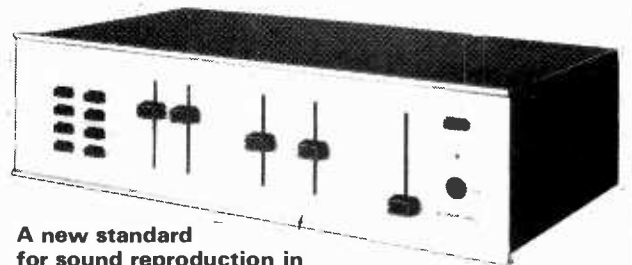
Please send 9 x 4 SAE for lists giving fuller details and Price breakdowns

Penylan Mill, Oswestry, Salop

Personal callers are always welcome
but please note we are closed all day Saturday

RADFORD HD250

High Definition Stereo Amplifier



A new standard for sound reproduction in the home! We believe that no other amplifier in the world can match the overall specification of the HD250.

Rated power output: 50 watts av. continuous per channel into any impedance from 4 to 8 ohms, both channels driven.

Maximum power output: 90 watts av. per channel into 5 ohms.

Distortion, preamplifier: Virtually zero (cannot be identified or measured as it is below inherent circuit noise.)

Distortion, power amplifier: Typically 0.006% at 25 watts, less than 0.02% at rated output (Typically 0.01% at 1 KHz)

Hum and noise: Disc.—83dBV measured flat with noise band width 23 KHz (ref 5mV); —88dBV "A" weighted (ref. 5mV)

Line —85 dBV measured flat (ref 100v)
—88dBV "A" weighted (ref 100v)

Hear the HD250 at

SWIFT OF WILMSLOW

Dept. WW, 5 Swan Street, Wilmslow, Cheshire
(Tel: 26213)

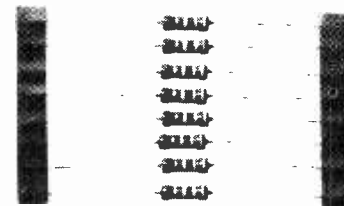
Mail Order and Personal Export enquiries: Wilmslow Audio, Swan Works, Bank Square, Wilmslow (Tel. 29599)

Now available ZD100 power amplifier and ZD22 pre-amplifier

WW—050 FOR FURTHER DETAILS

carbon film RESISTORS

ON BANDOLIERS OR PREFORMED 12.5mm
AT NO EXTRA COST



Z & I

AERO SERVICES LTD.

41A Westbourne Grove
London W2 5SF
Tel. 01-727 5641 Telex 261306

WW—077 FOR FURTHER DETAILS



Audio Connectors

Broadcast pattern jackfields, jackcords, plugs and jacks

Quick disconnect microphone connectors
Amphenol (Tuchel) miniature connectors with coupling nut.

mirschmann Banana plugs and test probes
XLR compatible in-line attenuators and reversers.

Low cost slider faders by Ruf.

Future Film Developments Ltd.
36-38 Lexington Street
London W1R 3HR
01-437 1892/3

WW—072 FOR FURTHER DETAILS

15 — 240 Watts!

HY5 Pre-amplifier

The HY5 is a mono hybrid amplifier ideally suited for all applications. All common input functions (mag Cartridge tuner etc.) are catered for internally, the desired function is achieved either by a multi-way switch or direct connection to the appropriate pins. The internal volume and tone circuits merely require connecting to external potentiometers (not included). The HY5 is compatible with all I.L.P. power amplifiers and power supplies. To ease construction and mounting a P.C. connector is supplied with each pre-amplifier.

FEATURES: Complete pre-amplifier in single pack -- Multi-function equalization -- Low noise -- Low distortion -- High overload -- two simply combined for stereo

APPLICATIONS: Hi-Fi -- Mixers -- Disco -- Guitar and Organ -- Public address

SPECIFICATIONS:

INPUTS: Magnetic Pick-up 3mV Ceramic Pick-up 30mV Tuner 100mV Microphone 10mV

Auxiliary 3-100mV input impedance 47k Ω at 1kHz

OUTPUTS: Tape 100mV Main output 500mV R.M.S.

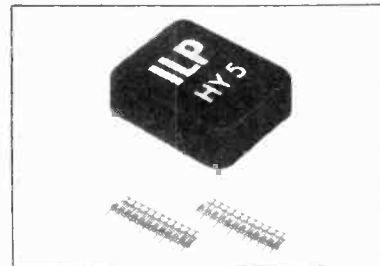
ACTIVE TONE CONTROLS: Treble - 12dB at 10kHz Bass + at 100Hz

DISTORTION 0.1% at 1kHz Signal/Noise Ratio 68dB

OVERLOAD 38dB on Magnetic Pick-up SUPPLY VOLTAGE - 16 50V

Price **£5.22 + 65p VAT P&P free**

HY5 mounting board B1 48p + 6p VAT P&P free.



HY30 15 Watts into 8 Ω

The HY30 is an exciting New kit from I.L.P. it features a virtually indestructible I.C. with short circuit and thermal protection. The kit consists of I.C. heatsink, P.C. board, 4 resistors, 6 capacitors, mounting kit, together with easy to follow construction and operating instructions. This amplifier is ideally suited to the beginner in audio who wishes to use the most up-to-date technology available.

FEATURES: Complete kit -- Low Distortion -- Short, Open and Thermal Protection -- Easy to Build

APPLICATIONS:

Updating audio equipment -- Guitar practice amplifier -- Test amplifier -- Audio oscillator

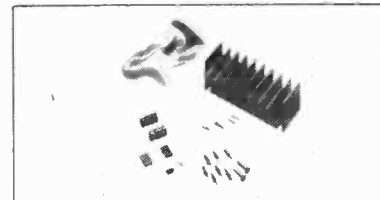
SPECIFICATIONS:

OUTPUT POWER 15W R.M.S. into 8 Ω DISTORTION 0.1% at 15W

INPUT SENSITIVITY 500mV FREQUENCY RESPONSE 10Hz-16kHz -- 3dB

SUPPLY VOLTAGE - 18V

Price **£5.22 + 65p VAT P&P free.**



HY50 25 Watts into 8 Ω

The HY50 leads I.L.P.'s total integration approach to power amplifier design. The amplifier features an integral heatsink together with the simplicity of no external components. During the past three years the amplifier has been refined to the extent that it must be one of the most reliable and robust High Fidelity modules in the World.

FEATURES: Low Distortion -- Integral Heatsink -- Only five connections -- 7 Amp output transistors -- No external components

APPLICATIONS: Medium Power Hi-Fi systems -- Low power disco -- Guitar amplifier

SPECIFICATIONS:

INPUT SENSITIVITY 500mV

OUTPUT POWER 25W RMS in 8 Ω LOAD IMPEDANCE 4-16 Ω DISTORTION 0.04% at 25W at 1kHz

SIGNAL/NOISE RATIO 75dB FREQUENCY RESPONSE 10Hz-45kHz -- 3dB

SUPPLY VOLTAGE - 25V SIZE 105 50 25mm

Price **£6.82 + 85p VAT P&P free**



HY120 60 Watts into 8 Ω

The HY120 is the baby of I.L.P.'s new high power range designed to meet the most exacting requirements including load line and thermal protection, this amplifier sets a new standard in modular design.

FEATURES: Very low distortion -- Integral Heatsink -- Load line protection -- Thermal protection -- Five connections -- No external components

APPLICATIONS: Hi-Fi -- High quality disco -- Public address -- Monitor amplifier -- Guitar and organ

SPECIFICATIONS:

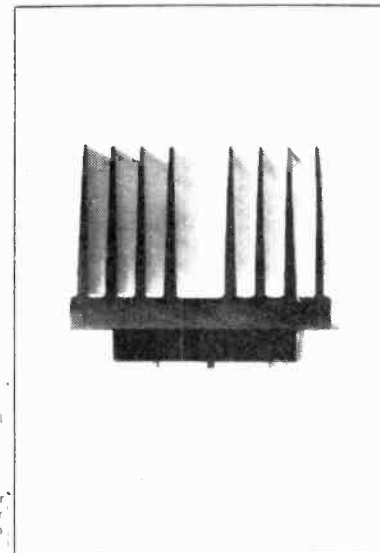
INPUT SENSITIVITY 500mV

OUTPUT POWER 60W RMS into 8 Ω LOAD IMPEDANCE 4-16 Ω DISTORTION 0.04% at 60W at 1 kHz

SIGNAL/NOISE RATIO 90dB FREQUENCY RESPONSE 10Hz-45kHz --3dB SUPPLY VOLTAGE - 35V

Size 114 x 50 x 85mm

Price **£15.84 + £1.27 VAT P&P free.**



HY200 120 Watts into 8 Ω

The HY200, now improved to give an output of 120 Watts, has been designed to stand the most rugged conditions, such as disco or group while still retaining true Hi-Fi performance.

FEATURES: Thermal shutdown -- Very low distortion -- Load line protection -- Integral Heatsink -- No external components

APPLICATIONS: Hi-Fi -- Disco -- Monitor -- Power Slave -- Industrial -- Public address

SPECIFICATIONS:

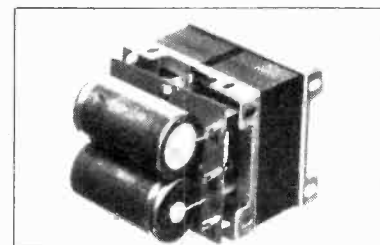
INPUT SENSITIVITY 500mV

OUTPUT POWER 120W RMS into 8 Ω LOAD IMPEDANCE 4-16 Ω DISTORTION 0.05% at 100W at 1kHz

SIGNAL/NOISE RATIO 96dB FREQUENCY RESPONSE 10Hz-45kHz -- 3dB SUPPLY VOLTAGE - 45V

SIZE 114 x 100 x 85mm

Price **£23.32 + £1.87 VAT P&P free.**



HY400 240 Watts into 4 Ω

The HY400 is I.L.P.'s "Big Daddy" of the range producing 240W into 4 Ω ! It has been designed for high power disco or public address applications. If the amplifier is to be used at continuous high power levels, a cooling fan is recommended. The amplifier includes all the qualities of the rest of the family to lead the market as a true high power hi-fidelity power module.

FEATURES: Thermal shutdown -- Very low distortion -- Load line protection -- No external components

APPLICATIONS: Public address -- Disco -- Power slave -- Industrial

SPECIFICATIONS:

OUTPUT POWER 240W RMS into 4 Ω LOAD IMPEDANCE 4-16 Ω DISTORTION 0.1% at 240W at 1 kHz

SIGNAL/NOISE RATIO 94dB FREQUENCY RESPONSE 10Hz-45kHz -- 3dB SUPPLY VOLTAGE - 45V

INPUT SENSITIVITY 500mV SIZE 114 x 100 x 85mm

Price **£32.17 + £2.57 VAT P&P free.**

POWER SUPPLIES

PSU36 suitable for two HY30's **£5.22** plus 65p VAT P. P. free
 PSU50 suitable for two HY50's **£6.82** plus 85p VAT P. P. free
 PSU70 suitable for 2 HY120's **£13.75** plus £1.10 VAT P. P. free
 PSU90 suitable for one HY200 **£12.65** plus £1.01 VAT P. P. free
 PSU180 suitable for two HY200's or one HY400 **£23.10** plus £1.85 VAT P. P. free
 B1 48p plus 6p VAT P. P. free.

TWO YEARS' GUARANTEE ON ALL OF OUR PRODUCTS

I.L.P. Electronics Ltd
 Crossland House
 Nackington, Canterbury
 Kent CT4 7AD
 Tel (0227) 63218

Please Supply _____
 Total Purchase Price _____
 I Enclose Cheque Postal Orders Money Order
 Please debit my Access account Barclaycard account
 Account number _____
 Name & Address _____
 Signature _____

WW-055 FOR FURTHER DETAILS

TRANSISTORISED 3cm RADAR AMPLIFIER SWITCH: with 24v waveguide switch, .9 x 4 cm ins. with crystal CV.2355 and spark gap VX.1046. **£16.20 + £1.00 post.**

TRANSISTORISED VIDEO INDICATOR (used with above amplifier): 1½" C.R.T. **£10.80 + £1.00 post.**

RADAR RECEIVING ANTENNA TYPE X443 Mk. D: Suitable for detecting signals on X, K, J and Q bands. 9gHz-60gHz. Complete with waveguide horns, associated crystals. Transistorised amplifier and geared motor, etc. **£135.00, carr. approx. £5.00.**

VACUUM & PRESSURE SEAL TEST EQUIPMENT: Complete with 3 x 4" gauges indicating 0-20lbs p.s.i., 0-30lbs vacuum. With stand, hand pump, etc. **£32.40 + £3.00 carr.**

INSULATION TEST SET 0 to 10 KV, negative earth, with Ionisation Amplifier, 100/230 Volts. AC **£45.90, carr. £3.00.**

UNISELECTORS: Reversible action. Twin coils 120Ω 25-way 6-bank. **£4.90 + 75p post.**

FAMOUS 1154 TRANSMITTER as used in Lancasters in World War II (collector's item). **£12.50, carr. £4.00.**

RACAL RA-17 RECEIVER 500kHz-30MHz, s/hand, good condition, **£365.00** (including VAT 12½%).

EVERSHED SAFETY OHM METER: Max 10mA. Test pressure 30v. Complete in leather case. **£27.00, post £1.00.**

AVO TRANSISTOR ANALYSER CT.446: **£37.80, carr. £2.20.**

MARCONI FREQUENCY METER 1026/4: 2000-4000mHz 'as new' condition. **£32.40** or secondhand condition **£24.30.**

1026/2: 100-160mHz £32.40 'as new' or s/hand **£24.30.** Carriage for all type **£2.00.**

ANTENNA MAST 36ft: Aluminium, diameter at base 3", tapering to 2" at top, complete with red hazard lights, stays, guys, etc. Normally used with direction finding equipment. Approx. weight 3cwt. **£106.90** (including 12½% VAT), carriage rates on request. With rotating Antenna suitable for 200-400mHz **£16.90** extra (including 12½% VAT).

BURGLAR ALARM BELL: 6-8v. d.c. **£3.24 + £1.00 post.**

MEGGER (Record): 500 volts **£21.60** £1.00 post.

MUIRHEAD ATTENUATORS: 75 ohms 0-8Mc/s 3V MAK 3 ranges 0-5, 0-25, 0-50dB. **£3.24 + 75p post.**

REDIFON TELEPRINTER RELAY UNIT NO. 12: ZA-41196 and power supply 200-250v. a.c. Polarised relay type 3SEITR 80-0-80v. 25mA. Two stabilised valves CV.286 Centre Zero Meter 10-0-10. Size 8" x 8" x 8". New condition. **£10.80, carr. £2.50.**

SOLARTRON PULSE GENERATOR TYPE G1101-2: **£81.00, carr. £2.50.**

TELEPRINTER TYPE 7B: Pageprinter 24v. d.c. power supply, speed 50 bauds per min. S/hand cond. (excellent), no parts broken **£21.60, carriage £3.50.**

AUTO TRANSFORMER: 230v. 50c/s, 1000 watts. Mounted in strong steel case

CRYSTAL TEST SET TYPE 193: Used for checking crystals in freq. range 3,000-10,000kHz. Mains 230v 50hz. Measures crystal current under oscillatory conditions and the equivalent resistance. Crystal freq. can be tested in conjunction with a freq. meter. **£27.00, carr. £2.00.**

CATHODE RAY TUBES: 5" screen, tube CV-1536 **£4.32 + £1.00 post.** Type 95J20 square face 5" x 3" **£8.10 + £1.00 post.**

WEATHERPLOTTER RECEIVING SET AN/GM-5: Facsimile reproducing system for weather maps. Further details on request, **£459.00** (inc. 8% VAT).

CLASS 'D' WAVEMETER NO. 1: Crystal controlled heterodyne frequency meter covering 2-8MHz. Power supply 6v. d.c. Good s/hand cond. **£9.20 + £2.00 carr.**

RING TOROIDAL DUST CORES: Size 2¼" outside, 1¼" inside, 5/16" thick. Box of two **£1.10 + 30p post.**

ROTARY INVERTERS TYPE PE-218E: Input 24-28v. d.c. 80 amps, 4,800rpm. Output 115v. a.c. 13 amp 400 c/s. 1Ph. P.F.9 **£21.60 + £3.00 carr.**

FREQUENCY METER BC-221: 125-20,000kc/s complete with original calibration charts. Checked out, working order. **£22.70 + £2.00 carr.**

RECTIFIER UNIT: 200-250v. a.c. input, 24v. d.c. at 26 amps output continuous rating. **£37.80, carr. £5.00.**

PAPER TAPE: ½" roll (teleprinters, etc.) Box of ten rolls **£1.50 + £1.00 post.**

CREED TELEPRINTER TABLE: **£25.00 + £5 carr.**

KAY MARKER SWEEP OSCILLATOR 154C: 50kHz-110mHz 50 ohms impedance. Sweep rate 0.01-1000Hz variable. Meter indicates 1v. rmf. Crystal Pulse markers 2, 5, 10, 15, 20, 40, 60 and 80mHz. **£135.00 carr. £3.50.**

ATTENUATOR UNITS STC: Impedance 75 ohms. Two different types: (A) Push button 0-0.9 decibels in steps of 0.1dB and (B) Push button 0-90 decibels in steps of 10dB. Both types price **£5.40, post 70p.**

MARCONI SIGNAL GENERATOR 801/DS: 10-480mHz. **£318.60.**

BARGAIN MAPS
Large stocks of unused U.S.A.F. surplus maps, weather charts, etc. including:—

ONC-E1 — U.K. in full and part N.W. Europe. Scale 1:1,000,000.
JNC-9N — N. Europe, U.K., Scandinavia. Scale 1:2,000,000.
JN-21N — Europe (Mediterranean). Scale 1:2,000,000.
SIZE: 58" x 42", colour. Many others. Please send S.A.E. for list.
Price each 70p (inc. p+p)

25 x Maps (either same type OR assorted) **£10.00 + £1.00 p+p**
10 x Maps (either same type OR assorted) **£6.00 (inc p+p)**

Above prices include VAT at 8% [except where stated]
Carriage quotes given are for 50-mile radius of Herts.

Visit our new shop in Ware High Street (old A10) opposite Church. 100s of individual bargains for callers. If you wish to collect any of the above items please telephone prior to calling to avoid disappointment.

W. MILLS 3 & 3a BALDOCK STREET, WARE, HERTS. SG12 9DT WARE 66312 (STD 0920)

£100 off
this super Hi-Fi system the
MATSI TFS60



from the
Lion House
BUDGET HI-FI DEPARTMENT

You can now purchase this fantastic Hi-Fi system complete for only **£147.95** at what must be a fraction of its value today. System consists of:- the famous MATSI TFS60 Tuner/AMP; a really top quality receiver from one of Japan's leading manufacturers, 15 watts per channel FM/MW/LW, two NAD 6 speakers fitted with AR units and a Goldring belt-drive turntable with magnetic cartridge complete with an attractive plinth & cover of ultra modern design. Leads etc supplied free.

LION PRICE: Complete MATSI System £147.95
or purchased individually:
TF60 Receiver: £69.90. NAD6 Twin Speakers £55.
Goldring Turntable (cartridge Plinth & Cover) £29.95.

Leading suppliers of TELEVISIONS, RADIOS, TAPE RECORDERS, BUDGET HI-FI, CASSETTE RECORDERS, SPEAKERS, AMPLIFIERS, TUNER/AMPS, VIDEO and MUSIC CENTRES and ACCESSORIES, EXPORT TELEVISIONS and MUSICAL INSTRUMENTS. ALL AT KEEN PRICES



Lion House
Stockist for the world's major Hi-Fi manufacturers
LONDON HI-FI SUPERSTORE
227 TOTTENHAM COURT ROAD, LONDON W1
Tel: 01 580 7383 and 01 637 1601
Telex: 28394 LION G
Open 9am to 6pm Monday to Saturday (Thursday until 7pm)

NEW COMPONENTS

Resistors 5% carbon E12 1Ω to 10M ¼W 1½p. 1W 3p. Preset pots sub-miniature 0.1WE3 100Ω to 4M7 vertical 9p, horizontal 9p. Potentiometers 0.25W E3 4K7 to 2M2 log or lin single 30p. dual 95p. Polystyrene capacitors E12 63V 22pf to 8200pf 3½p. Ceramic capacitors vert 50V E6 22pf to 4700pf 3p. Polyester capacitors 250V E6 01 to 1mf 5½p, .15. 22 7p, 47mf 11p. Electrolytics 50V 47. 1. 2mf 5p, 25V 5. 10mf 5p, 16V 22. 47mf 6p, 100mf 7p. 220 mf 9p, 470mf 11p, 1000mf 18p. Zener diodes 400mw E24 3V3 to 33V 8½p.

MAINS TRANSFORMERS

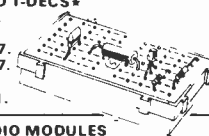
6.0-6V 100mA 94p. 9.0-9V 75mA 94p. 12.0-12V 50mA 94p.
0/12/15/20/24/30V 1A **£3.85.**
0/12/15/20/24/30V 2A **£5.15.** 6.0-6V 1½A **£2.75.** 9.0-9V 1A **£2.39.** 12.0-12V 1A **£2.69.** 15.0-15V 1A **£2.89.** 30.0-30V 1A **£3.59.**

PRINTED CIRCUIT MATERIALS

50 sq ins pcb 40p 1lb FeC **£1.05.**
Etch resist pens: Economy type **45p.**
Dalo type **83p.** Small drill bit **20p.**
Laminate cutter **75p.** Etching dish **68p.**

S-DECS AND T-DECS*

S-DeC **£1.94.**
T-DeC **£3.61.**
u-DeCA **£3.97.**
u-DeCB **£6.67.**
16 dil IC carriers **£1.91.**



BI-PAK AUDIO MODULES

S450 Tuner **£21.95.** AL60 **£4.86.**
PA100 **£14.95.** MK60 audio kit **£36.45.**
Stereo 30 **£17.95.** SPM80 **£3.75.**
BMT80 **£4.25.**

SINCLAIR CALCULATORS*

Cambridge Scientific programmable calculator **£13.95.** Prog library **£4.95.**
Mains adaptor **£3.20.** Cambridge Scientific **£8.95.**

FERRANTI ZN414

IC radio chip **£1.44.** Extra parts and pcb for radio **£3.85.** Case **£1.** SAE for data

TV GAMES IN FULL COLOUR

AY-3-8500 **£6.95.** Black and white TV games kits Standard model **£11.95.** Economy model **£6.95.** Colour TV games kits Standard model **£19.45.** Economy model **£14.95.** Colour Generator kit, adds colour to most black and white games **£7.50.** Rifle kit **£4.95.** Send SAE for giant, free data leaflet

BATTERY ELIMINATOR BARGAINS 3-WAY MODELS

Switched 6 7/8 9V 300mA **£2.99.**

100MA RADIO MODELS

With press-stud connectors. 9V **£3.45.** 6V **£3.45.** 9+9V **£5.15.** 4½+4½V **£5.15.** 6+6V **£5.15.**

150MA CASSETTE MODELS

7½V with 5-pin din plug **£3.65.**

FULLY STABILIZED MODEL £6.40

Switched 3 6/7 9V 400mA

BATTERY ELIMINATOR KITS


100mA radio types with press stud battery terminals 4½V **£2.10.** 6V **£2.10.** 9V **£2.10.** 4½V+4½V **£2.50.** 6V+6V **£2.50.** 9V+9V **£2.50.**

Stabilised 8-way types transistor stabilized to give low hum 3/4 ½ 6/7 ½ 9/12 15/18V 100mA model **£3.20.** 1 Amp model **£6.40.**

Heavy duty 13-way types 4½ / 6 / 7 / 8½ / 11 / 13 / 14 / 17 / 21 / 25 / 28 / 34 / 42V 1A **£4.85.** 2A **£7.95.**

Car Converter kit Input 12V DC Output 6 7/8 9V 1A regulated **£1.95.**

Stabilised power kits 3-18V 100mA **£3.60.** 3-30V 1A **£9.95.** 3-60V 1A **£10.95.** 3-60V 2A **£13.95.**



JC12, JC20, JC40 AMPLIFIERS

JC12 6W IC audio amp with pcb **£1.95.** Also new JC40 20W Model with pcb **£3.95.**
JC20 10W integrated circuit amp with pcb **£2.95.**
Send sae for free data on all three models, and associated power and pre-amp kits

SWANLEY ELECTRONICS
DEPT WW, PO BOX 68, 32 GOLDSER RD. SWANLEY, KENT BR8 8TQ
Mail order only No callers Send sae for free data on kits Post and packing 30p Prices include VAT Official orders welcome Overseas customers deduct 7% VAT on items marked and 11% on others


U.K. RETURN OF POST MAIL ORDER SERVICE, A LSO WORLDWIDE EXPORT SERVICE

BSR HI-FI AUTOCHANGER STEREO AND MONO £17.50 Post 75p

Plays 12", 10" or 7" records. Auto or Manual. A high quality unit backed by BSR reliability with 12 months guarantee. A.C. 200/250V. Size 13 1/2" x 11 1/4". 3 speeds. Above motor board 3 1/2". Below motor board 2 1/2". with STEREO and MONO CARTRIDGE. B.S.R. SINGLE PLAYER similar to above with stereo cartridge and cueing device. large turntable £13.50
B.S.R. P128 with magnetic cartridge. Balanced arm. Cueing device. Bias Compensator. £24.50. Post £1

PORTABLE PLAYER CABINET

Modern design. Rexine covered. Vynair front grille. Chrome fittings. Size 17 x 15 x 8in. approx. £4.50 Post 75p
 Motor board cut for BSR or Garrard deck



HEAVY METAL PLINTHS £6.50 Post £1 50

With P.V.C. Cover. Cut out for most B.S.R. or Garrard decks. Silver grey finish
 Model "A" Size 12 1/2 x 14 3/4 x 7 1/2 £7.50
 Model "B" Size 16 x 13 3/4 x 7 in
 Extra large plinth & cover. teak wood base. Size 20 1/2" x 17 1/2" x 9" £19.50. Callers only

COMPLETE STEREO SYSTEM

Two full size loudspeakers 13 3/4 x 10 x 3 3/4in. Player unit clips to loudspeakers making it extremely compact. overall size only 13 3/4 x 10 x 8 1/2in. 3 watts per channel. plays all records 33 r.p.m. 45 r.p.m. Separate volume and tone controls. Attractive Teak finish. 240V a.c. mains. £22.50 £1 carriage


ELAC HI-FI SPEAKER 8in. TWIN CONE

Dual cone plastic roll surround. Large ceramic magnet. 50-16,000 c/s. Bass resonance 40 c/s. 8 ohm impedance. 15 watts RMS. £5.95 Post 35p



SMITH'S CLOCKWORK 15 AMP TIME SWITCH

0-6 HOURS £3.30 Post 35p
 Single pole two-way. Surface mounting with fixing screws. Will replace existing wall switch to give light for return home garage, automatic anti-burglar lights, etc. Variable knob. Turn on or off at full or intermediate settings. Brand new and fully guaranteed



TEAKWOOD LOUSPEAKER GRILLES will easily fit to baffle board. Size 10 1/2 x 7 1/2in—45p.

R.C.S. "MINOR" 10 watt AMPLIFIER KIT

This kit is suitable for record players, guitars, tape playback electronic instruments or small P.A. systems. Two versions available Mono, £11.25; Stereo, £18. Post 45p Specification 10W per channel, input 100mV; size 9 1/2 x 3 x 2in approx. S.A.E. details. Full instructions supplied. A.C. mains powered

VOLUME CONTROLS

5kΩ to 2MΩ LOG or LIN L/S 35p. D.P. 60p. STEREO L/S 85p. D.P. £1. Edge 5K S/P Transistor 45p.

80 Ohm Coax 8p yd.


FRINGE LOW LOSS 15p yd. Ideal 625 and colour PLUGS 10p. SOCKETS 10p. LINE SOCKETS 18p. OUTLET BOXES 50p.

ELAC 9 x 5in HI-FI SPEAKER TYPE 59M £3.45 Post 35p

This famous unit now available 10 watts 8 ohm

E.M.I. 13 1/2 x 8in. SPEAKER SALE!

With tweeter and crossover 10 watt 3 ohm £7.95 Post 45p
 Ditto 15 watts 8 ohm £10.50 Post 65p



With tweeter and crossover 20 watt Bass res. 25 c.p.s. Flux = 11,000 gauss 8 or 15 ohm 20 to 20,000 c.p.s. £11.50 Post 75p

Bookshelf Cabinet Teak finish. For EMI 13 x 8 speakers £8.50 Post £1 00

THE "INSTANT" BULK TAPE ERASER AND HEAD DEMAGNETISER

Suitable for cassettes, and all sizes of tape reels. A.C. mains 200/250V. Leaflet S.A.E. Will also demagnetise small tools. £4.95 Post 50p



BLANK ALUMINIUM CHASSIS, 6 x 4—70p; 8 x 6—90p. 10 x 7—£1.15; 12 x 8—£1.35; 14 x 9—£1.50; 16 x 6—£1.45; 16 x 10—£1.70. **ANGLE ALI**, 6 x 3 1/4 x 3 1/4in.—15p.

ALUMINIUM PANELS, 6 x 4—17p; 8 x 6—24p; 14 x 3—25p; 10 x 7—35p; 12 x 8—43p; 12 x 8—30p; 16 x 6—43p; 14 x 9—52p; 12 x 12—68p; 16 x 10—75p.

MANY ALI BOXES IN STOCK. MANY SIZES
VARIPAC FM TUNER HEAD with circuit & connections £4.95.
TAG STRIP 28-way 12p.
TAPE OSCILLATOR COIL, Valve type 35p.
BRIDGE RECTIFIER 200V PIV 1/2 amp 50p.
TOGGLE SWITCHES S.P. 30p. D.P.S.T. 40p. D.P.D.T. 50p.
MANY OTHER TOGGLES IN STOCK
PICK-UP CARTRIDGES ACOS GP91 £1.50. GP93 £2.50. SONOTONE SHURE £2.00. SHURE M75 ECS £8.
WIRE-WOUND RESISTORS 5 watt, 10 watt, 15 watt 10 ohms to 50K 12p each

R.C.S. SOUND TO LIGHT KIT £14 Post 35p

Kit of parts to build a 3 channel sound to light unit 1,000 watts per channel. Easy to build. Full instructions supplied. Cabinet £3.

R.C.S. LOW VOLTAGE STABILISED POWER PACK KITS £2.95 Post 45p

All parts and instructions with Zener diode. printed circuit rectifiers and double wound mains transformer. Input 200/240V a.c. Output voltages available, 6 or 7.5 or 9 or 12V d.c. up to 100mA or less. Size 3 x 2 1/2 x 1 1/2in. Please state voltage required

R.C.S. POWER PACK KIT £3.35 Post 30p

12 VOLT, 750mA. Complete with printed circuit board and assembly instructions
 12 VOLT 300mA KIT. £3.15. 9 VOLT 1 AMP KIT. £3.35.

R.C.S. GENERAL PURPOSE TRANSISTOR PRE-AMPLIFIER — BRITISH MADE

Ideal for Mike, Tape, P.U., Guitar, etc. Can be used with battery 9-12V or H.T. line 200-300V d.c. operation. Size 1 3/4 x 1 1/4 x 3/4in. Response 25 c/s to 25 kc/s. 26 dB gain. For use with valve or transistor equipment. Full instructions supplied. Details S.A.E. £1.45 Post 30p

RCS DRILL SPEED CONTROLLER/LIGHT DIMMER KIT. £3.25 Post 35p

Easy to build kit. Will control up to 500 watts A.C. mains

RCS STEREO PRE-AMP KIT. £2.95 Post 35p

All parts to build this pre-amp. Inputs for high, medium or low imp. per channel, with volume control and P.C. Board. Can be ganged to make multi-way mixers

MAINS TRANSFORMERS ALL POST 50p

250-0-250V 70mA, 6.5V, 2A £3.45
 250-0-250V 80mA, 6.3V, 3.5A, 6.3V, 1A or 5V 2A £4.80
 350-0-350V 80mA, 6.3V, 3.5A, 6.3V, 1A or 5V 2A £5.80
 300-0-300V 120mA, 2 x 6.3V 2A C.T., 5V 2A £8.50
 220V 45mA, 6.3V 2A £1.75
 HEATED TRANS 6.3V 1/2 amp £1.00
 3 amp £1.40

GENERAL PURPOSE LOW VOLTAGE Tapped outputs 2 amp 3, 4, 5, 6, 8, 9, 10, 12, 15, 18, 25 and 30V £5.30

1 amp	6, 8, 10, 12, 16, 18, 20, 24, 30, 36, 40, 48, 60	£5.30
2 amp	6, 8, 10, 12, 16, 18, 20, 24, 30, 36, 40, 48, 60	£8.50
3 amp	6, 8, 10, 12, 16, 18, 20, 24, 30, 36, 40, 48, 60	£11.00
5 amp	6, 8, 10, 12, 16, 18, 20, 24, 30, 36, 40, 48, 60	£14.50

12V 100mA £1.00 20V 40V 60V 1 amp £3.50

12V 750mA £1.00 12V 300mA £1.00

20V 3 amp £2.45 10V 20V, 40V 2 amp £2.75

30V, 5 amp and 17V-0-17V 2 amp 40V, 2 amp £2.95

0-5-8, 10, 16V, 1/2 amp £3.45 20V 1 amp £2.20

20V, 1/2 amp £1.95 20V-0-20V, 1 amp £2.95

20V 3 amp £2.95 30V-0-30V, 3 amp £7.00

20V 1/2 amp £2.75 2 of 18V 6 amp £11.00

AUTO TRANSFORMERS, 115V to 230V or 230V to 115V 150W £5.00

250W £8.00 400W £7.00 500W £8.00

FULL WAVE BRIDGE CHARGER RECTIFIERS

6 or 12V outputs, 1 1/2 amp	40p
2 amp	75p
4 amp	£1.00
4 amp	£2.75

CHARGER TRANSFORMERS 1 1/2 amp £2.75

12V 1 1/2 amp Half Wave Selenium Rectifier 25p


R.C.S. BOOKSHELF SPEAKERS £16 pair Post £1 30

13 x 10 x 6in. 50 to 14,000 cps. 8 watts rms 4, 8 or 16 ohms



GLOBAL SPEAKERS £4.95 ea.

These little marvels of modern sound reproduction are ideally suited for today's domestic audio set-up. Two of these smart spheres, each with 5 watt deep throated ceramic magnets, will produce superb stereo reproduction. The globe shaped cases in high gloss mouldings of red and green, are finished with chrome frontal trim and provided with screw-on rubber inset protective bases. In addition, 2 1/2 metres of strong lead already fitted with phono plug is supplied. Frequency Response: 100-20,000 Hz. Impedance: 8 ohms. Power Capacity: 5 watts



LOW VOLTAGE ELECTROLYTICS

1, 2, 4, 5, 8, 16, 25, 30, 50, 100, 200mF 15V 10p.
 500mF 12V 15p; 25V 20p; 50V 30p;
 1000mF 12V 17p; 25V 35p; 50V 47p; 100V 70p.
 2000mF 6V 25p; 25V 42p; 420mF/500V £1.30
 250mF 50V 62p; 300mF 25V 47p; 50V 65p.
 3900mF 100V £1.60. 4700mF 63V £1.20. 2700mF 76V £1.
 5000mF 6V 25p; 12V 42p; 35V 85p; 5600mF/76V £1.75
MANY OTHER ELECTROLYTICS IN STOCK

SHORT WAVE 100pF air spaced gangable tuner. 95p.

TRIMMERS 10pF, 30pF, 50pF, 5p, 100pF, 150pF, 15p.

CERAMIC, 1pF to 0.01mF, 5p, Silver Mica 2 to 5000pF, 5p.
PAPER 350V-0.1 7p; 0.5 13p; 1mF 150V 20p; 2mF 150V 20p.
 500V-0.001 to 0.05 5p; 0.1 10p; 0.25 13p; 0.47 25p.

MICRO SWITCH SINGLE POLE CHANGEOVER 20p.

SUB-MIN MICRO SWITCH, 25p. Single pole change over

TWIN GANG, 385 + 385pF 50p; 500pF standard 75p; 365 + 365 + 25 + 25pF. Slow motion drive 65p.

120pF TWIN GANG, 50p; 365pF TWIN GANG, 50p.

NEON PANEL INDICATORS 250V, Amber or red 30p.

RESISTORS, 1/2W 1/2W 1W 20% 2p; 2V, 10V; 10Ω to 10M

HIGH STABILITY, 1/2W 2% 10 ohms to 6 meg. 12p.

Ditto 5% Preferred values 10 ohms to 10 meg. 5p.

ELECTRO MAGNETIC PENDULUM MECHANISM 95p Post 30p

1.5V d.c. operation over 300 hours continuous on SP2 battery; fully adjustable swing and speed. Ideal displays teaching electro magnetism or for metronome, strobe, etc

BAKER MAJOR 12" £15.00 Post £1 00

30-14 500 c/s 12in double cone woofer and tweeter cone together with a BAKER ceramic magnet assembly having a flux density of 14,000 gauss and a total flux of 145,000 Maxwells. Bass resonance 40 c/s. Rated 25W. NOTE 4 or 8 or 16 ohms must be stated

Module kit, 30-17 000 c/s with tweeter crossover baffle and instructions £19.00 Post £1 60 each Please state 4 or 8 or 16 ohms

BAKER "BIG-SOUND" SPEAKERS Post £1 00 each

'Group 25' 12in 30W £12.00 4 or 8 or 16 ohm	'Group 35' 12in 40W £14.00 4 or 8 or 16 ohm	'Group 50/15' 15in 75W £26.00 8 or 16 ohm
---	---	---

BAKER LOUSPEAKER, 12 INCH, 60 WATT. GROUP 50/12, 4 OR 8 OR 16 OHM HIGH POWER. FULL RANGE PROFESSIONAL QUALITY RESPONSE 30-16 000 CPS MASSIVE CERAMIC MAGNET WITH ALUMINIUM PRESENCE CENTRE DOME £21.00 Post £1 60

TEAK VENEERED HI-FI SPEAKERS AND CABINETS

For 12in or 10in speaker 20x13x12in £14.50 Post £2
 For 13x8in or 8in speaker £8.50 Post £1
 For 6 1/2in speaker and tweeter 12x8x6in £5.80 Post 75p
 Many other cabinets in stock. Phone your requirements

SPEAKER COVERING MATERIALS. Samples Large S.A.E. LOUSPEAKER CABINET WADDING 18in wide 20p ft

R.C.S. 100 watt VALVE AMPLIFIER CHASSIS

Four inputs. Four way mixing. master volume. treble and bass control. Suits all speakers. This professional quality amplifier chassis is suitable for all groups disco P.A. where high quality power is required. 5 speaker outputs A/C mains operated. Slave output socket. Produced by demand for a quality valve amplifier. 100V line output to order. Price £94 Send for leaflet
 Suitable carrying cab £16.50 Price £94 carr £2 50



Horn Tweeters 2 16kc/s 10W 8 ohm or 16 ohm £3.60

De Luxe Horn Tweeters 3-18kc/s 30W 8 ohm £7.50

CROSSOVERS, TWO-WAY 3000 c/s 3 or 8 or 15 ohm £1.90. 3-way 950 cps/3000 cps £2.20.

LOUSPEAKERS P.M. 3 OHM 7x4in £1.50; 6 1/2in £1.80; 8x5in £1.90; 8in £1.95.

SPECIAL OFFER: 80 ohm 2 1/2in 2 1/2in 35 ohm 3in 25 ohm 2 1/2in 3in 5x3in 7x4in 8 ohm, 2 1/2in 3in 3 1/2in 5in, 15 ohm 3in, 3 1/2in dia, 6x4in 7x4in 5x3in 3 ohm, 2 1/2in, 3 1/2in, 5in dia £1.50 each

PHILIPS LOUSPEAKER, 8in 4 ohms 4 watts £1.95


RICHARD ALLAN TWIN CONE LOUSPEAKERS 8in diameter 4W £2.50, 10in diameter 5W £2.95; 12in diameter 6W £3.50. 3/8 1/8 1/8 ohms please state

PIEZO ELECTRIC HORN TWEEETER. Handles up to 100 watts. No crossover required £7.95.

Tweeter Volume Control 15 ohms 10W with one inch long threaded bush for wood panel mounting 1/2in spindle 65p.

BAKER 150 WATT PROFESSIONAL MIXER AMPLIFIER £72 £1 50 carr

All purpose transistorised ideal for Groups, Disco and P.A. 4 inputs speech and music 4 way mixing. Output 4/8/16 ohms a.c. Mains. Separate treble and bass controls. Master volume control. Guaranteed. Details S.A.E.




100 WATT DISCO AMPLIFIER

Volume treble bass controls. 500 MV or 1 volt input. Four loudspeaker outputs 4 to 16 ohm. All transistor £59

GOODMANS COMPACT 12-INCH BASS WOOFER £10.95 each Post £1 00

Standard 12in diameter fixing with cut sides 10 1/2 square. 1.4 000 Gauss magnet. 30 watts R.M.S. 4 ohm imp. Bass resonance = 30 cps. Frequency response 30-8000 c.p.s.



ALUMINIUM HEAT SINKS, FINNED TYPE. Sizes 6 1/2" x 4 1/2" x 2 1/4" 95p. 6 1/2" x 2" x 2 1/4" 65p.

BALANCED TWIN RIBBON FEEDER 300 ohms, 5p yd.

JACK SOCKET Std. open-circuit 20p, closed circuit 25p;

Chrome Lead-Socket 45p. Mono or Stereo.

Phono Plugs 8p. Phono Socket 8p.

JACK PLUGS Std. Chrome 30p; Plastic 25p; 3.5mm 15p.

STEREO JACK PLUG 30p. SOCKET 25p.

DIN SOCKETS Chassis 3-pin 10p; 5-pin 10p.

DIN SOCKETS FREE 3-pin 25p; 5-pin 25p. DIN PLUGS 3-pin 25p; 5-pin 25p. VOLT HOLDERS, 10p; CANS 10p.

TV CONVERGENCE POTS 15p each Values = 5 7 10 20 50 100 200 250 470 2000 ohms

MONO PRE-AMPLIFIER. Mains operated solid state pre-amplifier unit designed to complement amplifiers without low level phono and tape input stages. This free-standing cabinet incorporates circuitry for automatic R.I.A. equalisation on magnetic phono input and N.A.B. equalisation for tape heads. Power ON/OFF. PHONO/TAPE switches and pilot lamp are on the front panel. phono socket input and output are rear located. £4.50 each or £8 pair. Post 50p



RADIO COMPONENT SPECIALISTS

337 WHITEHORSE ROAD, CROYDON
 Open 9-6. Wed. 9-1. Sat. 9-5 (Closed for lunch 1.15-2.30)
 Radio Books and Components lists 20p. (Minimum posting charge 30p.) Cash prices include VAT. (We accept Access or Barclaycard. Phone your Order) Tel. 01-684 1665

SPECIAL LOW PRICE ARRANGEMENTS FOR VISITING OVERSEAS TRADE FAIRS



IPC Electrical-Electronic Press Ltd., the world's largest publishers of computer, electrical and electronic journals, have made special arrangements for readers wishing to visit important overseas trade fairs. The cost, in most cases, is little more than the normal air fare but includes – travel by scheduled airline from Heathrow and Manchester * first-class hotel accommodation * arrival and departure transfers * admission to the trade fair * services of an experienced tour manager. The current programme comprises the following tours.

To obtain a brochure and booking form, tick the box against the tours in which you are interested, complete the coupon and post to the exclusively appointed travel agent, Commercial Trade Travel Ltd., Carlisle House, 8 Southampton Row, London WC1. Telephone 01-405-8666 or 01-405-5469.

International Exhibition for
Electronic Production—
PRODUCTRONICA

Munich

November 22-26
1977

International Electronic
Components

Paris

April 3-8 1978

Hanover Fair

April 19-27, 1978

Compec Europe

Brussels

May 9-12 1978

Sicob

Paris

September 20-22, 1978

Electric Vehicle Expo

Philadelphia

October 3-5, 1978

Nuclex

Basel

October 3-7, 1978

Electronica

Munich

November 9-15, 1978

Please send details of the tours indicated above.

NAME..... COMPANY.....

ADDRESS..... Telephone.....

TRAMPUS

A SEMICONDUCTOR POWERHOUSE
TRAMPUS ELECTRONICS LTD., 58-60 GROVE ROAD, WINDSOR,
BERKS. SL4 1HS. TELEPHONE WINDSOR (07535) 54525.
CALLERS WELCOME MON.-SAT. 9 A.M.-5 P.M.

Fast service on ex stock products normally 24 hour turn around. Quality devices to manufacturers specifications. Barclaycard & Access by post or telephone £5 minimum. Send CW0, add 20p post & packing plus 8% VAT to items marked * 12½% VAT to unmarked items. No minimum order charge for cheque or postal orders. Government Dep'ts. schools. NMA £5 min. order. Free catalogue sale list send SAE. Money back if not satisfied (prices may change)

<p>I.C.'s</p> <p>555 DIL 8 Timer 34p 723 Regulator 89p 741 DIL PIN 26p 741 DIL 14/T099 36p 747 DUAL 741 89p 748 DIL 14 PIN 29p 748 DIL 8 PIN 49p 7805 plastic or TO3 1.00 7812 or 15 1.50 78013 or 78023 1.49 8038 S/G GEN 5.00 AY51 224 CLOCK 2.25 LM 301 DIL 14 29p LM 301 DIL 8 59p LM 309 103 5V 1.00 LM 382 (LM381) 2.00 LM 380 60745 89p LM 3130. CA 3130 95p LM 3900 75p MC1310 MPX OR 75p NE555 Timer 34p NE555 2.555 1.00 TBA810 or 820 1.00</p> <p>LEDS ½" & 2" DIA</p> <p>RED NO CLIP 11p 2" 209 & CLIP 15p COLOUR LEDS ALL 19p NEW BEZEL LED COVER CLIP 10p</p> <p>DISPLAYS (RED LED)</p> <p>0.3" DL704/2 59p 0.3" DL707/2 59p 0.6" DL747/2 NO DP 1.00 TGS 308 GAS D 5.00 390pK TUNING CAP 1.00 BLEEPER RS TYPE 1.49 DALO PCB PEN 69p SRBP 6" x 4" 60p ½KG FERRIC TUB 1.00 PCB ETCH KIT 2.00 VU METERS 1.50</p> <p>TUNER SALE</p> <p>MW/LW & FM WITH MPX DE- CODER & PUSH BUTTONS ONLY 10.00 STEREO 7W AMP 2.69</p>	<p>TRANSISTORS</p> <p>BC 107 108 7p BC109 8p BC107 108 109 B 15p BC108 or 109 C 12p BC147 8 9 15p BC167 8 9 10p BC177 8 9 20p BC 182 3 4 A or L 9p BC212 3 4 A or L 12p BCY70 71 72 20p BD131 or 132 ea 39p BFY 50 51 or 52 20p MJ2955 (PNP) 1.50 MJ 2955 1.40 MJ3055 55p ORP12 PLASTIC 50p TIP29 30 31 32C 60p TIP 41A or 42A 65p TIP 41C or 42C 1.00 TIP 2955 65p TIP 3055 55p TS43 or 2N2646 50p 2N2901 & 2905 30p 2N2926 YG 15p 2N3053 24p 2N3055 115W 45p 2N3442/472 120V 1.50</p> <p>TTL 7400N SERIES</p> <p>7400 14p 7486 86 10p 7401 10p 7490 49p 7404 520p 7491 250p 7408 10 7493 550p 7413 39p 74107 20p 7417 20 74121 33p 7430 25p 74123 39p 7440 15p 74157 50p 7441 79p 74193 50p 7445 49p QUOTE THIS 7447 84p AD FCR 7470 72 SPECIAL 7473 74 SPECIAL 35p PRICES 7475 40p SHOWN 7476 39p 7480 2 5 10p</p> <p>DIODES OAR1 91 5p IN 914 84148 SIL 4p IN 4001 5p 4004 7p BRIDGE 1A50V 25p BZY88 400mW ZENERS 3-30V 10p</p> <p>SCR & TRIACS</p> <p>DISCO TRIAC 10A 400V 1.00 DISCO SCR C106 4A 400V 49p SCR 1A 400V 50p 1A 600V 69p DIAC ST 2 25p BR100 40p SILICON GREASE (MINI) 25p</p> <p>FULL SPEC PAKS</p> <p>PAK A 10 x RED LED 1.00 PAK B 4 x 741 DIL8 1.00 PAK C 3 x 2N3055 1.00</p>	<p>PAK H 6 x 2N3819E 1.00 PAK K 40 x IN914 1.00 PAK N 25 x OA811 91 1.00 PAK T 4 x LM301 1.00 PAK W 20 x Electrolytics 1.00 MORE PAKS IN LISTS</p> <p>CAPACITORS: CERAMIC 5p ELECTROLYTIC 1uf 200uf 5p HEATSINKS TO 18 105 5p TO3 SMALL 29p B/G 69p</p> <p>DIL SOCKETS</p> <p>LOW PROFILE B PIN 12p 1.4 OR 1.6 PIN 15p VERO All 0 1" stocked</p> <p>2 ½" x 3 ½" 42p 3 ½" x 5" 56p 3 ½" x 17" 2.50 2 ½" x 5" 50p OIL BOARD 6" x 4" 2.44 POTS 25p PRESETS 9p RESIS- TORS 2p CMOS RANGE IN LISTS</p> <p>4001 OR 2 23p 4009 10 59p 4011 20p 4049 69 23p</p>
---	---	--

TRANSFORMERS

ALL EX-STOCK - SAME-DAY DESPATCH
MAINS ISOLATING V.A.T 8% 12 and/or 24-VOLT
 PRI 120/240V SEC 120/240V Separate 12v windings Pri 220-240 Volts
 Centre Tapped and Screened

Ref. VA	Watts	£	P&P	Ref.	12v	24v	£	P&P
07*	20	4.40	79	111	0 5	0 25	2.20	45
149	60	6.20	96	213	1 0	0 5	2.64	78
150	100	7.13	1 14	71	2	1	3.41	78
151	200	11.16	1 50	18	4	2	4.03	96
152	250	12.79	1 84	70	6	3	5.35	96
153	350	16.28	1 84	108	8	4	6.98	1 14
154	500	19.15	2 15	72	10	5	7.67	1 14
155	750	29.06	0A	116	12	6	8.99	1 32
156	1000	37.20	0A	17	16	8	10.39	1 32
157	1500	45.60	0A	115	20	10	13.18	2 08
158	2000	54.80	0A	187	30	15	17.05	2 08
159	3000	79.05	0A	226	60	30	26.82	0A

*115 or 240 sec only

50 VOLT RANGE

Primary 220-240V
 SEC TAPS 0-20-25-33-40-50V
 VOLTAGES AVAILABLE

Ref.	Amps	£	P&P
5	7 8 10 13 15 17 20 33 40 50v	25-0-25 20-0-20	
102	0 5	3.41	78
103	1 0	4.57	96
104	2 0	6.98	1 14
105	3 0	8.45	1 32
106	4 0	10.70	1 50
107	6 0	14.62	1 64
118	8 0	17.05	2 08
119	10 0	21.70	0A

30 VOLT RANGE

Primary 220-240V
 SEC TAPS 0-12-15-20-24-30V
 VOLTAGES AVAILABLE

Ref.	Amps	£	P&P
112	0 5	2.64	78
79	1 0	3.57	96
3	2 0	5.27	96
20	3 0	6.20	1 14
21	4 0	7.44	1 14
51	5 0	8.37	1 32
117	6 0	9.92	1 45
88	8 0	11.73	1 64
89	10 0	13.33	1 84

60 VOLT RANGE

Primary 220-240V
 SEC TAPS 0-24-30-40-48-60V
 VOLTAGES AVAILABLE

Ref.	Amps	£	P&P
6	8 10 12 16 18 20 24 30 36	40 48 60v or 24-0-24v or 30-0-30v	
66	300		7.75 1 14
67	500		10.99 1 64
84	1000		18.76 2 08
93	1500		23.36 0A
95	2000		34.82 0A
73	3000		48.00 0A

AUTO TRANSFORMERS

Ref.	VA	Watts	TAPS	£	P&P
113	20	0-115-210-240v		2.48	71
64	75	0-115-210 240v		3.95	96
4	150	0-115-200-220-240v		5.35	96
66	300			7.75	1 14
67	500			10.99	1 64
84	1000			18.76	2 08
93	1500			23.36	0A
95	2000			34.82	0A
73	3000			48.00	0A

SCREENED MINIATURES

Primary 240V

Ref.	mA	Volts	£	P&P
238	200	3-0-3	1.99	55
212	1A 1A	0-6-0-6	2.85	78
13	100	9-0-9	2.14	38
235	330 330	0-9-0-9	2.59	38
207	500 500	0-8-9-0-8-9	1.99	71
208	1A 1A	0-8-9-0-8-9	3.53	78
236	200 200	0-15-0-15	1.99	39
239	500MA	12-0-12	1.99	38
214	300 300	0-20-0-20	2.56	78
221	700 (DC)	20-12-0-12-20	3.41	78
206	1A 1A	0-15-20-0-15-20	4.63	96
203	500 500	0-15-27-0-15-27	3.99	96
204	1A 1A	0-15-27-0-15-27	5.39	96
S112	500	0-12-15-20-24-30	2.64	76

CASED AUTO. TRANSFORMERS

240V vable input. USA 2 on outlets 115V

	VA	£	P&P	Ref.
20V	£4.96	P&P 96		113W
75V	£6.03	P&P 1 14		64W
150V	£8.48	P&P 1 14		4W
200V	£9.92	1 45		65W
300V	£12.53	P&P 1 45		66W
500V	£15.73	P&P 1 64		67W
750V	£18.55	P&P 1 76		83W
1000V	£22.68	0A		84W
2000V	£37.65	0A		95W

BRIDGE RECTIFIERS

200v	2A	45p
400v	2A	55p
200v	4A	65p
400v	4A	80p
400v	6A	1.00
500v	10A*	2.35

*P&P 29p. V.A.T 12½%
 *V.A.T 8%

METERS

AVOB Mk 5	£77.92
AVO71	£29.00
AVO73	£39.10
AVOMM5 MINOR	£24.00
WEE MEGGER	£58.80
AVO TT169 in-circuits transistor tester	£33.65

U4315 (Inc case)
 U4315 budget meter
 20Km / VDC / 2K / VAC 1000V
 AC / DC 2.5A AC / DC 500K res
 in robust steel case. leads. etc.
£14.95

Avo Cases and Accessories
 in stock
 P&P £1 15 V.A.T 8%

MINI-MULTIMETER

DC-1000V AC-1000V
 AC / DC 1000Q / V
 DC-100mA Res - 150K
 Bargain at **£5.86**
 V.A.T 8% P&P 62p

STEREO F.M. TUNER

Phase lock loop 4 pre-selected stations varicap tuning. switched AFC LED Beacon
£20.45 (VAT 12½%)
 P&P 40p
 4 Pre-selected stations
 Switched AFC
 Supply 20-35v 90Ma Max
£21.63. P&P 40p. V.A.T 12½%

HIGH QUALITY MODULES

10 watt RMS Amplifier	£3.66
35 watt RMS Amplifier	£6.95
25 watt RMS Amplifier	£4.57
125 watt RMS Amplifier	£15.95
Pre-Amp for 10w	£6.70
Pre-Amp for 25w	£13.88
Power Supplies for 10w	£1.30
Power Supplies for 25w	£3.75
Transformer for 10w	£3.09
Transformer for 25w (one module)	£4.79

P&P Modules 35p. Trans 96p
 V.A.T 12½% *V.A.T 8%

STEREO 30

Complete chassis inc. 7+7w rms amps. pre-amp. power supply. front panel. knobs (needs mains trans) **£19.05.** Mains trans **£3.57.** Teak veneered cab **£5.25.** P&P £1 02. V.A.T 12½%

POWER UNITS

B12. 3. 4. 5. 7. 9. 12v 500mA	£5.32
STABILISED 3. 6. 7. 5. 9v at 400mA	£5.95
3300. 6. 7. 5. 9v at 300mA plugs direct into 13A socket (fused)	£3.30

V.A.T 12½%. P&P 55p. V.A.T 8% on P&P

ANTEX SOLDERING IRONS

15W **£3.75.** 18W **£3.75.** 25W **£3.40**
 Stand for above **£1.40.** P&P 46p. V.A.T 8%

PLEASE ADD VAT AFTER P&P
 SEMICONDUCTOR RESISTOR CAPACITOR SEMI-
 CONDUCTOR/AUDIO ACCESSORIES & BARGAIN
 PAKS SAVE POSTAGE CALLERS WELCOME
 (MON-FRI) OR SEND 15p STAMP FOR LISTS
 PRICES CORRECT AT 29 9 77

DIY HiFi

From the USA

THE AUDIO AMATEUR magazine, now eight years old, is totally dedicated to good sound for the do-it-yourself audiophile. TAA's thoroughly tested construction articles range from simple overload indicators to hand-made electrostatic speakers with their own direct drive power amplifiers to mixers and much, much more. Our authors include *Reg Williamson, B. J. Webb, and Alan Watling.*

Fill in the coupon, enclose cheque or money order payable to **The Audio Amateur** and send to TAA Dept. WW1, Yellow Oak Cottage, Tillington, Nr. Hereford HR4 8LQ.

Enter my subscription to TAA for one year/four issues for £3.

I want to know more. I enclose 75p plus 25p for postage for a sample issue of *The Audio Amateur.*

Send free prospectus.

Name _____ Street _____

Town _____ County _____ Post Code _____

These rates are for the U.K. only.

Subscribe now on a satisfaction guaranteed basis or send for a FREE descriptive folder.

Rates for other areas available from head office TAA, P.O. Box 176, Peterborough N.H. 03458 USA.

Barrie Electronics Ltd.

3, THE MINORIES, LONDON EC3N 1BJ

TELEPHONE: 01-488 3316/8

NEAREST TUBE STATIONS: ALDGATE & LIVERPOOL ST.

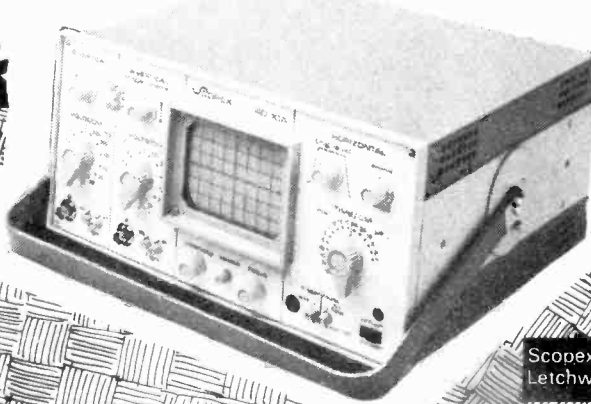
WW - 006 FOR FULL DETAILS

3% Measuring Accuracy
 Stabilised Power Supplies
 10 MHz Dual Trace
 10 mV Sensitivity

SCOPEX 4D10A

Now YOU can afford
 the Best at

£175
 UK ex VAT



SCOPEX

Scopex Instruments Limited, Pixmore Industrial Estate, Pixmore Avenue,
 Letchworth, Herts. SG6 1JJ Letchworth 72771 (STD 046 26)

WW-054 FOR FURTHER DETAILS

TEN GOOD REASONS FOR BUYING THE NEW FLUKE 8020A DMM.



ONLY
£99
 PLUS VAT

1. 26 ranges of AC/DC volts and amps, ohms and conductance.
2. 0.25% vdc accuracy over 10°C range for 1 year.
3. 'High power' ohms for diode testing.
4. 'Low power' ohms for in-circuit resistance measurement.
5. Conductance ranges allow leakage measurement to 10,000 MΩ.
6. 9v battery gives typically 200 hrs. life.
7. Protected to 250v dc or rms on any range, any function.
8. Protects to 6kv for 10µs on any range, any function.
9. 2 year warranty on parts and labour.
10. Large liquid crystal display.

Harlow(0279)29522

ITS instrument services

Edinburgh Way, Harlow, Essex. CM20 2DF. Telex: 81525

The only way to buy.

WW-015 FOR FURTHER DETAILS



The Poms are renowned for their two most outstanding products ...us Aussies and loudspeakers

Over a century ago we provided the raw material for producing that distinctive Aussie sound. Today we're still giving the world the benefits of British sound technology by producing the ultimate in hi-fi loudspeaker quality.

Celestion is in the forefront of that British capability with the famous Ditton and new UL ranges that offer everything you want for the price you are prepared to pay to get the best out of your hi-fi system.

From the small compact bookshelf

speaker up to the big Ditton 66, whatever you choose you get the ultimate in speaker experience with Celestion.

Ask any hi-fi enthusiast and he'll confirm our claim. But first have a look for yourself at the sound we're selling. Send for our literature or visit your local stockist.

Celestion



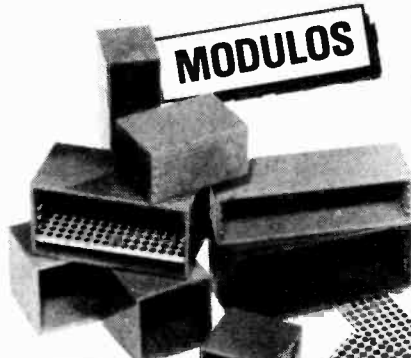
Rola Celestion Ltd., Ditton Works,
Foxhall Road, Ipswich, Suffolk IP3 8JP.
Telephone: Ipswich (0473) 73131.
Cables: Voicecoil Ipswich. Telex: 98365.

Name _____

Address _____

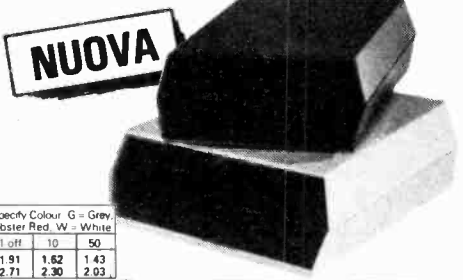
07.12-12

Celestion loudspeakers bring home the world of sound



WH
WEST HYDE

From 1st Jan. UNIT 11
PARK ST. INDUSTRIAL ESTATE
AYLESBURY, BUCKS
TEL: 20341



TEKO

are now sole agents for

TEKO MODULOS

Lgth mm	Wth mm	Hgt mm	Pck	Specify colour: G = Grey R = Red, V = Sea Green			
				1 off	10	50	
20	20	20	TEK L20 X	Pk 4	0.93	0.79	0.70
30	20	20	TEK L30 X	Pk 4	0.93	0.79	0.70
40	20	20	TEK L40 X	Pk 4	1.05	0.89	0.79
50	20	20	TEK L50 X	Pk 4	1.05	0.89	0.79
19	12.5	17.5	TEK S19 X	Pk 4	0.93	0.79	0.70
27	12.5	17.5	TEK S27 X	Pk 4	0.93	0.79	0.70
38	12.5	17.5	TEK S38 X	Pk 4	1.05	0.89	0.79
51	12.5	17.5	TEK S51 X	Pk 4	1.05	0.89	0.79
Asst of 8 pieces			TEK SL8 X	Pk 8	1.87	1.59	1.40

NUOVA Specify Colour: G = Grey, L = Lobster Red, W = White

	1 off	10	50
TEK D13 X	1.91	1.62	1.43
TEK D14 X	2.71	2.30	2.03

	External	Internal	Printed Circuit Size	
			Horizontal	Vertical
TEKD13	135x55x150	120x46x130	120x130	120x46
TEKD14	155x58x180	135x53x163	135x163	135x53

A wide range of small and miniature cases in A.B.S. suitable for anything from digital clocks to audio consoles. Low cost with discounts for quantity. **MODULOS** can be used

for encapsulation and come with

P.C. boards. **NUOVA** have a clear

front panel. The very popular **DESKO**

& **TEKO** are very widely used in both production and amateur use. **ALBA** are cases

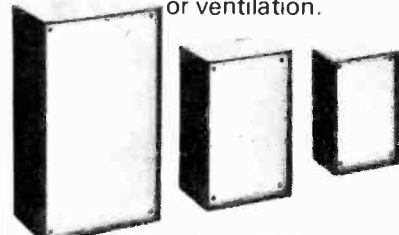
with grills top and bottom, for speakers or ventilation.

TEKO ALBA

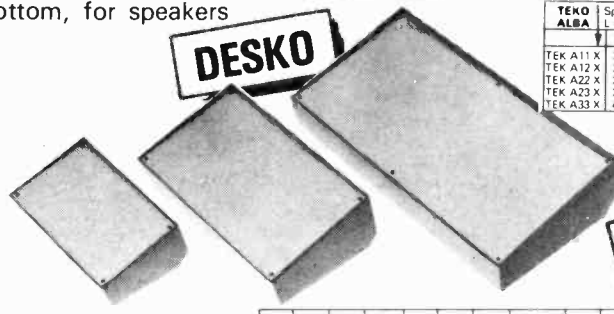
	Lgth	Wth	Hgt
TEK A11	198	180	40
TEK A12	198	180	55
TEK A22	198	180	70
TEK A23	198	180	90
TEK A33	198	180	110

TEKO ALBA Specify colour: G = Grey, L = Lobster Red

	1 off	10	50
TEK A11 X	3.15	2.88	2.36
TEK A12 X	3.40	2.89	2.55
TEK A22 X	3.60	3.06	2.70
TEK A23 X	3.85	3.27	2.89
TEK A33 X	4.10	3.48	3.07



DESKO



TRADE ENQUIRIES INVITED


Dimensions	Panel		TEKO		
	Al.	Plastic	1 off	10	50
80x50x30	TEKP1A	TEKP1P	0.68	0.58	0.51
105x65x40	TEKP2A	TEKP2P	1.01	0.86	0.76
155x90x50	TEKP3A	TEKP3P	1.49	1.27	1.12
210x125x70	TEKP4A	TEKP4P	2.48	2.11	1.86

MINIMUM ORDER £2.00

A	B	C	D	E	"	Wt.oz	DESKO	1 off	10	50
161	95	45	60	40	15	150	TEK 362	1.85	1.40	1.24
215	130	65	75	45	15	300	TEK 363	2.48	2.11	1.86
311	169	65	90	50	15	500	TEK 364	5.21	4.43	3.91

WEST HYDE DEVELOPMENTS LTD., RYEFIELD CRESCENT, NORTHWOOD HILLS, NORTHWOOD, MIDDLESEX HA6 1NN. Phone: Northwood 24941, 26732, 27051
WW-101 FOR FURTHER DETAILS

CIRCUIT



CS SERVICES

SYNTHESIZED F.M. TRANSCEIVER

(Wireless World November 1977)

We are offering a Component Kit which comprises all resistors, variable resistors, capacitors, transistors, diodes and integrated circuits at an inclusive price of £59.00. Part kits are also available.

Other designs in our component-kit range include the Low noise low distortion preamplifier, Low distortion oscillator, Matrix H decoder, Sensitive metal detector, and Electrolytic capacitor tester.

For further details please send s.a.e. to
**Circuit Services, 36 Hallowes Crescent
S. Oxhey, Watford, Herts.
(Mail Order only)**

reprints

If you are interested in a particular article / special Feature or advertisement published in this issue of **MIDDLE EAST ELECTRONICS** why not take advantage of our reprint service. Reprints can be secured at reasonable cost to your own specifications providing an attractive and valuable addition to your promotional material. (Minimum order 250).

For further details contact:
Brian Durrant, IPC Electrical-Electronic Press Ltd.
Phone: 01-261 8597 or simply complete and return the form below.

To: Brian Durrant, Reprints Department
Dorset House, Stamford Street, London SE1 9LU

I am interested in copies of the article / advertisement headed featured in

MIDDLE EAST ELECTRONICS

on page(s) in the issue dated

Please send me full details of your reprint service by return of post.

Name

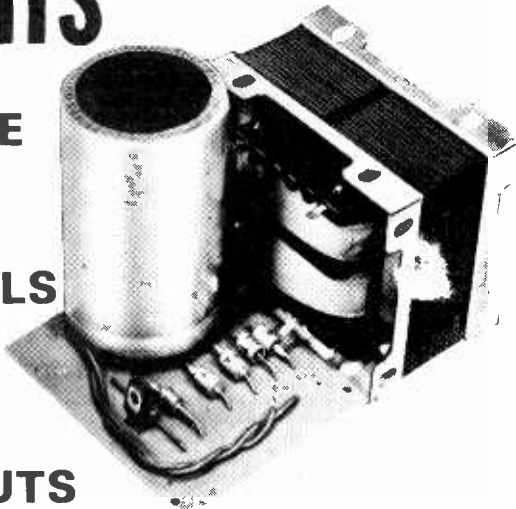
Company

Address

Tel. No.

POWER SUPPLY UNITS

IN A RANGE OF 9 MODELS FROM 12 TO 70V OUTPUTS



WITH STABILIZED LOW-VOLT TAKE-OFF POINTS

Tested and guaranteed. Stirling Sound power units offer supreme value and have the added advantage of including a stabilized take off point on all models except SS. 312 and SS. 300 add-on stabilizing unit. Output ratings quoted unloaded. Prices include V.A.T.; goods sent post free in U.K.

SS. 312	12V/1A	£6.60	SS.300	Output stabilizing unit to add to standard supply units. Output adjustable from 10 to 50V. Short-circuit protection	£5.50
SS. 318	18V/1A	£6.95	SS.310/50	Stabilized power supply unit with adjustable output 10 to 50V/2A. Short circuit protected	£17.75
SS. 324	24V/1A	£7.65			
SS. 334	34V/2A	£8.75			
SS. 345	45V/2A	£10.75			
SS. 350	50V/2A	£11.75			
SS. 360	60V/2A	£12.75			
SS. 370	70V/2A	£14.75			

5% OFF WHEN YOU BUY A POWER AMP AND POWER SUPPLY TOGETHER

If you order any Stirling Sound Power Amplifier and Supply Unit together, deduct 5% from the total price. A wide choice of amps is available up to 100 watts. R.M.S. output quoted \pm 1dB:
UNIT ONE Pre-amp/Tone Control Unit for Ceramics, etc, STEREO, with front panel **£9.00**
UNIT TWO Pre-amp/Tone Control Unit for magnetic P.U. etc with panel **£12.43**

DEDUCT FURTHER £1 if ordered together with power amp and supply

SS.105	5W/13.5/30	£3.95
SS.110	10W/24V	£4.65
SS.120	20W/34V	£5.15
SS.140	40W/45V	£6.50
SS.160	60W/50V	£8.50
SS.1100	100W/70V	£10.50

FOR CAR OWNERS

The Stirling Sound 'Super Spark' Mk 5 capacity discharge ignition unit with switch for instant return to normal ignition, rev limiting control, leads, etc. In metal case approx 6 3/4" x 4 3/4" x 2 1/2" + or - earth. Easy to fit
KIT - £10.50. READY BUILT & TESTED £12.75

PAY ONLY THE PRICE YOU READ AND NO MORE

All prices quoted include VAT and Goods are sent post free in U.K. Owing to the time between preparing this ad. and its appearance to the public, prices may be subject to alteration without notice. E & O E

Stirling Sound

37 VANGUARD WAY, SHOEBURNESS, ESSEX
 Telephone: Shoeburyness (03708) 5543

SHOP: 220-224 West Rd., Westcliff-on-Sea, Essex SS0 9DF. Southend (0702) 351048

To: STIRLING SOUND, 37 Vanguard Way, Shoeburyness, Essex.

Please supply

For which I enclose £

(or pay by Access or Barclaycard)

Name

Address

W127

WW-103 FOR FURTHER DETAILS

Optoelectronics Theory and Practice will prove an indispensable source of information on this rapidly-growing technology.

It is the latest textbook to be written by staff at Texas Instruments applications laboratories.


As optoelectronic technology improves and cost reductions continue the use of opto devices is becoming more widespread.

Since many engineers last acquaintance with the physics of light was in their schooldays, the need for such a book becomes very important.

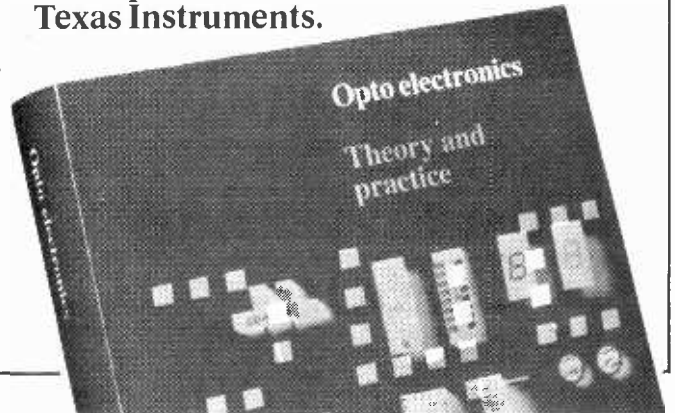
For just £8.75 (including p + p) this new textbook meets that need.

Simply, yet fully, it covers in detail the physics of optical radiation, the principles of calculation and, in a second section, gives many practical applications, design hints and suggestions for users of optoelectronic components.

Couplers, photo-transistors, IR LEDs, VLEDs and more - it's all in TI's latest.

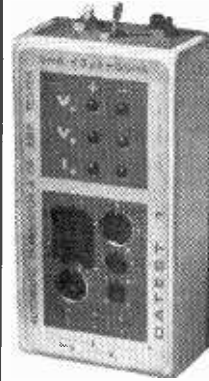
Order your copy now. 
TEXAS INSTRUMENTS LIMITED

An important new textbook from Texas Instruments.



To obtain copies of this book and a full list of TI publications contact:
 Bedford Distribution Co Ltd., St. John's Works, Bedford.
 Tel: 0234 44595 (C.W.O only).

DATEST 1 TRANSISTOR AND OP. AMP. TESTER



**Simplifies semiconductor testing
 Saves time and errors**

- ★ Tests are automatic and unambiguous
- ★ Tests devices in and out of circuit
- ★ Handles bipolars, FETs (all types), LEDs, diodes, op. amps. (out of circuit only)
- ★ Automatically displays device polarity and, for devices out of circuit, device type
- ★ Checks for gain, leakage, input offset

Price including test probes, full instructions and delivery (UK only) £49 plus VAT (8%) Data sheet on request.

DATONG ELECTRONICS LIMITED
 Spence Mills, Mill Lane, Bramley, Leeds LS13 3HE
 Telephone: Pudsey (0532) 552461

WW - 038 FOR FURTHER DETAILS

HAVE YOU DONE IT LATELY!

Fit a new tape head and transform the performance of your tape recorder

MONOLITH
 THE MONOLITH ELECTRONICS CO. LTD.

QUALITY REEL TO REEL AND CASSETTE TAPE HEADS



Full Catalogue 25p

Please enclose 20p P&P with order

B24-RP stereo cassette glass/ferrite record/playback £9.84
 B12-01 mono cass. playbk. £1.60 B24-01 stereo cass. playbk. £2.80
 A28-05 stereo 8tk cartridge £1.80 E12-09 stereo/mono cass. erase £1.80

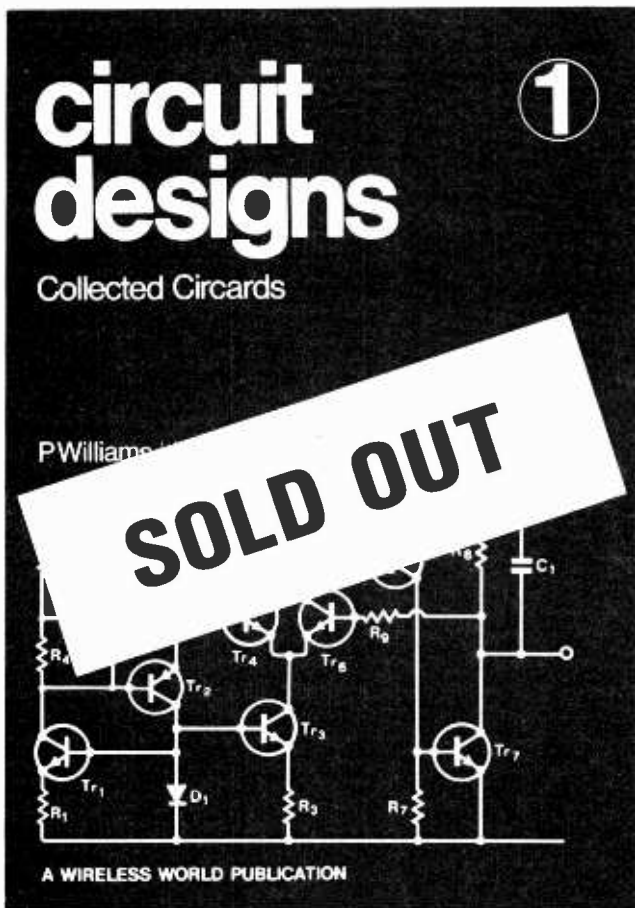
5/7 Church St, Crewkerne, Som. Tel. (0460) 74321

WW-076 FOR FURTHER DETAILS

Two books from Wireless World

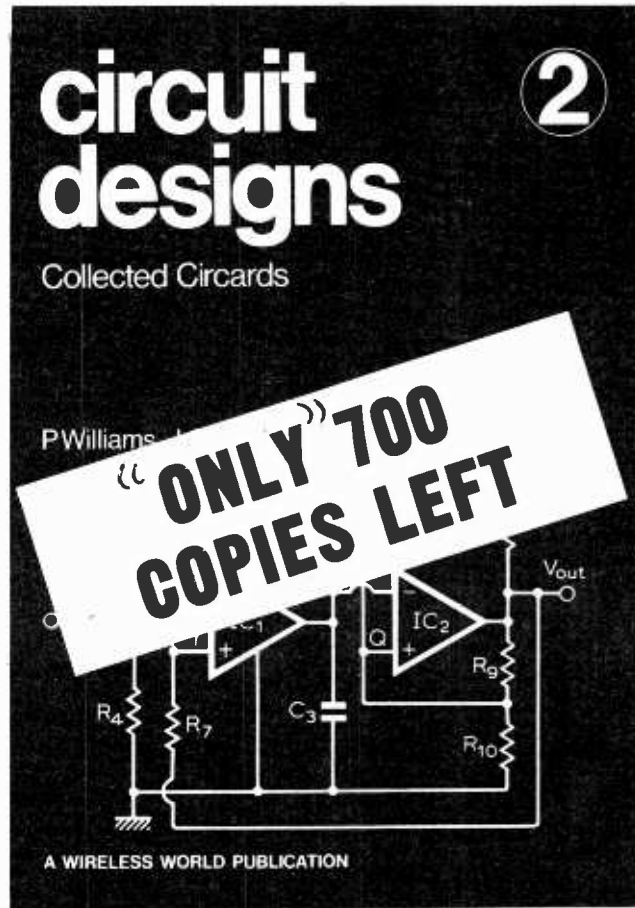
These books are of very special appeal to all concerned with designing, using and understanding electronic circuits. They comprise information previously included in Wireless World's highly successful

Circards – regularly published cards giving selected and tested circuits, descriptions of circuit operation, component values and ranges, circuit limitations, modifications, performance data and graphs. Each of these magazine-size hard cover books contains ten sets of Circards plus additional circuits and explanatory introduction.



BOOK 1

- Basic active filters
- Switching circuits
- Waveform generators
- AC measurements
- Audio circuits
- Constant-current circuits
- Power amplifiers
- Astable circuits
- Optoelectronics
- Micropower circuits



BOOK 2

- Basic logic gates
- Wideband amplifiers
- Alarm circuits
- Digital counters
- Pulse modulators
- C d as – signal processing
- C d.as – signal generation
- C d as – measurement and detection
- Monostable circuits
- Transistor pairs

ORDER FORM

To: General Sales Department,
IPC Business Press Limited,
Room CP34, Dorset House,
Stamford Street, London SE1 9LU.

Please send me copy/copies of
Circuit Designs – Number 2 at £12.50
each inclusive. I enclose remittance value £.....
(Cheques payable to IPC Business Press Ltd.)

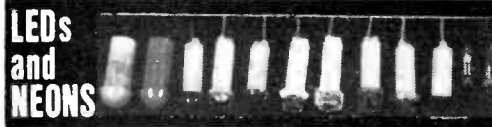
Name (please print)

Address

Company registered in England and a subsidiary of Reed International Limited Registered No. 677128 Regd. office Dorset House, Stamford Street, London SE1 9LU.

WH WEST HYDE COMPONENTS WEST HYDE WH

From 1st Jan. UNIT 11, PARK ST. INDUSTRIAL ESTATE, AYLESBURY, BUCKS. TEL: 20341

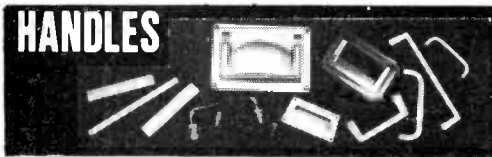


LEDs and NEONS
Above: Red LED, R Threaded chrome LED, Q, S, PCG, PCE, PCH, PCI, PCF, PCC, PCB, PCA, PPA, PPB. LEDs in red, green on own or in threaded chromium housing, 5.5mm d. hole. S neon 5.5mm d. O neon 7mm d. Neons in PC housings 9.5mm d., 3 cap colours, dome, top-hat, square. PP 12.5mm d. 6" leads std., 30" extra cost; neon only, 110, 220 or 500 volts.

LEDs	1	10	50	100	500	1000
Red (LED 32)	24p	22p	19p	18p	17p	16p
Green (LED 35)	32	29	26	24	22	21
Red (LED 12)	59	53	47	44	41	40
Green (LED 15)	66	59	53	49	46	44

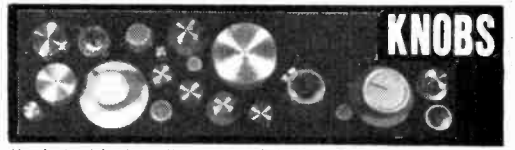
NEONS 110 or 230V	1	10	100	500	1000	10000
PCAI & PP 6"	32	27	24	21	19	16
PCA/1 & PP 30"	38	32	29	26	23	19
Q	68	58	51	46	41	34
S	40	34	30	27	24	20
N per 10 (neon only)	50	43	38	34	30	25

PRICES - 1 off inc. P & P but not VAT
Discounts for quantities
Minimum order £2.00.



HANDLES
On L., extruded PVC and anod. al. Centre: heavy duty carrying handles. On R., anod. & chromium. Wide range (47 different) in PVC, nylon, chromium, anodised, flush, extruded and carrying.

HANDLES	KNOBs
Chrom. from	See Catalogue for Prices
Extruded from	PANAVICE
Nylon from	(Photo L to R)
PVC from	301, base plus vice
Pivoting	366, 165mm opening
Flush precision	300, Screw base
V. heavy duty	380, Vacuum base
	315, PC holder
	311 Bench clamp
	303, Vertical vice
	8.97
	8.43

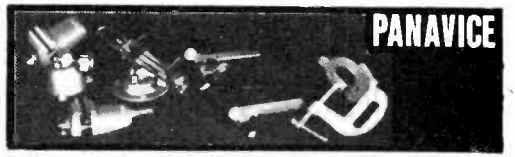


KNOBs
Hundreds of knobs, collet or screw fixing, plastic or aluminium, fluted, textured, smooth, wing, pointer, insulated, slow-motion, digital, crank-handle, heavy-duty, wing, contemporary, dual, & diamond turned. Shafts from 3mm to 10mm. Dia. from 8mm to 58mm.



TEST METERS
Pop-up 20,000 ohms/v., LT801, 17 ranges, Pocket LT101 low-cost, 12 ranges, 1,000 ohms/v. TS141, 66 ranges, 20,000 ohms/v. incl. nylon case. 115mm scale, 5amps AC & DC, 2,500 v. AC, well damped, many accessories.

TEST METERS	ORYX SOLDERING
LT101	8.86
LT801	14.70
TS141	32.37
141/30A	6.16
Lux	27.74
Therm.	24.65
25KV	11.55
	5.77
	5.10
	1.65



PANAVICE
A very good holding system. Four vices, 3 different bases, all interchangeable. Many vice jaws to hold PCs or available in steel, neoprene, nylon etc. Max. opening 6". Table mounting, Screw mount or Vacuum base.



BRADRAD CONECUT ADEL
L. to R. 2 1/2" Bradrad, drills and deburrs. 3/4" 1 1/2" 11 diameters Bradrad 4 Conecuts, 3/4" 1/2". Adel nibbling tool, square or round holes. 11mm d. entry. Underneath: 2 reamers, 3/4" 1/2". To make round holes with no vibration.

RESISTORS	Price	per	pack of
BRADRAD, CONECUT, etc.			
Bradrad	17.80	RCF 0.25W	.25 .75
Bradrad 2 1/2"	46.20	RCF 1.25W	.34 .91
Conecut 1	5.15	RCF 5W	.34 .91
Conecut 2	8.37	RWW 25W	.57 1.50
Conecut 3	12.50	RWW 5W	.89 1.64
Conecut 4	15.28	RWW 2.5W	1.07 1.93
S&T	24.70	RWW 6W	1.07 1.93
ADEL	9.16	RWW 6W	1.07 1.93
Reamer, small	8.24	2.5 or 6W	1.07 1.93
Reamer, large	9.63		8.66 29.45
Reamer pair	16.07		



ORYX
Solder pots incl. neons, temp. controlled irons Oryx Stand available, but not shown. Oryx 50 thermostat in handle. Desoldering tools, all with nozzle. On right, solder suck at minimum cost.

OVER 400 DIFFERENT CASES IN STOCK - SIZE RANGE OVER 5000:1 IN VOLUME
Prices correct December 77

Send for catalogue

WEST HYDE DEVELOPMENTS LIMITED
Ryefield Cres., Northwood Hills, Northwood, Middx., HA6 1NN
Telephone: Northwood 24941/26732/27051
Telex: 923231 West Hyde Nthwd.



Type (W)	Min	Max	Type (W)	Min	Max	
RCF	12	10	1M	5	OR1	10
RCF	25	447	2M2	2.5	OR5	5K
RCF	5	4R7	2M2	6	OR5	10K
RWW	25	OR1	10			

General film resistors (RCF) together with wirewound resistors (RWW) in low values and wirewound (RWW) available in packs of 25 100 1 000 10 000 only at 12% discount as 100 off plus 25 off.

THE INSTRUMENT

CASE SPECIALISTS

WW - 062 FOR FURTHER DETAILS

MTG. THE NAME TO REMEMBER For
FREQUENCY COUNTERS - TIMERS - STANDARDS - SCALERS.

Special Offer!

- With every 80Mhz Counter Purchased you receive a FREE 520Mhz Scaler. (Limited Until 16-12-77) Price £259,Exc;
- EQUIPMENT TO SUITE APPLICATIONS UP TO **1.2 Ghz**

● Ask for info on our range of **OVENED OSCILLATORS.** From £60.00

Further Details From; **MTG (Instruments) Ltd.**
BEACON HOUSE, Christchurch Road,
Bournemouth, Dorset, TEL 0202 22648

Associated with HOYMITZ AVIONICS Ltd

DG 500 SHOWN

WW - 102 FOR FURTHER DETAILS

NOW — FOR THE MICRO-PROCESSOR USER A LINE PRINTER YOU CAN AFFORD THE I.C.L. 667 BARREL PRINTER

150 lpm x 96 characters: 64 ASCII Character repertoire; Format control: TTL input to hammers and TTL outputs from character and index infra red sensors. Standard 240V Single Phase motors. Attractive Fibreglass case. Size only 28 x 29 1/2 x 12 1/2".
GOOD CONDITION — £62.50 each As New £95 each. Less Hammer Driver Electronics (hence size 13 x 29 1/2 x 12 1/2") £45 each. Carriage all units £3.25.

TEKTRONIX OSCILLOSCOPES
541A with G Plug-in £160. 545 with CA Plug-in £200. 547 Main Frame 581A Main Frame 585 with B2 Plug-in £425. 661 with 4S1 £350.

Stocks of better oscilloscopes always changing. Enquiries please. Plug-in units not sold separately.

SOLARTRON CD1740 DB-3dB 50MHZ. Solid State £375 each.
TEKTRONIX 647 3dB 50MHZ £450.
R & S Audio Freq. Spectrograph BN48301 £650.
MARCONI Sweeper TF1099 £45 each.
MARCONI AM/FM Sig. Gen. TF1066B £350.
R & S POLYSCOPE SWOB1 £450 ea.
MARCONI OSCILLOSCOPE TF1330 15 MHZ £70 each.
TELEQUIPMENT Oscilloscope D33R 6 MHZ £90 each.
H.P. Oscilloscope type 185B £100 each.
ADVANCE MILLIVOLTMETER VM78 £50 each.
WAYNE KERR Universal Bridge £75.
SWEEP GEN/Wobulator CT202 3.70MHZ + £37.50 ea
TEKTRONIX OSCILLOSCOPE type 502 High gain. Limited bandwidth £185 each.
EX-MINISTRY X BAND SPECTRUM ANALYSER CT152 (Marconi TF1035) 8.5GHZ to 9.7GHZ. Power input 115/250V 45.650HZ Pan-climatic £85 each.
J.A.C. ELECTRONICS FREQUENCY METER type 331, HZ to 3 GHZ In and Out £55 each.
MARCONI SIGNAL GENERATORS. Freq. range 10-470MHZ Type TF801D/1/S £280 each.
MARCONI FM/AM MODULATION METER TF2300S. One only. £95.
FM/AM SIGNAL GENERATOR type AN/USM 16. 10 to 420MHZ. Limited quantity £300 each.
MUIRHEAD FREQUENCY ANALYSER D699A £50.
HEWLETT PACKARD OSCILLOSCOPE 175A DC-50MHZ Double Beam £190 with delay amp £220.
BRUEL & KJOER Automatic Vibration Exciter type 1016. Sine Wave sweep from 5Hz to 10KHZ £125 each.
AIRMEC WAVE ANALYSER type 248 £40 each.
POLARAD RECEIVER Model FIM-B2. Complete 1-10GHZ £325.
MARCONI OSCILLATOR TF1101 20HZ-20KHZ. Nice condition. Special price £50.
MARCONI Wide Range Oscillator TF1370. Freq. range 10HZ to 10MHZ. Sine Wave 10HZ to 100KHZ. Square Wave. High outputs up to 31.6V. Good value at £90 each.
MARCONI ADAPTOR TM6113 for TF2700. TF1313. TF8668B £20 each.
AIRMEC 4 trace scope. Type 279. Large screen £95.
MARCONI TF142F DISTORTION FACTOR METER giving percentage distortion on a directly calibrated dial and includes any spurious components up to 30KHZ £29.50 ea.
MARCONI PORTABLE FREQUENCY METER TF1026/11. 100 to 160MHZ. Very fine condition £25. TF1026/4M 2.4GHZ £35 ea.
DECCA NAVIGATOR DISPLAY UNIT. Very impressive £12.50.
COURTENAY MAJOR Mk. 2. 250 joules. 5 outputs. Can be combined 1250 joules. No leads £30.
RHODE & SCHWARZ Turntable Indicating Amplifier UBM £75.
TEKTRONIX 180A Time Making Generator. £55.
RHODE & SCHWARZ POWER METER. BRND-BN 2412/50 £50.
MARCONI RF POWER METER. TF1020A/1.75 ohm £65.
I.C. TESTER by SCHLUMBERGER. Model TCL232 — tests 741 709 etc. Dual in lines, flat packs or TOs £40.
RHODE & SCHWARZ Power Signal Generator BN41001, 100KHZ to 30MHZ £325.
JERROLD SWEEP GENERATOR 900A £165.
TELEONIC SWEEPER SM2000 — many plug-ins available — state frequency required between 0 to 1000MHZ
MARCONI CT44 Watt Meter 0.6 watts £30 ea
MARCONI TF675F Wide Range Pulse Gen. £18 ea
MARCONI TF987/1 Noise Generator £15 ea
EDWARDS HIGH VACUUM PUMPS 1SC30 £50. ES35 £40.
H.P. MICROWAVE CONVERTER type 2590B £250.
R. & S. PHASEMETER BN1941 £45
PRECISION AVOMETER Meeting section 6-BSS 89/1954 eg +/- 0.3% £75 each
R. & S. FIELD STRENGTH METER BN1500 with Antennas 0.1 to 3 MHZ £250.
H.P. UHF GENERATOR Model 612A 450-1230 MHZ £350.
H.P. WAVE ANALYSER type 302A £150.
R. & S. SWEEP GENERATOR BN4242 50KHZ-12MHZ £175 each.
KAY SWEEPER 1.5MHZ-220MHZ CW or Sweep £120.
FURZEHILL Valve Voltmeter V200A £25 each.
POWER UNIT 3KV Stabilised £25 each
FENLOW Low Freq. Analyser 0.3HZ to 1KHZ £75.
REMSCOPE SO1. Basically working — tube good £75.
H.P. FREQ. CONVERTER type 5252B £50.
H.P. VIDEO AMPLIFIER type 5261A 10HZ to 50MHZ £25.
S.T.C. DISTORTION SET 74252B £65.
FEED BACK LTD. Wave Form Gen. Sin/Trap/Saw/Sq. + DC offset £80.
BIRD WATTCHER. RF Power Monitor/Alarm Model 3128. 2 meters. resettable 10W to 500 Watts 19" rack £85.
H.P. VHF DETECTOR type 417A £75.
BROOKFIELD VISCOMETER Model RVT complete with 7 spindles & stand. For 230V 50HZ. As new £275.

EX-MINISTRY OSCILLOSCOPE CT436
Double Beam DC-6 MHZ £120

MARCONI SIGNAL GENERATOR TF801B/3/S
Freq. range 10-470 MHZ
£185

PICK-A-PACK — 50 PENCE A POUND
From our "Pick-A-Pack" area weigh up your own components. No restrictions on what you take.

EX-DYNAMCO Oscilloscopes INVERTERS 30V Input 6KV Output. Size 2" x 4 1/2" x 1 1/2". Complete with circuit £10 each. P&P £1.

MINIATURE — OXLEY PATCH PANELS — BRAND NEW
EX-DYNAMCO. 10 x 10 complete with pins £8 each. P&P 50p.

*TELEPHONES. Post Office style 746. Black or two-tone £6.50 ea. Modern style 706. Black or two-tone grey £4.50 ea. P&P 75p each. Old black style £1.50 each. P&P £1.
*HANDSETS only 706 style £1.75 each. Older style £1. P&P 75p.
TELEPHONE EXCHANGES. Eg 15-way automatic (exchange only) from £95.

SURPLUS — BRAND NEW — REPLACEMENT TUBES FOR DYNAMCO 7100 SERIES OSCILLOSCOPES TYPE BRIMAR D13-51GH Mesh P.D.A. Transistor Scan Wide Bandwidth 60MHZ + Rectangular 6 x 10cm — 1kV EHT x Sensitivity 15V/CM. Y Sensitivity 6V/CM. standard heaters. Length 13 1/4"
THIS IS A MUST AS A SPARE FOR THE DYNAMCO 7100 SCOPE OR IDEAL FOR THE HIGH-QUALITY TRANSISTOR SCOPE BUILDER. At £65 each. Carriage £2.50.
To Tube purchasers only. Numetal Shields at £2.50.

FURTHER STOCKS of the BRIMAR D10-210GH/32
Oscilloscope tube, rectangular 7 x 5cm. Mesh P.D.A. Short 9 1/4" 30MHZ + Sensitivity x 14V/CM. Y 10V/CM. Built-in grille. BRAND NEW. Enables us to sell these at £40 each. P&P £1.75.

PAPST Model 240V available at £7.50 ea. P&P 75p.
PHOTOMULTIPLIER Type 913A £4 ea P&P 75p. Other types available.
*BEEHIVE TRIMMERS 3/30pf. Brand New. 10 off 40p P&P 15p. 100 off £3.50. P&P 75p. 500 off £15. P&P £1.25. 1,000 off £25. P&P £1.50.
LARGE RANGE OF ELECTOSTATIC VOLTMETERS. From 0-300V 2" £3. to 20KV Max. General guide 5KV 3 1/2" £5. Thereafter £1 per KV. P&P 75p.
DON'T FORGET YOUR MANUALS. S.A.E with requirements.
E.H.T. TRANSFORMERS 20KV 2KVA £70 ea
240KV SINGLE PHASE 20KVA Output 2 x 2.5KV £85.
240V SINGLE PHASE 1KVA Output 40KV 25MA. £175.
Many other EFT Transformers and EHT Capacitors available.

PICK-A-PIECE
FROM OUR "PICK-A-PIECE" AREA

*** I.C. Board Pack**
50 I.C.s and other useful components for
£1 P&P 75p.

*** Semiconductor Pack**
Guaranteed full spec. devices make up this pack (No large quantities warrant individual advertising)
50 devices for £1 P&P 40p
Highly Recommended

DYNAMCO DATA LOGGER
NEW REDUCED PRICE
Guaranteed new condition
MUST GO — NEED SPACE
HENCE £35 each

NEW STOCK OF EX-MINISTRY GENERATOR 0-20KHZ
Sinewave output. Metered. 600 Ohms. Size 16 x 10 x 9" deep. Standard mains now at £15 ea.

TRIPODS P&T HEAD £22.50 each

MARCONI VALVE VOLTMETER TF428B £15 ea.

DEC. MODULES
M8357 M7264 M7847BJ
M8655 M7228 MMV11
Prices and other Modules available on application.

*** TRANSISTORS/DIODES/ * RECTIFIERS, ETC.**
Guaranteed all full spec. devices. Manufacturers Markings.
At 5p each
BC147; 2N3707; 2N4403; BC172B; BC261; BC251B; BC348B; BC171A/B; BC413; D10; BC182; BC212; BAX13; 1N937; BA1028E; BZX83; ZTX107; 2N4047; TIS61; 2N5040:
At 10p each
BFX85; 1N4733A; SN7451N; BYX10-1.5KV; 0.36A; BYZ10 15p ea; LM733CN 20p ea. TIP30 20p ea; TIP34A — 50p ea; BD53B — 40p ea; Heavy Duty Bridge Rectifier — 20p ea; TBAB10S — 75p ea; CA3123E — £1 ea; BDY55 — £1 ea; BU104 — £1 ea; 2N3055 — 40p ea.
TBA560CQ £2 ea; 1N4436T — T03 Flat mount 10A 200piv £1 ea; 2N5879 with 2N5881 Motorola 150W Comp pair. £2 pr. BD535 / BD538 Comp. pair — 75p pr.
Linear Amp 709 — 25p ea.
High Speed Voltage Comparator 710 — 15p ea.
P&P Extra on all items.
FINNED HEAT SINK — single T03 — Size 4 1/4" x 3" x 1 1/4" 50p ea. P&P 75p.

DESKS with Punch Reader. Printer and Keyboard. Some ASC. Various models from £200.

1/2" MAG TAPE
Approx. 2,000 ft. NOW 25p each. P&P 10p
Or 5 for £1 carr. £2.75p.

FOR THE VDU BUILDER tube type CME 1220 24 x 15cm at £9 ea. Base connections supplied.

SUPRNB PROFESSIONAL VDU CASES, size 23" x 16" x 15" on stands. Hammer grey. BRAND NEW SCHLUMBERGER Surplus £20 each.

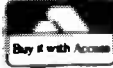
C.D.C. DISK DRIVERS, TWIN E.D.S. £240 each

TELETYPE ASR 33 from £450
TELETYPE KSR33 £325
NON-STANDARD KSR33 eg basic ASC11-20MA loop — but small print 0 to 9 above standard 0 to 9, some of the symbols having been relocated. £250.
TELETYPE 35R0 — no cases. £120 each
TELETYPE 35R0 cased. £180 each
TELETYPE 35R0 cased — with remote electronic keyboard. £370 each.
VITRON PROCESSOR consisting of VDU: twin cassette information. £425. One only
MELCOM 83 System with information. £600.

BACK IN STOCK — CREED 7B TELEPRINTERS
THE CHEAPEST WAY OF GETTING A FULL ALPHA/NUMERIC PRINTOUT FROM YOUR MICRO
Large Ministry purchase enables us to offer these at **£25 each**
In good working condition. Requires 24 volts DC. Requires ASC11/-BAUDOT converter for coupling to your micro-processor. These units are Processor tested before dispatch. Circuits included Adequately packed to guarantee safe arrival for £3.25.

A LARGE QUANTITY OF MISCELLANEOUS TEST GEAR — CHASSIS UNITS, ETC., on view at LOW COST

Minimum Mail Order £2. Excess postage refunded. Unless stated — please add £2.75 carriage to all units
VALUE ADDED TAX not included in prices — Goods marked with * 12 1/2 % VAT, otherwise 8 %
Official Orders Welcomed. Gov./Educational Depts., Authorities, etc., otherwise Cash with Order
Open 9 a.m. to 5.30 p.m. Mon. to Sat.



CHILTMHEAD LTD



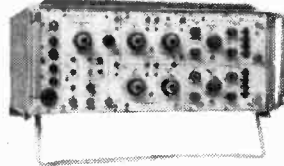
7/9 ARTHUR ROAD, READING, BERKS (near Tech. College, King's Road). Tel. Reading 582605

Electronic

The Test Equipment People

SIGNAL SOURCES

ADVANCE
Signal Generator J4. 10Hz-100KHz 600 ohms impedance. Sine & Square Brand new condition **£135.00**
V.H.F. Square wave Generator SG21. 10 KHz-100MHz Max. o/p 2V **£50.00**
H1E Audio Signal Generator. Sine & Square Wave 15Hz-50KHz. 200V to 20V (Sine). Distortion 1% 1.4mV to 140V (Square) Brand new condition **£75.00**



Type PG59 Pulse Generator 2 Channel, double pulse. Functions: Frequency, Width, Rise & Fall Time, Amplitude, Offset, Delay, Prepulse & Gate. Repetition Freq. 1Hz to 10MHz (20 MHz in double pulse mode). Delay & Width 2.5 nsecs/1sec. Full specification on request **£95.00**

Type SG67A Wide Range Oscillator Freq. Range 1Hz-1MHz Sine or Square. Output Amplitude up to 2.5V. Battery operated. **£95.00**

R.F. Signal Generator 84B7 30KHz-30MHz. Output Z: - 75. Int. Mod. 400Hz. 0-80%. Provision for Ext. Mod. Audio o/p 0-10V at 400 Hz. into 600Ω **£165**

SG68A Low Distortion Oscillator, 1-5Hz-150KHz c/w BE2 battery pack. New condition **£200.00**

AVO
R.F. Signal Generator HF134. 100KHz-240MHz 75Ω. Int. mod. 1KHz @ 30%. Ext. mod. facility **£150.00**

HEWLETT PACKARD
10515A Frequency Doubler. Extends the usable frequency range of signal generators. Operating on input frequencies 0.5MHz to 500MHz it provides a doubled output in the range of 1MHz to 1GHz. The frequency response of this 50 ohm device is very flat ($\pm 2\text{dB}$ typically) over the entire frequency range and undesired harmonics are well suppressed **£75.00**

F.M./A.M. Signal Generator 202H. F.M. A.M. CW & pulse coverage 54 to 216 MHz R.F. o/p 0.1μV-0.2V 50ohms Impedance **£495.00**

612A-U.H.F. Signal Generator 450-1230MHz. 0.1μV-0.5V (50ohms) A.M. Internal & external. Pulse mod. facilities. SUPERB CONDITION **£1250.00**

MARCONI INSTRUMENTS
TF1060 U.H.F. Signal Generator 450-1250MHz. Sine wave and pulse a.m. **£400.00**

Signal Generator TF867. 15KHz-30MHz o/p 0.4μV-4V. Int. & Ext. mod. Supplied with Terminating unit **£185.00**

Solid State Generator 6058B. Freq. range 8-12.5GHz. Int. & Ext. mod. freq. Stab. 0.003%. 50Ω impedance **£530.00**

A.M. Signal Generator TF801D/1S Military version 10-485MHz **£450.00-£800.00**

R.C. Oscillator TF1370A 10Hz-10MHz Square Wave up to 100KHz High Outputs up to 31.6V **£225.00**

Phase/A.M. Signal Generator TF 2003 0.4-12MHz **£150.00**

F.M./A.M. Signal Generator TF 995A/3S. Ministry type No. CT402 1.5MHz-220MHz. R.F. o/p 2μV-200mV. Internal & External Mod. Facilities V good condition **£385.00**

A.M. Signal Generator TF801D/1. Freq. range 10-470MHz R.F. output 0.1μV-1V Piston attenuator. 50ohms Impedance. A.M. Signal Generator TF B01B/3S 12.485MHz. 0.1μV-1V **£195.00**

Signal Generator TF144H/4. Later models in super condition **£500.00 to £650.00**

MF/HF Signal Generator TF2002. 10KHz-72MHz. 100% A.M. depth Int. A.M. Variable from 20Hz to 20KHz R.F. o/p. 0.1μV to 2V Solid State **£675.00**
AM/FM Signal Generator TF995B/2 **£675.00**

MARCONI-SANDERS

Microwave Sweep Generator type 6600A c/w 6619 plug in 1.7GHz-4.2GHz **£2,500.00**

MUIRHEAD L.F. Decade Oscillator D880A. 2-phase 0.01Hz-11.2KHz **£225.00**

Decade Oscillator D890D. 1Hz-11.2KHz **£260.00**

PHILIPS

PM5501 Colour bar generator. Extremely light and compact instrument for mobile maintenance, 5 different test patterns for colour and black/white TV installation and service. R.F. output signal switchable. VHF, Band III and UHF Band IV. 1KHz tone for sound performance checks (sine wave) **£165.00**
50MHz Pulse Generator PM5712 **£495.00**

Pulse Generator PM5775 **£800.00**

Pulse Generator PM5776 **£900.00**

L.F. Generator PM5105. 10Hz-100KHz. Sine & Square Wave 2V(R.M.S.)

Stabilised o/p. Low Distortion: <0.8% (10Hz-100KHz) **£156.00**

DIGITAL VOLTMETERS AND MULTIMETERS

AVO

Test leads **£4.00**

Multimeter Mk 4 c/w carrying case and leads **£14.00**

Model 7x **£40.00**

Heavy Duty Mk 5 (with case) **£40.00**

AVO Model 8 Mk. III and 'BX' **£53.00**

AVO Model 9 or Test Set No 1 **£55.00**

DYNAMCO

Digital Voltmeter DM 2023 c/w DC ranging unit C1. Scale 99999 0.001%

F.S.D. DC Accuracy 10μV-1Kv DC **£450.00**

HEWLETT PACKARD

DVM type 3430A 3 digit 5 ranges 100mV to 100V. FS input resistances 10Mohms

Overload protection **£145.00**

Digital Multimeter 34702A with Display 34740A. 4 digit display. 4 ranges both AC & DC plus 6 ranges of ohms AC function covers 45Hz to 100KHz. Ohms ranges are 100ohms to 10Mohms FS LED display. New condition. A full specification device still in current production **£400.00**

PHILIPS



PHILIPS

Electronic Analogue Multimeter PM2503 DC & AC Volts, 100mV-1KV f.s.d. Resistance 100 ohms-10M Ohms. DC & AC Current 1μA-1A f.s.d. **£90.00**

SIGN/ROGERS

A.F. Voltmeter AM324 **£50.00**

SOLARTRON

A.C. Converter LM1219. 30mV-300V mean reading. Freq. range 10Hz-10KHz **P.O.A.**

D.C. Digital Voltmeter LM1420.2 2.5μV-1Kv in 6 ranges. $\pm 0.05\%$ DC accuracy **£235.00**

D.V.M. Type LM1420.2Ba. DC, true R.M.S. and mean AC sensing. Accurate measurement irrespective of harmonic distortion accuracy $\pm 0.25\%$ Freq. 20Hz-20KHz **£350.00**

DVM Type LM 1440.2 10μV-2Kv DC 5 ranges. Oven controlled zenerdiode. Accuracy $\pm 0.033\%$ FSD $\pm 0.005\%$ reading **P.O.A.**

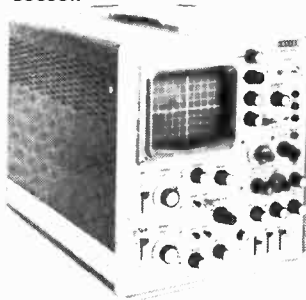
D.V.M. LM1480.3 Autoranging version of LM 1440.3 Max reading 39999 5μV-2KV DC. Full spec. on request **P.O.A.**

D.V.M. LM 1604 DC only 1μV sensitivity. 0.01% accuracy. Max reading 19999 1μV-1KV Remote and Autoranging 110dB series mode reject on. No common Mode error **P.O.A.**

D.M.M. 7050 (Autoranging) **£245.00**

OSCILLOSCOPES

COSSOR



Dual Trace Scope 4000. 50MHz 7nsec Rise Time 5mV/cm sensitivity. Calibrated sweep delay. Gated trigger. X-Y display 8 x 10cm display **£495.00**
200μV/cm. Scope 130C 500KHz bandwidth. Identical X and Y amps. X2 to X50 sweep mag. **£205.00**

MARCONI INSTRUMENTS

40MHz TF 2200 series supplied with 3 plug ins.

V12. TM 6455 (single trace) **£250.00**

TM 6456 (dual trace) **£250.00**

TM 6457 (TV diff) **£250.00**

Full specs. on request 6 MONTH WARRANTY **£250.00**

PHILIPS

PM6507 Transistor Curve Tracer. Solid State CRT - 10 x 12cm. Full spec. on request **£475.00**

PROBES

X1 Part No. 90 **£7.00**

X10 Part No. 91 **£9.00**

X1 & X10 (switchable) Part No. 95 **£11.00**

SOLARTRON

CD1740 50MHz Scope System c/w CX1741 & CX1744. Dual Trace, DC-50MHz 10 x 8cm display. Sensitivity 5mV/cm to 20V/cm. Delayed sweep, Solid State **£485.00**

Portable Scope DC-6MHz Double Beam CT436 **£105.00**

TEKTRONIX

DC30MHz Oscilloscope 545A c/w CA & L Plug-ins **£445.00**

TELEQUIPMENT

Type 485 350MHz Portable. Dual Trace. 5mV/div. 1nsec/div sweep rate. Delayed sweep. Auto focus, variable trigger hold off 50 ohms internal input protection **£3,250.00**

Type 549 (Mainframe) DC-30MHz Bistable split screen storage. Automatic Erase. 5cm/μS writing speed. Calibrated sweep delay. Various plug-in units available **£750.00**

Type 551 DC-27MHz. Main frame and power supply. Various plug-in units available **£450.00**

Type 564B (Mainframe) Storage Oscilloscope. Various plug-in units available **£750.00**

TELEQUIPMENT

Rack Mounting Scope S54AR. Fitted with P7 long persistence CRT. Single trace. DC-10MHz 10mV/cm. Unused condition **£205**



49-53 Pancras Road
London NW1 2QB

ADD 8% VAT
TO ALL PRICES

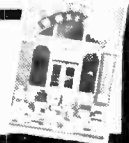
Tel: 01-837 7781. Telex: 298694

Brokers Ltd



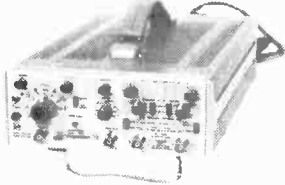
49-53 Pancras Road,
London NW1 2QB
Tel: 01-837 7781

New Catalogue just
out. Send for your
copy now — POST
FREE



SCOPE TEST EQUIPMENT

Time Mark Generator 184 £275.00



5nsec Pulse Generator Model 2101 c/w
loads and connectors £575.00
Time Mark Generator 2901 £450.00
Pulse Generator Model 110 £95.00

TRANSMISSION TEST EQUIPMENT

AIRMEC/RACAL
Wave Analyser 248A 5-300MHz
£250.00-£300.00
Wave Analyser 248 Freq range 5MHz-
300MHz £145.00
Modulation Meter 409 £295.00
Type 210A Modulation Meter 2.5-
300MHz, AM Range 0-100% FM Range
0 to ±100KHz in 4 ranges
£185.00-£245.00

GENERAL RADIO
Type 1900A Wave Analyser c/w Graphic
Level Recorder 1521B
Spec: 1900A 20Hz-50KHz 3
bandwidths 3, 10 and 50Hz Tracking
averages 30mV-300V F.S.D. Input
impedance 1M ohm 3 meter speeds
Spec: 1521B 4.5Hz-200KHz 1 mV
sensitivity Linear dB plot of r.m.s. ac-
voltage level 20, 40 or 80 dB range
£2,000.00

HEWLETT PACKARD
Sweeping Local Oscillator 3595A Plug-in
for use with 3590A Wave Analyser Freq
range 20Hz to 620KHz £650.00

MARCONI INSTRUMENTS
Distortion Factor Meter TF142F
Fundamental Freq Range 100Hz-8KHz
Dist measuring ranges 0-5% 0-50%
Measures all spurious components up to
30KHz £60.00-£80.00

RADIOMETER
Wave Analyser FRA 2 T3 Special version
of FRA 2 with facilities for Intermodulation
measurements and selective
measurements of frequency responses
Freq range 30Hz to 16KHz incremental
freq. 0Hz to ±60Hz Selectivity 3 curves
with following 1dB points +1.25Hz
±12.5Hz ±63Hz Voltage range 100µV-
1KV. Auxiliary Oscillator Range 0Hz to
1.6KHz and 1.5 to 1.6KHz o/p — 10V
(EMF) continuously variable impedance 1
Kohms 16µF £275.00

BRIDGES

AVO/BPL
Type CZ457/5 Component Comparator.
Used for testing or calibrating resistors,
capacitors and inductors £245.00

MARCONI INSTRUMENTS
TFT245 CCT Magn. Meter c/w Oscillator
TF1246 £685.00

WAYNE KERR
COMPONENT BRIDGE B521 (CT375)
Resistance 10 ranges from 1M ohm to
1000M ohm Capacitance 10 ranges
from 50µF to 500pF Inductance 10
ranges from 1µF to 500 KH Capable of
measuring components in situ £105.00
Universal Bridge B221A (CT530) 0.1%
Accuracy. Measures R, G C & L. Mains
operated £275.00
Low Impedance Adaptor Q221A for use
with above £75.00

FREQUENCY COUNTERS

ADVANCE
Counter TC16 5Hz-80MHz. 5 digit
£110.00

Timer Counter TC14 9 digit Display
storage DC — 250MHz Time limits
selectable 0.1µs-100s. Multiple period
average 10-10 Sensitivity 10mV.
100mV, 500mV. Overload protected
£475.00

Timer Counter TC15 9 digit with storage
and plug-in capability. DC — 250MHz.
Spec. similar to TC14 £585.00
Plug-In Unit TC15 P1. 1MHz-500MHz.
10mV-1V. Full 500MHz display with 1Hz
resolution in only 2 secs £200.00
Timer Counter TC17A 6 digit. DC to
80MHz Gate times 10µs to 10s in decade
steps Sensitivity 25mV (r.m.s.) sine
wave Overload protected £290.00
Timer Counter TC22. Measures —
Frequency DC — 100MHz. 6 digit. Time,
period, period average, count, totalise,
pulse width, ratio. £300.00
Type TC18 Time Counter Freq.
measurement 10Hz-512MHz 6 digit LED
display UNUSED CONDITION £275.00

FLUKE
Industrial Counter Totaliser 1941A. 5Hz-
40MHz 40mV sensitivity R.P.M.
measurement £150.00

VENNER
3MHz Freq. counter TSA 6674 £80.00

RACAL
Frequency Period Meter 5Hz-10MHz
9520. Period Average measurements
£110.00

Universal Counter Timer 983B
Measuring functions: — Frequency,
Single and multi period. Ratio and
Multiple ratio. Time interval — single line
and double line totalising. 10 Hz to 100
MHz Frequency. 10 Hz to 5 MHz Period.
1µs to 10' sec. Time change £285

VOLTMETERS

BOONTON
R.F. Voltmeter 91 C. Measurement range
1mV to 3V. Frequency range: 20 KHz to
1200 MHz (with T Adaptor supplied).
Supplies also with R.F. probe and tip and
50Ω termination. Weight 12 lbs. £455

BRUEL & KJAER
Heterodyne Voltmeter 2006. For
measurements of voltage, frequency and
modulation factor AM and FM. High
impedance FET probe 50Ω termination
and 60 dB attenuator included. Sensitivity
500V — 50V F.S.D. 100 KHz to 230
MHz Built in reference voltage and
loudspeaker for identification
Electronic Voltmeter 2409 True R.M.S.
Average and Peak 2Hz to 200KHz.
Sensitivity 10mV — 1kV £250

FLUKE
DC Differential Voltmeter 891A Input
ranges, 1, 10, 100, 1000V. DC with
10% overranging. Infinite input resistance
0.1100V. Absolute accuracy ± 0.01% of
input. 1 mV full scale Null Sensitivity
Resolution 1 ppm of range £395

GENERAL RADIO
Electronic Voltmeter 1806A AC DC 9
Resistance ± 2% accuracy. Wide
frequency range — up to 1500 MHz
£175

HEWLETT PACKARD
R.F. Voltmeter 3406A 20µV sensitivity —
average response 1 mV sensitivity 1 mV
— 3V F.S. 8 ranges 10KHz — 1.2 GHz
£485

RHODE & SCHWARZ
Selective Microvoltmeter USVH BN
1521 10 KHz — 30 MHz 0.2 V — 1V
F.s.d. of lowest range 1 V £675

MISCELLANEOUS

ADVANCE
Digital Panel Meters. DPM 102, 103,
112P, 201, 204, 301, 302, 303, 306,
343 Price and specs. on application

AVANTEK
Unit Amplifier Type UF 101 Gain control
modules designed for use with UA
amplifier or other systems. Weight ½oz.
50Ω impedance. Frequency response 10-
500MHz £150
Unit Amplifier Type UA 103. Frequency
response 10-500MHz 10-70dB of gain
by cascading modules. 50Ω impedance
£50

Unit Amplifier Type UA 301 Frequency 1
to 400MHz Nominal gain 7dB £75
Unit Amplifier UA 305 2-400MHz
Response Nominal gain 13 dB £100
Full specs on the above devices available
on request

BIRD
Coaxial Resistor 8053 10W RF coaxial
load resistor £20.00
Wattmeter Termaline 6B35 3 ranges 0-
120 / 0-600 / 0-1200W 30-500MHz
£425.00

Wattmeter Termaline 67 3 ranges 0-25 /
0-100 / 0-500W / 30-500MHz £265

BRUEL & KJAER
Random Noise Generator 1402 £250.00
Automatic Vibration Exciter 101B £495

CAMBRIDGE
AC/DC Resistance Box. 5 decade £70.00

GENERAL RADIO
Standard Frequency Multiplier 1112A

Standard Frequency Multiplier 1112B

Price & specs. on application

HEATHKIT
Distortion Meter 1M-12U £40.00

MARCONI INSTRUMENTS
R.F. Power Meter TF1152/1 £75.00

R.F. Power Meter TF1152A/1 £80.00

Cogr Gain and Delay Test Set TF2904
625 line £505.00

R.F. Power Meter TF2502 3 and 10 watt
ranges DC-1GHz £355.00

L.F. Extension Unit. TM6448 for use with
OA 1094A series £200.00

RHODE & SCHWARZ



VHF Field Strength Meter HFV 25-
300MHz in 1 band. Measurement range
100dB (µV) 50 ohm impedance £1,750
Standard Stereodecoder MSDC BN4193
£850.00

Polyscop I £950.00

Selektomat USWV £800.00

Frequency Indicator FKN £475.00

Type MSDC Standard Stereodecoder
30Hz-15KHz £850.00

Type MSC Stereodecoder BN4192/2
£1,250

RECORD
Chart Recorder — 500 µA Movement 1in.
& 6in. per hour £70.00

WAVETEK
Programmable Phase Meter 775 £795

END OF YEAR SPECIAL ★ OFFERS ★

Quantities of these equipments at bargain
prices available on short delivery until
31st December, 1977

OSCILLOSCOPES

MARCONI
TF2203 Single Beam DC-15MHz £120

TEKTRONIX
531A c/w CA Plug-In DC-13MHz. Dual
Trace £175.00

533A c/w CA Plug-In DC-13MHz. Dual
Trace £185.00

535A c/w CA Plug-In DC-13MHz. Dual
Trace £200.00

545 c/w CA Plug-In DC-24MHz £225

OSCILLATORS

ADVANCE
J1A 15Hz-50KHz £40.00

MARCONI
TF1101 20Hz-200KHz £85.00

AF POWER METER

MARCONI
TFB93A £150.00

AF ATTENUATOR

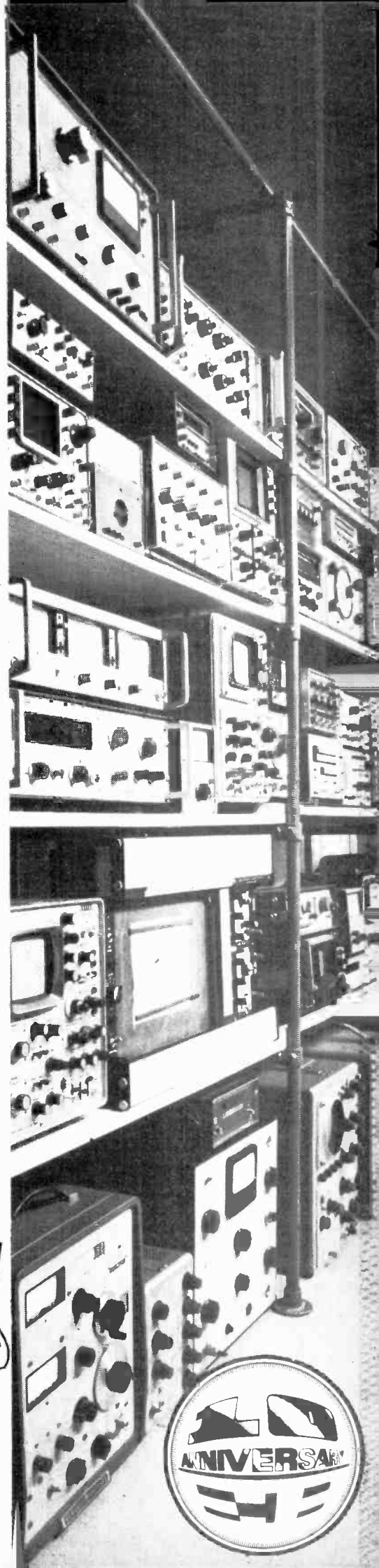
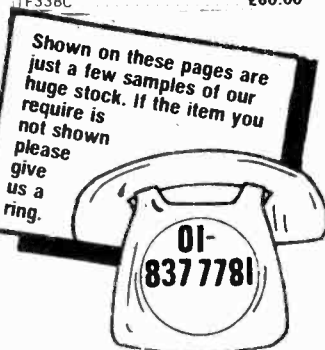
MARCONI
TF338C £60.00

Carriage and packing
charge extra on all
items unless otherwise
stated

Hours of business: 9a.m.-5p.m. Mon.-Fri. Closed lunch 1-2p.m.

Please note: All instruments offered
are secondhand and tested and
guaranteed 12 months unless
otherwise stated

www.americanradiohistory.com

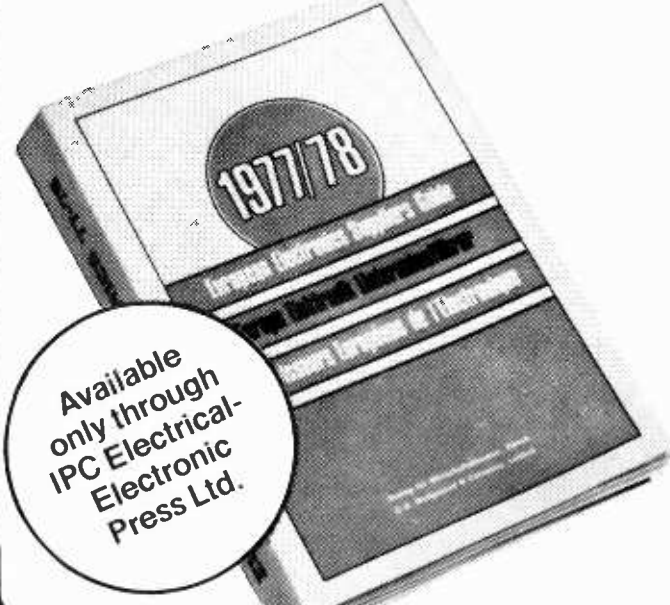


VALVES				PLUMBICON TUBES TYPE XQ.1020R Mullard—£150 each				TF 801D/1/S SIGNAL GENERATOR. Range 10-485MHz in 5 ranges R/F output 0.1 V-1V. Source C.M. 50Ω output impedance. Internal modulation at 1KHz up to 90%.			
								TF 801B/Z. Spec as for 801D but minor circuit differences. Few only left £150.			
								TF 925A/1 or A/2 or A/ZM or A5 SIGNAL GENERATORS. Very high class AM/FM 1.5MHz to 220MHz. Detailed spec. and price on application.			
TF 995/35 with additional amplifier to give extra high output between 1.5 and 6 Mc/s TF 1400S DOUBLE PULSE GENERATOR WITH TM 6600/S SECONDARY PULSE UNIT. For testing radar nucleonic scopes counters, filters etc. SPEC. TF 1400S. Rep freq 10Hz to 100kHz, pulse width 0.1 to 100μ sec, delay -1.5 to +300μ sec, rise time 30N sec SPEC. TM 6600/S. As for TF 1400S except pulse width 0.5 to 25μ sec, delay 0 to +300μ sec. £230.											
TF 144 H SIGNAL GENERATOR HIGH FREQUENCY SPECTRUM ANALYSER. MARCONI TYPE 1094A/S. Basic Freq range 3 to 30 Mc/s and with LF unit from 100Hz to 3MHz. Measures relative amplitudes up to 60dB TF 934 DEVIATION METER. 250MHz TF1041 B VALVE MULTIMETER. DC voltage from 300mV-1000V. AC voltage from 300mV to 300V up to 1.000MHz TF1370 R.C. OSCILLATOR FOR SQUARE & SINE WAVE. Freq -31.6V rms 10Hz-1MHz square wave 0-73.2pp 10Hz-100kHz. Attenuator range -50dB to +10dB Impedance 75 100 600Ω £145.											
SIEMENS LEVEL OSCILLATOR TYPE REL 3W518. Frequency from 10KHz to 17MHz. Modulation is external, output from +10dB to -60dB in 8 steps and in continuance with wobble step generator. Imp output 150 145, 135, 75, 65 ohms LEVEL OSCILLATOR TYPE REL 3W29. Frequency from 0.3 to 1200Kc/s. Mod ext output from +15dB to -60dB Impedance output 75 140 600 ohms SPECIAL VALVES BR189 250.00 M503-J242 65.00 K301 7.00 KRN2A 6.00 725A 25.00 2J/52A 75.00 CV2339 45.00 CV5228 17.50											
VAT FOR TEST EQUIPMENT 8% PLEASE ADD 8% PLEASE SEND STAMP WITH ENQUIRIES VALVES AND TRANSISTORS Telephone enquiries for valves, transistors, etc retail 749 3934, trade and export 743 0899											
RHODE & SCHWARZ Zg DIAGRAPH TYPE 20U 30-4200MHz 50Ω Directly measures multiterminal networks, phase shift, phase angle with complementary POWER SIGNAL GENERATOR TYPE SMLM high freq resolution, internal external mod. up to 3V out FREQUENCY SYNTHESIZER TYPE XUA. 30Hz-30MHz with FREQUENCY INDICATOR TYPE FKM 15-30MHz 3D-100MHz UHF SIGNAL GENERATOR TYPE SMLM from 30 to 303MHz UHF SIGNAL GENERATOR TYPE SLSD from 300 to 300-340MHz FREQUENCY INDICATOR TYPE FKM from 30 to 1 000MHz UHF SIGNAL GENERATOR TYPE SDR from 300 to 1000MHz in 8 ranges Prices on application											
TEKTRONIX SAMPLING OSCILLOSCOPE TYPE 661 with plug-in type 451 dual trace sampling unit and probes 545A. Bandwidth DC to 30MHz (3dB down at 30MHz) ± ½dB depending on plug-in unit. Specification and price on request 570 CHARACTERISTIC CURVE TRACE 517A OSCILLOSCOPES wide band high voltage cathode ray oscilloscope designed for observing and photographically recording wave form having extremely short rise times REDIFON 88B TRANSISTORISED TRANSCIEVER GR410. 2-16 c/s. 200-250V. 4 channels 100W p.c.p. DANA EXACT FUNCTION GENERATOR MODEL 121. Frequency range 0.2Hz to 2MHz (7 ranges), voltage controlled to 10V sweep generator 1ms to 10 sec TEXSCAN ELECTRONIC SYSTEM ANALYZER MODEL 9990. Frequency range 10MHz to 300MHz with market controls FURZEHILL SENSITIVE VALVE VOLTMETER TYPE V200A. Full scale from 10mV to 1000V in 6 steps with output amplifier TRAINING SET for Radio Operators with 10 key terminals and control frequency and volume TRANSMITTER RECEIVER. Transmitter Type M9 receiver Type M17 with fixed frequency (X-tal 37, 40 or similar MHz) TEST SET FT2 for testing Transceivers A40 A41 A42 and CPR26 UNIVERSAL WIRELESS TRAINING SET No 1 Mk 2 YA B316 to train 32 operators simultaneously on key and phone. Complete installation consists of 3 kits packed in 3 special transit cases HARNES "A" & "B" CONTROL UNITS "A" "R" "J1" "J2." Microphones No 5 6 7 connectors, frames carrier sets etc											
COLOMOR (ELECTRONICS LTD.) 170 Goldhawk Rd., London, W.12 Tel. 01-743 0899 Open Monday to Friday 9-12.30, 1.30-5.30 p.m.											

Send for your copy now!

EUROPEAN ELECTRONICS SUPPLIERS GUIDE

- Companies classified by country
- Products and manufacturers
- Trade associations
- American firms in Europe



The second edition of this valuable three-language (English, French and German) directory gives details of 2,800 firms, including 130 from Eastern Europe. 880 products are grouped into 26 chapters, covering cables, components, computers, materials, production equipment and 21 fields of specialised application from aerospace to underwater engineering. Comprising 730 pages (A5 format), the new edition includes cross-referencing from products to manufacturers and—from the first time—from firms to products. Special attention has been paid to the indexing which is separate for each of the three language sections. European Electronics Suppliers Guide is published jointly by Verlag Fur Wirtschaftsliteratur GmbH (Zurich) and C. G. Wedgwood & Co. (London) and is available only through IPC Electrical-Electronic Press Ltd £18.50 including postage and packing.

To General Sales Department, Room CP34
 IPC Electrical-Electronic Press Ltd
 Dorset House, Stamford Street, London SE1 9LU, England
 Please send me _____ copy/ies of European Electronics Suppliers Guide at
 £18.50 each UK, \$49 USA, 100 Swiss Francs elsewhere
 I enclose cheque / International Money Order for _____
 Payable to IPC Business Press Ltd

Name (please print) _____

Address _____

Company registered in England No 677 128 and a subsidiary of
 Reed International Ltd, Regd office Dorset House
 Stamford Street London SE1 9LU
 I enclose cheque International money order for £

Available
 only through
 IPC Electrical-
 Electronic
 Press Ltd.

Electronic Brokers The Computer People

**STOP
PRESS**

Just received —
large quantity of
top quality
computer flooring.
Bargain Price,
installation
available.

Keyboards
LARGE STOCKS OF A WIDE
RANGE OF KEYBOARDS
ALWAYS AVAILABLE



K88 REED-SWITCH KEYBOARD

- ★ 78 Station ASC11 Keyboard including separate numeric cluster, cursor control keys, and 6 special function keys
- ★ Standard TTL logic
- ★ Power requirements +5V @ 100mA and -12V @ 4mA
- ★ 8-bit ASC11 code (including parity) providing full 96-character set with upper and lower case outputs
- ★ negative strobe with 4 0 ms delay

Overall dimensions 16½ × 7¼ × 2", supplied complete with full technical data and circuit diagrams.

PRICE: £55.00 + £1.25 p&p + 8% VAT (Send £60 75)

DXS-CRT 96 station ASC11B-coded TTL-compatible 4 bank alphanumeric keyboard, 8-bit code upper and lower case alpha output plus separate numeric pad. Delayed strobe and 2-key rollover. Mounted in attractive box overall dimensions 20½ × 7¼ × 3½".

PRICE: £65.00 + £3 carriage + 8% VAT (send £73 44)

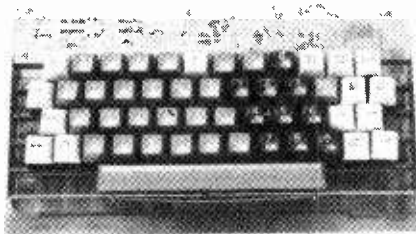
55SW3-1 54-station BCD-coded 4-bank alphanumeric keyboard. Hall-effect switches, input +5VDC negative logic and strobed output, two-key rollover. Set in attractive panel incorporating 5 indicator lamps and on/off switch. Dimensions 15½ × 5½ × 2¼".

PRICE: £39.50 + £2 P&P + 8% VAT (send £44 82)

18-KEY PUSH-BUTTON CALCULATOR KEYBOARD

Numerals 0-9 decimal point C K + - × ÷ = Mounted on PCB overall dimensions 5½ × 4¾ × 1½"

PRICE: £4.00 + 50p P&P + 8% VAY (send £4 86)



HONEYWELL KEYBOARDS

4-bank alphanumeric ex-equipment keyboards, 50 keystations, diode-encoded, 7-bit positive logic, positive strobe. TTL/DTL-compatible. Power requirements 5V 100mA. Layout similar to IBM 029 Price £25.00 + £1 P&P + 8% VAT (Send £28 08).



Mini-Computer Exchange

DEC PDP8E SYSTEM

● 8K Processor ● KC8EA Programmer's Panel ● KL8M and KL8JA Serial Interfaces ● RK8E Disk Control ● 2 x RK05-BB Disk Drives ● Mounted in 4ft. cabinet complete with power supply.

DEC PDP8E SYSTEM

● 8K Processor ● PC8EA High Speed Reader/Punch ● KL8E Serial Interface ● 3 x DF32 Disk Drives ● AFC8 A/D Converter.

DEC PDP8I SYSTEM

● 8K Processor ● 680-1 64-line communication system ● DF32 Disk Drive and Control

DEC PDP8L SYSTEMS

4K and 8K Processors available.

DEC PDP11/04 SYSTEM

● 32K Processor ● Serial Interface ● Real Time Clock ● Parity Control.

DEC PDP11/40 SYSTEM

● 32K Parity Memory Processor ● Serial Interface ● Real-time Clock.

DEC PR8E

High Speed Paper Tape Reader, complete with Interface

DEC AF01

Analog-Digital Converter and Multiplexer (rack-mounting unit)

SPECIAL CLEARANCE OFFER!

DEC DF32

Disk Drive and Control. ONLY £695.00.

DEC DF32

Expander Disk Drive. ONLY £495.00.

DEC PDP8E and PDP11 OPTIONS

● KK8E Processor module sets ● MM8E 4K Memory stack ● MM8EJ 8K memory stack ● KM8E Memory extension and time-share module ● OK8E Real Time Clock ● KA8E Positive Bus Module ● KO8E Oatabreak module ● KP8E Power fail module ● KE8E Extended Arithmetic element ● KL8E Teletype Interface ● KL8JA OEWriter Interface ● BM792YL Bootstrap Loader ● DR11C General Purpose Interface ● DL11 Serial Interface ● RX11 Unibus Interface ● RK05 Disk Packs (hardly used).

DEC PDP8I, PDP8L, PDP12 Modules
Large stocks available — let us know your requirements.

DEC TU10

Magnetic Tape Deck in 6ft. cabinet.

DEC PR11

High-speed Paper Tape Reader complete with POP11 interface.

DEC POWER SUPPLIES

Large stocks available.

DEC RK8E/RK05

Disk drive and control.

Printers and Terminals

LARGE STOCKS OF ASR33 AND KSR33 TELETYPE TERMINALS

- ★ ASC11 Keyboard
 - ★ Hard-copy unit (friction or sprocket paperfeed)
 - ★ Paper Tape punch and reader (ASR33 only)
 - ★ Line Unit (20mA/6V/80V)
- Overhauled in our own workshops to the highest standards and sold with 90-day warranty. Prices from £425 (KSR33) and £625 (ASR33).

Also available:
DATA DYNAMICS OD390, ASR and KSR terminals with acoustic covers.

CENTRONICS 102A twin-head printer

132 print positions, 330 cps 9 × 7 dot matrix

DIABLO Hi-type 1 daisy-wheel printer 30 cps (BRAND NEW, and offered complete with interface module for Data General processor)

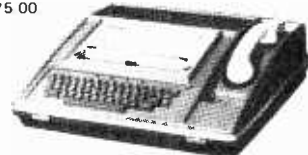
TEKTRONIX 611 Storage Display

11" CRT XY input, stored resolution 400 × 300 line pairs

COSSOR OIOS 401-2A and 402-2A visual display units, 13 lines of 80 characters, 600/1200 baud rate, modified ASC11 code.

IBM 731 and 735 INPUT/OUTPUT WRITERS

10 pitch golfball, BCO or correspondence coding, 11in or 15in. platen. Max op. speed 15 cps. PRICES FROM £275 00



TEXAS SILENT 700 KSR TERMINALS

ASCII Keyboard, silent high-speed operation up to 300 baud, 5x7 dot matrix print-head, full or half-duplex operation. Portable and desk-top models available at prices from £700 00

PAPER TAPE EQUIPMENT FACIT 4070

High-speed punch, BRAND NEW in original packing complete with accessories. £950 00

Also available: FACIT 4060

and 4001 Punches and Readers: Teletype BRPE High-speed electromechanical punches, Elliott medium and high-speed table-mounted readers

SCOOP — up to 45% OFF manufacturer's list prices



HAZELTINE 1000

Compact terminal providing 12 line by 80 character display (960 chs.), full/half Duplex, MOS-shift register memory with constant refresh. Underline cursor

New List Price £900.

NEW LOW PRICE £495

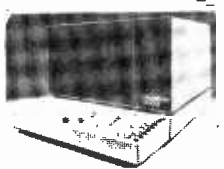
**Exclusive Purchase from
Hazeltine —
World Leaders in CRT
Terminals**

- ★ Teletype-compatible ★ 12" Diagonal Screen ★ TTY Format Keyboard ★ 64 ASCII Character Set ★ 5 x 7 Dot Matrix ★ Switch-selectable Transmission Rate up to 9600 baud ★ Switch-selectable Parity ★ Standard CCITT V.24 Interface

HAZELTINE 1200 All the features of the Model 1000 but with double screen capacity of 1920 characters (24 lines of 80). Reverse block image Cursor.

New List Price £941.

OUR PRICE £725.00



HAZELTINE 2000

Superb buffered terminal with full edit facilities. 1998 character capacity (27 lines of 74), detachable ASCII keyboard including 10-key numeric pad and 13-key edit/cursor control cluster. Selectable transmission full/half Duplex or batch

New List Price £1649.

OUR PRICE £895.00

**ALL UNITS FACTORY-REFURBISHED TO AS-NEW STANDARD AND COVERED BY 90-day warranty
ELECTRONIC BROKERS LIMITED (Computer Division)**

49-53 Pancras Road, London NW1 2QB. Tel. 01-837 7781. Telex: 298694

Hours of business:
9 a.m.-5 p.m. Mon.-Fri. Closed lunch 1-2 p.m.

ADD 8% VAT
TO ALL PRICES

Carriage & Packing charge extra
on all items unless otherwise stated

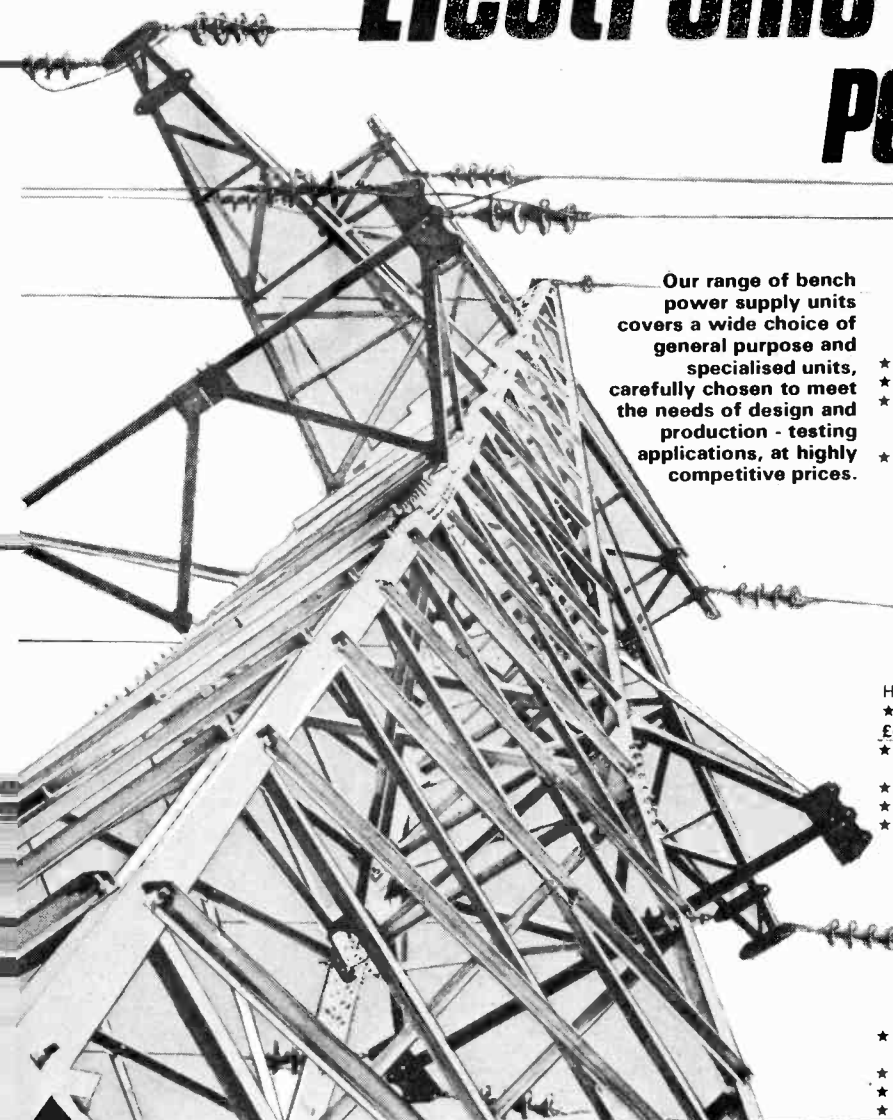
WW-98 FOR FURTHER DETAILS

www.americanradiohistory.com

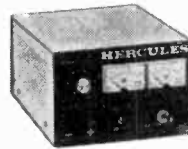


Electronic Brokers Ltd

POWER IN PLENTY!



Our range of bench power supply units covers a wide choice of general purpose and specialised units, carefully chosen to meet the needs of design and production - testing applications, at highly competitive prices.



"Hercules" P.G. 312

- ★ 10-15 V @ 12A maximum.
- ★ Ripple less than 10mV.
- ★ Stability 0.3% for 10% mains variation, or zero to 100% load current change.
- ★ Short-circuit protected PLUS automatic cut-out. **★ £65.00**



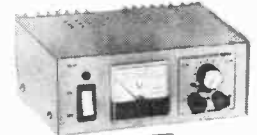
P.G. 160N

- ★ 0-25V @ 5A.
- ★ Constant current, or constant voltage, with floating output.
- ★ Ripple, less than 10mV.
- ★ Stability, 0.2%.
- ★ Full short-circuit protection. **★ £59.50**



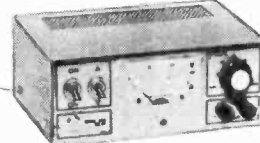
H.S. 73 & 76 Series

- | | | | |
|------------|-----------------|------------|-----------------|
| H.S. 73-15 | ★ 0-150V @ 3A | H.S. 73-40 | ★ 4-40V @ 2A |
| | ★ £47.50 | | ★ £49.50 |
- ★ Constant current, or constant voltage, with floating output.
 - ★ Ripple, less than 2mV.
 - ★ Stability, 0.02%.
 - ★ Full short-circuit protection, no transients on switch on/off.



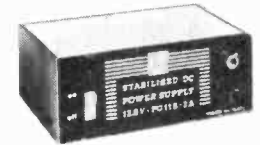
P.G. 76

- ★ 6-14V @ 2.5A.
- ★ Ripple, less than 3mV.
- ★ Stability, 1%.
- ★ Short-circuit protection. **★ £22.00**



P.G. 77

- ★ 3-15V @ 2.5A maximum (80% duty cycle).
- ★ Ripple, less than 10mV.
- ★ Stability, 0.1%.
- ★ Short-circuit protection. **★ £29.50**



P.G. 116

- ★ 12.6V @ 2A.
- ★ Ripple, less than 2mV.
- ★ Stability, 1%.
- ★ Short-circuit protection. **★ £15.95**

Send for leaflet giving details of full range of power supplies.

Sirobes, Tachos, Meters, Generators and Telecommunications Test Equipment

NEW FUNCTION GENERATORS!



G.430 (Illustrated)

- ★ Frequency: 1 Hz to 1 MHz
- ★ Output: Sine-wave, 0-10V r.m.s. from 600.
- ★ Square-wave 0-20V p.p. from 600
- ★ 0-60 dB step attenuator.

£95.00

G.432

- ★ Frequency: 1Hz to 1.1 MHz.
- ★ Sine, square and triangle.
- ★ 5V from 0-60 dB 50 attenuator.
- ★ Also simultaneously 10V from three independent 600 outputs.
- ★ D.C. offset.

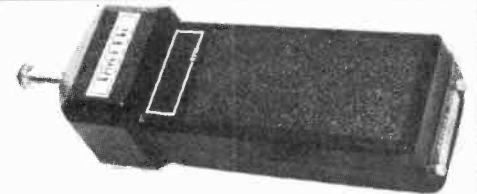
£115.00

"TAKETTE" DIGITAL TACHOMETER MODEL 1704

- ★ 0-19,999 r.p.m.
- ★ 5 digits
- ★ Optional wheels for linear speed-ft/sec or decimetres

Complete with leather carrying case

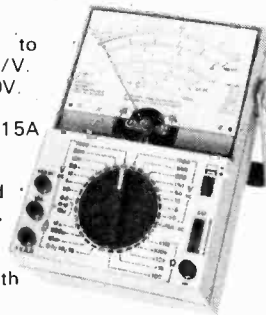
£105.00



NEW WIDE-RANGE MULTIMETER UM.11

Features 38 colour-coded ranges with high input impedance

- ★ D.C. Volts, 150mV to 1500V f.s.d. at 100KΩ/V.
- ★ A.C. Volts, 1.5 to 1500V f.s.d. at 31.6KΩ/V.
- ★ D.C. Current, 10μA to 15A f.s.d.
- ★ A.C. Current, 15A.
- ★ Mirror-scale, rugged taut-band suspension, dB scale, diode and fuse protection.
- ★ Supplied complete with test leads and leather carrying-case.



£39.50

"STROBETTE" STROBOSCOPE TACHOMETER MODEL 964

- ★ 200-6000 flashes/minute
- ★ Directly calibrated in r.p.m.
- ★ Xenon lamp

£75.00



Part of our wide range of "strokes and tachos"

ELECTRONIC BROKERS LIMITED (New Products Division)

49-53 Pancras Road, London, NW1 2QB - Tel: 01-837 7781

- Telex: 298694

Hours of business:
9 a.m.-5 p.m. Mon.-Fri.; closed lunch
1-2 p.m.

ADD 8% VAT
TO ALL PRICES

Carriage and Packing charge extra
on all items unless otherwise stated



WW-087 FOR FURTHER DETAILS

www.americanradiohistory.com

LARGEST SUPPLIES LTD

Climax House, Fallsbrook Rd., Streatham, London SW16 6ED

RST

Tel: 01-677 2424 Telex: 946708

RST

AA119 0.20	ASZ15 1.25	BC177 0.19	BD136 0.36*	BF336 0.50*	GJ3M 0.75	OAZ201 0.65	OC203 1.25	ZTX502 0.16*	2N1309 0.60	2N3771 1.80
AA30 0.13	ASZ16 1.25	BC178 0.18	BD137 0.37*	BF337 0.53*	GJ5M 0.75	OAZ206 0.65	OC204 1.25	ZTX503 0.17*	2N1813 0.33	2N3772 1.70
AA33 0.15	ASZ20 0.75	BC179 0.20	BD138 0.40*	BF338 0.55*	GJ7M 0.75	OAZ207 0.65	OC205 1.75	ZTX504 0.20*	2N1871 1.50	2N3773 2.65
AAZ13 0.25	ASZ21 1.30	BC182 0.11*	BD140 0.47*	BFS21 2.27	GM0378A 1.50	OC16 1.25	OC206 1.75	ZTX505 0.16*	2N1893 0.33	2N3819 0.36*
AAZ15 0.31	AUI13 1.70*	BC184 0.12*	BD141 0.47*	BFS22 1.38	K5100A 0.40*	OC20 2.00	OC207 1.25	ZTX550 0.16*	2N2147 1.40	2N3820 0.46*
AAZ17 0.25	AUI10 1.70*	BC212 0.14*	BD181 1.38	BFS23 1.38	MJE340 0.58	OC22 2.50	OC212 2.75	IN914 0.07	2N2218 1.65	2N3823 0.60*
AC107 0.75	BA145 0.15*	BC213 0.14*	BD182 1.48	BFS24 2.27	MJE370 0.58	OC23 2.50	ORP12 0.85	IN401 0.06	2N2219 0.42	2N3866 1.00
AC125 0.30	BA148 0.15*	BC214 0.17*	BD237 0.80	BFW10 0.90	MJE371 0.81	OC24 3.50	R2008B 2.25*	IN402 0.07	2N2220 0.35	2N3905 0.22*
AC126 0.25	BA154 0.10	BC217 0.17*	BD238 0.85	BFX84 0.38	MJE521 0.65	OC26 0.90	R2010B 2.25*	IN403 0.08	2N2221 0.22	2N3906 0.22*
AC127 0.25	BA155 0.12	BC237 0.17*	BDX10 0.75	BFX85 0.41	MJE285 1.25	OC28 2.00	TIC44 0.36	IN404 0.09	2N2222 0.25	2N4058 0.20*
AC128 0.25	BA156 0.13	BC238 0.12*	BDX22 2.25	BFX87 0.35	MJE305 0.75	OC29 2.00	TIC226D 1.30	IN405 0.13	2N2223 2.75	2N4059 0.15*
AC141 0.20	BAW62 0.05	BC301 0.60	BDY20 1.42	BFY88 0.32	MPF102 0.30*	OC45 1.50	TIL209 8.25	IN406 0.15	2N2388 0.17	2N4060 0.20*
AC141K 0.30	BAX13 0.07	BC302 0.60	BDY60 0.75	BFY50 0.28	MPF103 0.30*	OC36 1.50	TIP29A 1.50*	IN407 0.15	2N2389A 0.21	2N4061 0.17*
AC142 0.20	BAX16 0.07	BC307 0.20*	BF115 0.39	BFY51 0.26	MPF104 0.30*	OC41 0.50	TIP30A 0.60*	IN408 0.15	2N2484 0.21	2N4062 0.18*
AC142K 0.25	BC107 0.12	BC308 0.18*	BF152 0.25	BFY52 0.26	MPF105 0.30*	OC42 0.50	TIP31A 0.62	IN409 0.15	2N2646 0.50	2N4124 0.17*
AC176 0.25	BC108 0.12	BC327 0.22*	BF154 0.25	BFY64 0.30	MPSA06 0.25*	OC43 1.50	TIP32A 0.75	IN5400 0.14	2N2904 0.35	2N4126 0.17*
AC187 0.25	BC109 0.13	BC328 0.18*	BF159 0.35	BFY65 0.34	MPSA07 0.25*	OC44 0.50	TIP33A 1.00	IN5401 0.16	2N2905 0.35	2N4286 0.20*
AC188 0.25	BC113 0.15*	BC337 0.19*	BF160 0.30	BFX88 0.32	MPSU01 0.32*	OC45 0.50	TIP4A 1.20	IS44 0.06	2N2906 0.25	2N4288 0.25*
ACV17 0.65	BC114 0.18*	BC340 1.00	BF167 0.39	BFY50 0.28	MPSU06 0.40*	OC17 0.45	TIP42A 0.90	IS821 0.08	2N2907 0.21	2N4289 0.35*
ACV18 0.65	BC115 0.19*	BCY31 1.00	BF173 0.30	BFY51 0.26	MPSU06 0.40*	OC72 0.45	TIP42A 0.90	IS821 0.08	2N2924 0.15*	2N4547 0.35*
ACV19 0.65	BC116 0.19*	BCY32 1.00	BF177 0.30	BFY52 0.26	MT106 1.25	OC73 1.00	TIP2955 1.00	IS821 0.08	2N2925 0.17*	2N4548 0.35*
ACV20 0.65	BC117 0.22*	BCY33 1.00	BF178 0.45	BFY64 0.30	BTY79/400R 3.19	OC74 0.75	TIP3055 0.50	IS821 0.08	2N2926 0.13*	2N4549 0.35*
ACV21 0.65	BC118 0.22*	BCY34 0.90	BF179 0.45	BFY65 0.34	BU205 2.25*	OC75 0.60	T1543 0.35*	IS821 0.08	2N3053 0.25	3N125 1.75
ACV29 1.25	BC135 0.18*	BCY35 0.90	BF180 0.45	BFY66 0.34	BU206 2.25*	OC76 0.60	T2509 2.95	IS821 0.08	2N3054 0.50	3N141 0.85
AD149 0.70	BC126 0.25*	BCY40 1.25	BF181 0.45	BFY67 0.34	BU208 2.50*	OC81 0.75	ZS178 0.54*	IS821 0.08	2N3055 0.25	
AD161 0.75	BC135 0.15*	BCY42 0.30	BF182 0.45	BFY68 0.34	BU209 2.50*	OC82 0.75	ZS271 0.22*	IS821 0.08	2N3440 0.60	
AD162 0.75	BC136 0.15*	BCY43 0.32	BF183 0.45	BFY69 0.34	BU210 2.50*	OC83 0.75	ZS272 0.22*	IS821 0.08	2N3441 0.80	
AF106 0.45	BC137 0.16*	BCY48 0.23	BF184 0.39	BFY70 0.34	BU211 2.50*	OC84 0.75	ZS273 0.22*	IS821 0.08	2N3442 1.20	
AF114 0.25	BC147 0.10*	BCY70 0.18	BF185 0.37	BFY71 0.34	BU212 2.50*	OC85 0.55	ZS274 0.22*	IS821 0.08	2N3443 0.90	
AF115 0.25	BC148 0.10*	BCY71 0.22	BF186 0.37	BFY72 0.18	BU213 2.50*	OC86 0.55	ZS275 0.22*	IS821 0.08	2N3444 1.20	
AF116 0.25	BC149 0.13*	BCY72 0.17	BF187 0.37	BFY73 0.18	BU214 2.50*	OC87 0.55	ZS276 0.22*	IS821 0.08	2N3445 1.20	
AF117 0.25	BC157 0.11*	BCZ11 1.50	BF188 0.37	BFY74 0.18	BU215 2.50*	OC88 0.55	ZS277 0.22*	IS821 0.08	2N3446 1.20	
AF138 0.40	BC158 0.11*	BD115 0.60	BF189 0.37	BFY75 0.18	BU216 2.50*	OC89 0.55	ZS278 0.22*	IS821 0.08	2N3447 1.20	
AF186 1.50	BC159 0.13*	BD121 1.50	BF190 0.37	BFY76 0.18	BU217 2.50*	OC90 0.55	ZS279 0.22*	IS821 0.08	2N3448 1.20	
AF219 0.45	BC167 0.13*	BD123 1.50	BF191 0.37	BFY77 0.18	BU218 2.50*	OC91 0.55	ZS280 0.22*	IS821 0.08	2N3449 1.20	
AFZ11 2.75	BC172 0.14*	BD124 1.50	BF192 0.37	BFY78 0.18	BU219 2.50*	OC92 0.55	ZS281 0.22*	IS821 0.08	2N3450 1.20	
AFZ12 2.75	BC173 0.14*	BD125 1.50	BF193 0.37	BFY79 0.18	BU220 2.50*	OC93 0.55	ZS282 0.22*	IS821 0.08	2N3451 1.20	
ASV26 0.45	BC172 0.13*	BD132 0.54	BF194 0.37	BFY80 0.18	BU221 2.50*	OC94 0.55	ZS283 0.22*	IS821 0.08	2N3452 1.20	
ASV27 0.50	BC173 0.13*	BD135 0.55*	BF195 0.37	BFY81 0.18	BU222 2.50*	OC95 0.55	ZS284 0.22*	IS821 0.08	2N3453 1.20	

VALVES

A1834 6.00	E92CC 4.97	E93F 5.51	E94 5.00*	G4 4.50	OC2 2.30	QQZ06-04A	UCC85† 0.75*	3C45† 6.00	6BR8† 1.20*	7Y4 0.75*	931A 12.24
A2087 10.48	E180CC 5.36	E98F 5.51	E98F† 0.45*	G4A 4.50	OC3† 0.45	QJ37 42.60	UCC90 0.50*	3CX100AS 20.00	6BR† 4.90*	7Y4 0.75*	1624 1.25
A2134 4.81	E180CC 5.36	E98F 5.51	E98F† 0.45*	G516 9.00	OD3† 0.45	QQZ07-12	UCC81† 0.50*	3E29† 5.50	6BR† 4.90*	7Y4 0.75*	1625 1.00
A2293 4.10	E182CC 5.71	E98F† 0.45*	E98F† 0.45*	G516 9.00	OC8† 0.85*	QV04-7 2.50	UCL82† 0.50*	3F4† 0.75*	6BR7† 1.12*	7Y4 0.75*	2050 2.50
A2426 8.20	E186F 7.90	E98F† 0.45*	E98F† 0.45*	G516 9.00	OC9† 0.85*	QV06-10 85.60	UCL83 1.20*	3V4† 1.00*	6BR6 1.78*	7Y4 0.75*	4212E 118.95
A2521 8.53	E188CC 5.06	E98F† 0.45*	E98F† 0.45*	G516 9.00	OC10† 0.70*	QV08-10 65.60	UCL84 1.75*	4F1 0.25*	6BR5 1.78*	7Y4 0.75*	5444 118.95
A2800 4.85	E280† 16.90	E98F† 0.45*	E98F† 0.45*	G516 9.00	OC11† 0.70*	QV08-10 65.60	UCL85 1.75*	4F1 0.25*	6BR5 1.78*	7Y4 0.75*	5545 59.00
AS343 18.43	E280CC 7.85	E98F† 0.45*	E98F† 0.45*	G516 9.00	OC12† 0.70*	QV09-10 65.60	UCL86 1.75*	4F1 0.25*	6BR5 1.78*	7Y4 0.75*	5551A 62.70
AZ23 F10†	E280CC 12.58	E98F† 0.45*	E98F† 0.45*	G516 9.00	OC13† 0.70*	QV10-10 65.60	UCL87 1.75*	4F1 0.25*	6BR5 1.78*	7Y4 0.75*	5552 64.70
AZ41 1.15*	EA52 14.20	E98F† 0.45*	E98F† 0.45*	G516 9.00	OC14† 0.70*	QV11-10 65.60	UCL88 1.75*	4F1 0.25*	6BR5 1.78*	7Y4 0.75*	5553A 225.30
BK448 62.70	EAB30 0.40*	E98F† 0.45*	E98F† 0.45*	G516 9.00	OC15† 0.70*	QV12-10 65.60	UCL89 1.75*	4F1 0.25*	6BR5 1.78*	7Y4 0.75*	5642 3.16*
BK484 84.70	EAB30 0.40*	E98F† 0.45*	E98F† 0.45*	G516 9.00	OC16† 0.70*	QV13-10 65.60	UCL90 1.75*	4F1 0.25*	6BR5 1.78*	7Y4 0.75*	5642 3.16*
B590 27.25	EAB30 0.40*	E98F† 0.45*	E98F† 0.45*	G516 9.00	OC17† 0.70*	QV14-10 65.60	UCL91 1.75*	4F1 0.25*	6BR5 1.78*	7Y4 0.75*	5642 3.16*
B5810 10.00	EAB30 0.40*	E98F† 0.45*	E98F† 0.45*	G516 9.00	OC18† 0.70*	QV15-10 65.60	UCL92 1.75*	4F1 0.25*	6BR5 1.78*	7Y4 0.75*	5642 3.16*
BT5 31.15	EAB30 0.40*	E98F† 0.45*	E98F† 0.45*	G516 9.00	OC19† 0.70*	QV16-10 65.60	UCL93 1.75*	4F1 0.25*	6BR5 1.78*	7Y4 0.75*	5642 3.16*
BT17 55.64	EAB30 0.40*	E98F† 0.45*	E98F† 0.45*	G516 9.00	OC20† 0.70*	QV17-10 65.60	UCL94 1.75*	4F1 0.25*	6BR5 1.78*	7Y4 0.75*	5642 3.16*
BT19 19.00	EAB30 0.40*	E98F† 0.45*	E98F† 0.45*	G516 9.00	OC21† 0.70*	QV18-10 65.60	UCL95 1.75*	4F1 0.25*	6BR5 1.78*	7Y4 0.75*	5642 3.16*
BT29 169.70	EAB30 0.40*	E98F† 0.45*	E98F† 0.45*	G516 9.00	OC22† 0.70*	QV19-10 65.60	UCL96 1.75*	4F1 0.25*	6BR5 1.78*	7Y4 0.75*	5642 3.16*
BT69 173.65	EAB30 0.40*	E98F† 0.45*	E98F† 0.45*	G516 9.00	OC23† 0.70*	QV20-10 65.60	UCL97 1.75*	4F1 0.25*	6BR5 1.78*	7Y4 0.75*	5642 3.16*
BT75 72.25	EAB30 0.40*	E98F† 0.45*	E98F† 0.45*	G516 9.00	OC24† 0.70*	QV21-10 65.60	UCL98 1.75*	4F1 0.25*	6BR5 1.78*	7Y4 0.75*	5642 3.16*
BT95 66.80	EAB30 0.40*	E98F† 0.45*	E98F† 0.45*	G516 9.00	OC25† 0.70*	QV22-10 65.60	UCL99 1.75*	4F1 0.25*	6BR5 1.78*	7Y4 0.75*	5642 3.16*
CLB31 1.50*	EAB30 0.40*	E98F† 0.45*	E98F† 0.45*	G516 9.00	OC26† 0.70*	QV23-10 65.60	UCL100 1.75*	4F1 0.25*	6BR5 1.78*	7Y4 0.75*	5642 3.16*
CL33 2.00*	EAB30 0.40*	E98F† 0.45*	E98F† 0.45*	G516 9.00	OC27† 0.70*	QV24-10 65.60	UCL101 1.75*	4F1 0.25*	6BR5 1.78*	7Y4 0.75*	5642 3.16*
CY31 1.00*	EAB30 0.40*	E98F† 0.45*	E98F† 0.45*	G516 9.00	OC28† 0.70*	QV25-10 65.60	UCL102 1.75*	4F1 0.25*	6BR5 1.78*	7Y4 0.75*	5642 3.16*
C1K 10.00	EAB30 0.40*	E98F† 0.45*	E98F† 0.45*	G516 9.00	OC29† 0.70*	QV26-10 65.60	UCL103 1.75*	4F1 0.25*	6BR5 1.78*	7Y4 0.75*	5642 3.16*
C3A 10.00	EAB30 0.40*	E98F† 0.45*	E98F† 0.45*	G516 9.00	OC30† 0.70*	QV27-10 65.60	UCL104 1.75*	4F1 0.25*	6BR5 1.78*	7Y4 0.75*	5642 3.16*
DA41 16.85	EAB30 0.40*	E98F† 0.45*	E98F† 0.45*	G516 9.00	OC31† 0.70*	QV28-10 65.60	UCL105 1.75*	4F1 0.25*	6BR5 1.78*	7Y4 0.75*	5642 3.16*
DA42 8.81	EAB30 0.40*	E98F† 0.45*	E98F† 0.45*	G516 9.00	OC32† 0.70*	QV29-10 65.60	UCL106 1.75*	4F1 0.25*	6BR5 1.78*	7Y4 0.75*	5642 3.16*
DA100 31.86	EAB30 0.40*	E98F† 0.45*	E98F† 0.45*	G516 9.00	OC33† 0.70*	QV30-10 6					

MICROSYSTEMS '78 MICROSYSTEMS '78 MICROSYSTEMS '78

SEMINAR & EXHIBITION
West Central Hotel, London
February 8 · 9 · 10 1978

Sponsored and organised by IPC Business Press

Keeping in touch with a fast developing technology like microelectronics can be difficult. And, like jumping on a moving train, the initial contact can be hazardous, if not actually painful.

That's why a unique line-up of IPC Business Press journals have got together. To organise three days of talks and presentations plus an exhibition which will give you a chance to come to grips with the new technology of microsystems.

That means not just microprocessors, but also interfaces, peripherals and software. Everything, in fact which is needed to transform a microprocessor into an operational system.

So climb on board Microsystems '78. To learn more about the world's fastest moving technology. Without being thrown off-balance or having the door slammed in your face.

We can think of lots of reasons why you should attend Microsystems '78. But we'll give you just eight of them:

Electronics Weekly

COMPUTER WEEKLY

data processing

microprocessors

Electrical Times

ELECTRON

electrical review

wireless world

All top journals in their fields and all sponsors of Microsystems '78. Need we say more? Except please complete and return the coupon.

I am interested in Microsystems '78.

Please send me details of the seminar programme, when finalised.

Name: _____

I would like to submit a paper to be delivered at Microsystems '78.

Job Title: _____

My company is interested in participating in Microsystems '78 as an exhibitor.

Company Name: _____

My company would like to make an industry presentation at Microsystems '78.

Company Address: _____

(Please tick the appropriate box):

Please return this coupon to Chris Hipwell, Room 125 Dorset House, Stamford Street, London SE1 9LU

Comprehensive electronic component catalog page containing lists for TTLs by TEXAS, C-MOS ICs, OP. AMPS, TRANSISTORS, DIODES, RECTIFIER, ZENER, BRIDGE RECTIFIERS, TRIACS, MOSFETS, and SEVEN SEGMENT DISPLAYS. Includes pricing, specifications, and contact information for Technomatic Ltd.

Large advertisement for Semiconductors (Croydon) Limited, featuring the company logo, contact details for Orchard Works, Church Lane, Wallington, Surrey, SM6 7NF, and telephone number 01-647 1006 (5 lines).

NEW PRODUCTS FROM ITA

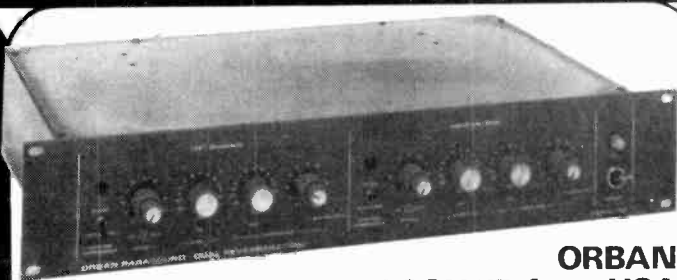
Here are just some of the products stocked by THE UK's BIGGEST EQUIPMENT CENTRE, ITA:—

**Revox Teac
Otari
Itam Quad H & H**

For further information write or phone:

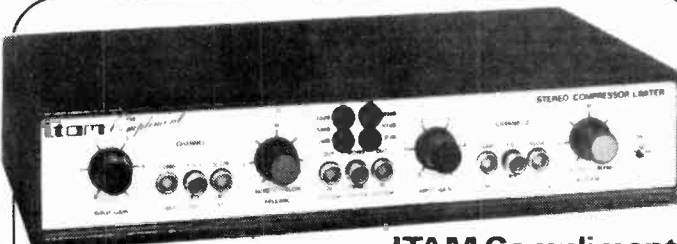


**1-7 Harewood Avenue, Marylebone Road
London NW1. Tel: 01-724 2497; Telex: 21879**



ORBAN PARASOUND from USA

Dual channel multispring reverb unit. Each channel features four springs — far smoother than single spring systems. "Twang" and "boing" are virtually eliminated by incorporating a floating threshold limiter. Bass, mid-range EQ and bandwidth controls. The best compact reverb unit available.



ITAM Compliment

New Stereo compressor limiter. Competitively priced. Free standing self-contained unit, accurate stereo tracking, stepped 1:1, 1:5, 3:1 plus limiting ratio at 20:1. Switchable attack time, variable release time, automatic release time. Input attenuation to accommodate large range of inputs. Pre-set adjustable output. Switched link for stereo tracking. Visual representation of compression. £247 + VAT

WW—097 FOR FURTHER DETAILS

SEND FOR SINTEL FREE CATALOGUE

SINTEL

FAST SERVICE We guarantee that Telephone Orders for goods in stock, received by 4.15 p.m. (Mon-Fri) will be despatched on the same day by 1st Class Post (some heavy items by parcel post) and our stocking is good. Private customers should telephone and pay by giving their Access or Barclaycard number, with a minimum order value of £5. Official orders, no minimum.

RESEARCH MACHINES 380Z COMPUTER SYSTEM AVAILABLE THROUGH SINTEL

RESEARCH MACHINES 380Z	SYSTEM 16+K	£1063.00
Ready built with 16K RAM. 2K ROM Monitor With Keyboard		
RESEARCH MACHINES 380Z	SYSTEM 4/KIT	£499.00
Part-assembled Kit with 4K RAM. 1K ROM Monitor Without Keyboard		
SOFTWARE 8K Extended Basic for 380Z		
Various combinations of the 380Z are available e.g. 4K-32K RAM. Assembled or Part-Assembled Kit Form, with or without Keyboard. PLEASE CONTACT SINTEL FOR FURTHER INFORMATION AND PRICES.		
DELIVERY: 1 to 8 weeks PRICES: Exclusive of VAT and p&p.		

MICROPROCESSORS

A SELF-CONTAINED MICROCOMPUTER KIT: THE MEK6800D2. Keyboard Data Entry 6 Digit Hex Display Integral Cassette Interface. 256 Words of RAM. Single +5V Power Supply. Order as MEK6800D2 **£190.00**

MC6800	£15.97	MC6820	£8.02
Z80-CPU (2.5MHz)	£28.44	Z80A-CPU (4MHz)	£36.98
Z80-CTC	£12.80	Z80-PIO	£12.80

COMPONENTS

SOLDERCON PINS	CLOCK CHIPS	DISPLAYS	CRYSTALS	MEK6800D2	190.00
100	0.50 AY51202	3.10 TYPE	32.768KHz	3.50 MC6800	15.97
1000	4.00 AY51224	3.50 FNDS00 C.C.	5.12MHz	3.60 MC6820	8.02
3000	10.50 MK50253	5.60 TYPE	MEMORIES/μPs	Z80 CPU	28.44
		TIL321 CA	1.49 2102A.6	Z80A-CPU	36.98
		SLT01	4.90 2112A-4	Z80-CTC	12.80
			2.90 Z80-PIO	Z80-PIO	12.80

Free data is available on some of these items. SEND FOR FREE CATALOGUE.

CMOS	CD4014	1.04	CD4031	1.04	CD4048	0.58	CD4071	0.23	CD4098	1.13
	CD4015	1.04	CD4032	1.02	CD4049	0.58	CD4072	0.23	CD4099	1.90
	CD4016	0.58	CD4033	1.44	CD4050	0.58	CD4073	0.23	CD4502	1.24
	CD4017	1.04	CD4034	1.97	CD4051	0.94	CD4075	0.23	CD4510	1.41
	CD4018	1.03	CD4035	1.22	CD4052	0.94	CD4076	1.34	CD4511	1.72
	CD4019	0.58	CD4036	3.29	CD4053	0.94	CD4077	0.45	CD4514	2.94
	CD4020	1.28	CD4037	0.98	CD4054	1.20	CD4078	0.23	CD4515	3.24
	CD4021	0.92	CD4038	1.10	CD4055	1.36	CD4081	0.23	CD4516	1.40
	CD4022	0.94	CD4039	3.20	CD4056	1.36	CD4082	0.23	CD4518	1.25
	CD4023	0.23	CD4040	1.11	CD4059	4.93	CD4085	0.74	CD4520	1.19
	CD4024	0.80	CD4041	0.86	CD4060	1.15	CD4086	0.74	CD4527	1.64
	CD4025	0.23	CD4042	0.86	CD4061	1.13	CD4089	1.60	CD4532	1.39
	CD4029	0.58	CD4043	1.01	CD4066	0.63	CD4093	0.92	CD4555	0.90
	CD4010	0.58	CD4027	0.58	CD4044	0.96	CD4067	3.85	CD4094	1.94
	CD4011	0.20	CD4028	0.92	CD4045	1.45	CD4068	0.23	CD4095	1.08
	CD4012	0.23	CD4029	1.18	CD4046	1.37	CD4069	0.23	CD4096	1.08
	CD4013	0.58	CD4030	0.58	CD4047	1.04	CD4070	0.51	CD4097	3.85
									IM6508	8.05

DATA BOOKS

Intel Memory Design Handbook	£5.20
Intel 8080 Microcomputer System User's Manual	£5.25
Intel 8085 Microcomputer System User's Manual	£5.15
Motorola Booklet From the Computer to the Microprocessor	£1.80
Motorola MC6805 Databook (Vol 5 Series B)	£3.50
Motorola M6800 Microprocessor Applications Manual	£12.95
Motorola M6800 Programming Manual	£5.35
National SC/MP Introkit User's Manual	£0.75
National SC/MP Technical Description	£1.80
RCA CMOS and Linear IC Databook	£2.10
Texas Instruments Pin Configuration Guide. A very useful set of gloss cards showing top and bottom pinout views of 7400 ICs plus many others (T.I. Memories, Op Amps, etc)	£5.45
Z80 Assembly Language Programming Manual	£2.95
Zilog Z80-CPU Technical Manual	£7.50
Zilog Z80-CTC Product Specifications	£5.60
Zilog Z80-PIO Technical Manual	£0.80
DATASHEETS at 75p each on IM6100 6800 SC/MP CDP1802 2650 TMS5501 TMS8080 9131 Z80 _P Intel 8085. Also free data on some components	£3.30

SINTEL RED DIGIT DESK CLOCK

CLOCK KITS

6 Red Digit ALARM CLOCK w 205mm h 40mm d 140mm	ACK	£28.80
4 Red Digit DESK CLOCK w 154mm h 40mm d 85mm	111-222	£15.50
4 Green Digit DESK CLOCK w 154mm h 40mm d 85mm	GCK	£12.95
6 Red Digit CAR CLOCK WITH TIMER w 205mm h 40mm d 140mm	CCK	£41.90
4 Red Digit CAR CLOCK w 154mm h 40mm d 85mm	AUT-CK	£18.85
50Hz CRYSTAL TIMEBASE KIT	XTK	£5.45

A RANGE OF SINTEL INDUSTRIAL MODULE KITS

Latched Counter modules are now available from SINTEL using both CMOS and TTL ICs. These kits will give you a very compact unit at less than the cost of the components bought separately and will save you considerable design, purchasing, building and debugging time. Each kit has a set of red LED displays, two PCBs, and the appropriate number of TTL or CMOS ICs plus brackets, etc., resistors, capacitors, single in-line plug and sockets and instructions.

KITS FOR LATCHED COUNTER MODULES

Digits	Part No	TTL Price	Part No	CMOS Price
2 digit	526-412	£10.52	548-470	£10.42
4 digit	657-412	£17.98	191-470	£18.11
6 digit	721-412	£25.66	869-470	£25.85

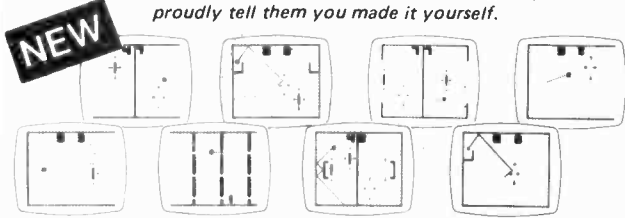
For our full range of Counter PCB sets and Display PCBs — send for FREE CATALOGUE. Our offices are at 209 Cowley Road, Oxford, but please do not use this as a postal address.

ALL PRICES ARE VALID UNTIL DECEMBER 31, 1977
OFFICIAL ORDERS ARE WELCOME FROM Companies, Govt. Depts., Natn. Inds., Univs., Polys., etc.
ORDERS: C.W.O. add VAT at 8% + 35p p&p. TELEPHONE and CREDIT (Invoice) Orders add VAT at 8% + 60p p&p (minimum charge, the balance will be added at cost). **FAST SERVICE:** EXPORT Orders welcome, no VAT but add 10% (Europe), 15% (Overseas) for Air Mail p&p. For Export postage rates on heavy items — contact us first.
ORDERS TO: SINTEL
PO BOX 75C, OXFORD
Tel: 0865 49791



MERRY CHRISTMAS AND A VIDEO NEW YEAR

Impress the neighbours with A game they haven't seen yet and proudly tell them you made it yourself.



8 GAME T.V. PROJECT

BASED ON AY-3-8600

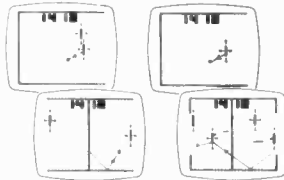
- * Basket-ball * Grid-Ball * Hockey * Tennis * Squash * Football + Two - One-Player Games. * Horizontal and Vertical Bat Coverage
- * Automatic Ball Speed-Up * Players Colour Coded
- * Three Tone Sound-Effects * Sound from T.V.
- * Ball Colour Coded to indicate turn in Squash-Game
- * All Components supplied guaranteed including sound and vision modulator C.H. 36 UHF.
- * Power requirement 9v battery * Just add controls and case.

Basic AY-3-8600 Paddle II Kit B + W ~~£21.00~~ only **£15.00**
Colour ~~£29.00~~ only **£20.90**

B+W Mini-Pack Chip + P.C.B. only **£12.90**
COLOUR Mini-Pack Chip + P.C.B. only **£13.90**

POPULAR AY-3-8500 PADDLE I

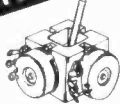
- * Three Tone Sound Effects
- * All components supplied guaranteed just add controls, speaker and case
- * UHF varicap modulator (B+W)
- * Power requirement - 9v battery
- * Stock clearance price down



Black + White ~~£10.50~~ **£9.90** Colour CH36 ~~£16.50~~ **£15.90**
Mini-Pack P.C.B. + chip B+W **£6.90** Colour **£7.90**

NEW JOY STICK CONTROLS

DESIGNED FOR T.V. GAMES
(AY-3-8550-AY-3-8600) Subminiature Size



UNBEATABLE LOW PRICE
One off **£1.90** Two off **£3.50**

COLOUR CONVERTER KIT

- * Easily connects to all b+w games using AY-3-8500 - AY-3-8550
- * Green background—Red boundaries—Yellow and Blue bats—White ball
- * No extra parts * No special equipment needed
- * New even lower price **£8.50 complete**

NEW VISION MODULATOR UHF-CH36

BUILT & TESTED **£2.90** Order both together - **£5.50**

SOUND MODULATOR

CONNECTS WITH ABOVE **£2.90**

TELETEXT DECODER SAVE OVER £50.00

TEXAS TIFAX - XM11
Tested and Guaranteed Only **£99.90**
Full Colour Display ORACLE AND CEEFAX
Simple to interface with most TV's.
Keyboard and power supply extra.
Also in stock NEW Colour TV's complete with Teletext FROM **£399.00**



All Projects supplied with easy to follow assembly instructions.
All prices include VAT + Postage. Orders under £10.00 - Add 20p p & p.
Make all Cheques or Postal Orders payable to

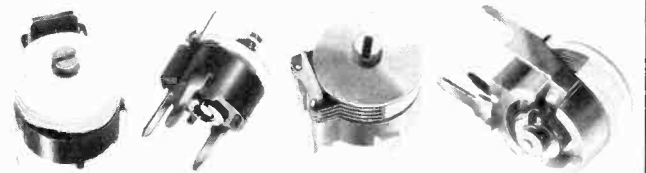
TELECRAFT

A Dedicated Visual Display-Company
Mail Orders: 53 Warwick Road, New Barnet, Herts, EN5 5EQ.
Retail Shop and Demonstrations - 14 Station Road, New Barnet, Herts.
For further Details and Technical Help - Phone 01-440 7033
(French and German spoken) Quantity discount negotiable.
For extra speed phone your order on Barclay-or-Access Cards.

WW-104 FOR FURTHER DETAILS

DAU U.K. offers a range of ranges...

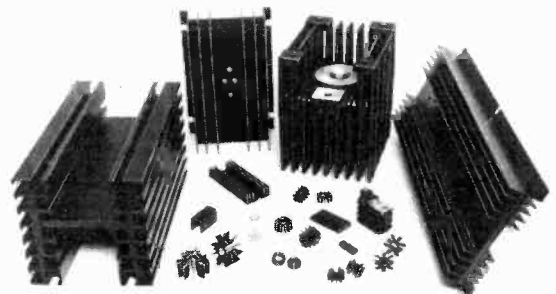
in top quality components



Foil Trimmers by DAU

The widest capacitance range available from any one manufacturer. C max from 5.5 pF to over 300 pF. Working temperature from -40 C to +125 C. Commercial and professional grades.

WW 093



Heatsinks by Fischer

Europe's most comprehensive range of extruded heatsinks. Over 53 stock profiles. Also over 200 various other heatsinks for small devices.

WW 094



I.C. Sockets by Fischer

A range of D.I.L. and S.I.L. integrated circuit sockets wide enough to cover most connection problems. Included in the range are L.E.D. display and low profile T05 sockets.

WW 095

DAU-UK LIMITED

Church House, 94 Felpham Road, Felpham
Bognor Regis, West Sussex PO22 7PG
Bognor Regis (02433) 28122 Telex 877285

BY POPULAR REQUEST

Demand for reprints of Wireless World constructional projects for audio equipment is so high that we have gathered 25 of the best of them together in High Fidelity Designs. These are the 'most requested' articles which **you** have asked for and all have been fully updated. Hurry for your copy — it's likely to sell out fast!

High fidelity designs

Tape/disc/radio/amplifiers/speakers/headphones

A BOOK FROM WIRELESS WORLD

£2.50 from newsagents and bookshops or £2.75 by post from the publishers

Contents: ● FM tuner design ● Novel stereo FM tuner ● Low-noise, low-cost cassette deck ● Wireless World Dolby noise reducer ● Wideband compander design ● High-quality compressor/limiter ● An automatic noise-limiter ● Modular integrated circuit audio mixer ● The "walltenna" ● Electronic piano design ● Advanced preamplifier design ● High quality tone control ● Multi-channel tone control ● Bailey-Burrows preamplifier ● 30-watt high fidelity amplifier ● 30-watt amplifier modification ● Baxandall tone control revisited ● Active crossover networks ● Electrostatic headphone amplifier ● Class A power amplifier ● An I.C. peak programme meter ● Horn loudspeaker design ● Horn loudspeaker ● Transmission-line loudspeaker enclosure ● Commercial quadrophonic systems

To: General Sales Department, Room CP34
Dorset House, Stamford Street, London SE1 9LU

Please send me copy/copies of
High Fidelity Designs at £2.75 each inclusive.

I enclose remittance value £
(cheques payable to IPC Business Press Ltd.)

NAME
(please print)

ADDRESS

Company registered in England No 677128
Regd office Dorset House, Stamford Street, London SE1 9LU

The decade that changed our view of colour TV!

TELEVISION looks back at "Ten Years of Colour" in our main feature which is a compilation of 3 articles dealing in detail with the development of colour TV from 1967 to 1977.

In the first we look at this progress from the set manufacturer's point of view; the second article deals with the servicing angle; the third examines the background politics that influenced the decision makers in their choice of systems.

also
"Dealing with VCR Servo Systems"
plus
all our regular servicing features

Look into

TELEVISION

December issue 50p
on sale Monday 21 November

NEW! AMERICAN STYLE CRADLE TELEPHONE AMPLIFIER



ONLY
£14.95
+ VAT £1 20

Latest transistorised Telephone Amplifier is completely automatic with detachable plug-in speaker. Placing the receiver on to the cradle activates a switch for immediate two-way conversation without holding the hand-set. Many people can listen at a time. Increase efficiency in office, shop, workshop. Perfect for "conference" calls: leaves the user's hands free to make notes, consult files. No long waiting. On/Off switch, volume control. Model with tape-recording facility £16.95 + VAT £1.36. P. & P. 89p C W O 10-day price refund guarantee

NEW IMPROVED MAINS INTERCOM



NO BATTERIES NO WIRES
ONLY
£29.99
per pair
+ V.A.T. £3 75

Made to High Safety and Telecommunications Standards. The modern way of instant 2-way communications. Supplied with 3-core wire. Just plug into power socket. Ready for use. Crystal clear communications from office to office. Operates over 1/2-mile range on the same mains phase. On/off switch. Volume control. Useful as office intercom, surgery and homes, between office and warehouse. Full price refund if returned in 10 days. **Six months' service guarantee.** P. & P. 99p

WEST LONDON DIRECT SUPPLIES (W/W)
169 Kensington High Street, London W.8

HIGH QUALITY LOW DISTORTION OSCILLATOR



An ideal instrument for testing hi-fi systems.
Designed by Mr J. L. Linsley Hood

Kit price, £19.50. Made and tested, £23 (+ tax at 8%) p.p. and insurance £1.00

Specification —
Frequency range: 10 Hz-100 kHz in 4 steps
Output: 10mV—1 volt in 3 steps
Sine- and Square-wave forms: Dist. below .02%
Attenuator: Powered by 9 V battery.

Other instruments: MILLIVOLTMETER, FREQUENCY METERS, 60 V I A REG P.S.U., F.M. SIG GEN., DISTORTION ANALYSER. Also: HI-FI AMP KITS 10-100 W.F.M. TUNERS, KEF SPEAKER UNITS and the latest Mr. Linsley-Hood oscillator (WW, Sept.-Oct. '77) at £36, including metal case and front panel.

SAE for further information to:
TELERADIO ELECTRONICS
 325 FORE STREET, EDMONTON, LONDON, N.9
 Telephone: 01-807 3719

FREQUENCY SHIFTER AND STABILIZER OWNERS

We have been having reliability problems with multiplier ICs of two particular batch codes. The faults do not show up during manufacture and testing but devices fail after 2 to 12 months' use, probably due to purple plague.

Should your shifter develop either an output modulated by the shifting frequency, or no output at all, then suspect failure of one or both multipliers (ICs, IC6) respectively. Check the batch codes marked next to the type numbers. Should they be Silicon General devices batch 7605 or 7620 this will certainly be the fault if there is no output on pin 14, so return the faulty device to us for free replacement.

All other batch codes and Motorola devices are quite satisfactory.

STEREO DISC AMPLIFIER 2. Superlative performance for broadcasting disc monitoring and transfer. Specification October p29

10 OUTPUT DISTRIBUTION AMPLIFIER 2. 1 floating input, 10 independent floating outputs for general studio use, providing audio feeds for the press and feeding multiple slave PA amplifiers.

PEAK PROGRAMME METER and PEAK DEVIATION METER. Ernest Turner 642, 643 and TWIN meter movements from stock. PPM drive circuit under licence from the BBC meeting current and proposed specifications. Reviewed Studio Sound September 1976

CHART RECORDER Continuous charts of studio or deviation levels.

SPECTRUM SHIFTER. Frequency Shifts between 0.1 and 1000Hz for special effects on speech and music.

SURREY ELECTRONICS, The Forge, Luck's Green, Cranleigh, Surrey GU6 7BG
(STD 04966) 5997

SURROUND SOUND KITS



Demodulator TDM29
A new JVC design with improved muting.



Type A Variomatrix Decoder Synthesizer
(with or without SQ Option).



Decoder Type 3A Type 5A

PRICE LIST (VAT in brackets; overseas customers neglect)

CD4	Complete kit	£35.00+ (£4 38)
	PCB ICs and coils only	£18.00+ (£2 25)
QS	Variomatrix Decoder Kit	£32.00+ (£4 00)
	*As above but with SQ option	£36.00+ (£4 50)
SQ	Type L3A Kit	£26.50+ (£3 31)
	Type L5A Kit	£31.50+ (£3 94)
	PCBs (for both types)	£6.90+ (£0 86)
	Master Switch Kit	£9.50+ (£1 19)
	4 Gang Potentiometer	£2.00+ (£0 25)

(Overseas Airmail £4 per kit)
For details send SAE to

COMPCOR ELECTRONICS LIMITED
9 DELL WAY, LONDON W13 8JH. Telephone 01-998 8221

WW — 091 FOR FURTHER DETAILS

COMPUTER APPRECIATION

86 High Street, Betchingley, Redhill, Surrey RH1 4PA. Tel: Godstone (088 384) 3221

LA 36 DECWRITER 2. Latest Model and BRAND NEW. **£925.00.**

CASSETYPER Model 2. IBM Selectric typewriter with fully electronic keyboard and twin Philips-type cassettes. Less than three years old. **£1,225.00.**

ITEL Paper Tape Selectric typewriters from **£400.00.**

FLEXOWRITERS. Model 2305 automatic typewriters from less than **£300.00.** Model Ones from **£120.00.**

TELETYPES. ASR 33s. Now available at **£495.00.** KSR 35s at **£225.00.**

OLIVETTI Model 349 Intelligent Terminal with RS 232 interface. Clean, but doesn't work. **£275.00.**

SAGEM RO Electronic Teleprinter, 7-unit, 60mA interface, **£45.00.**

IBM Model 715 Selectric I/O. **£150.00.**

ANNE ARBOR VDU. 24 Lines x 80 ch., RS 232. Band rates 110-9000. With standard video out and less keyboard. Under one year old. **£295.00.**

PDP 8L with 4K memory and TTY interface: **£550.00** (BASIC & FOCAL incl.).

SPC 12 Minicomputer with 4K. **£150.00.**

CORE MEMORIES, 4K x 12, complete with all drivers and logic on one card. These are COMPATIBLE WITH THE PDP 8 I/L. **£75.00.**

LITTON Model 1231 COMPUTER with 35 c.p.s. printer and tape reader/punch. Processor uses plug-in 74 series TTL **£495.00.**

DIABLO Model 30 Removable Disc Unit, **£495.00.**

DEC High Speed Reader/Punch for PDP 8, **£350.00.**

RHEEM High Speed READER with electronics. Rack mounting: **£95.00.**

DATEK Model 40 READER. 40 c.p.s. Brand new and cased. **£38.00.**

SINGER 35 C.P.S. PUNCH. With all electronics, p.s.u. and spooling. **£75.00.**

NOVA. Various cards and interfaces (some new) available at very low cost.

MUIRHEAD Facsimile equipment available. **P.O.A.**

JAC INSTRUMENTS Model 331 Frequency counter and standard. **£75.00.**

NATIONAL CCTV System with one monitor and one camera **£135.00.**

SCHNEIDER Model 252 100 MHz frequency counter, **£95.00.**

PERTEC Model 6840 Tape Transport, **£475.00**

MOHAWK MDS 1103 key to tape unit, **£160.00**

PLEASE NOTE:

- * Prices exclusive of VAT and Carriage.
- * Callers very welcome, but by appointment please
- * We are keen to bid competitively for good used equipment.

WW—073 FOR FURTHER DETAILS



DRAKE

Radio Shack Ltd



DRAKE'S SUPERB TRANSCEIVER TR-4CW

S.A.E. for details please.

AS WELL AS DRAKE EQUIPMENT, WE ARE THE DIRECT IMPORTERS OF HA RTTY AND MICROPROCESSORS, ATLAS, NYE MORSE KEYS, PRESTEL VHF / UHF PROFESSIONAL FIELD STRENGTH METERS, HAM RADIO, CIR ASTRO 200, HY-GAIN, CDR ROTORS, HUSTLER, OMEGA-T SYSTEMS, MFJ FILTERS AND SPEECH PROCESSORS, SUPEREX. WE ALSO STOCK SHURE MICROPHONES, YAESU, MICROWAVE MODULES, SOLID STATE MODULES, ICOM, COPAL CLOCKS, G-WHIPS, BANTEK, MOSLEY, DAIWA, ASAHI, JAYBEAM, DECCA AND THE USUAL ACCESSORIES—COAX, CONNECTORS, INSULATORS, VALVES, Etc.

SEND FOR A COPY OF OUR PRICE LIST (Stamps please)

We are situated just around the corner from West Hampstead Underground Station (Bakerloo line) A few minutes walk away is West Hampstead Midland Region station and West End Lane on the Broad Street Line. We are on the following Bus Routes: 28, 59, 159. Hours of opening are 9-5 Monday to Friday. Closed for Lunch 1-2 Saturday we are open 9-12 30 only. World wide exports

DRAKE ★ SALES ★ SERVICE
RADIO SHACK LTD.

188 BROADHURST GARDENS, LONDON NW6 3AY

Giro Account No. 588 7151, Telephone: 01-624 7174, Cables: Radio Shack, London, N.W.6. Telex: 23718

WW—052 FOR FURTHER DETAILS

BEAR MICROCOMPUTER SYSTEMS LTD.

- ★ 77-68 DESIGN MANUAL (a simple 6800 based Microcomputer) Fully supported with kits of parts for CPU, Memory and Teletypewriter interface p.c.b.s. Also supported with an active User Group (no VAT) £7.50
- ★ 6800 Support Literature: Text Books, Motorola Manuals and Games Software.
- ★ 4k Byte Memory Extension Kit for MEK 6800D1 £70.25
- ★ Hardware Components:
 - 6800P Microprocessor £14.25
 - 2102-1 450ns 1k x 1 STATIC RAM £1.50
 - 2102L-1 450ns 1k x 1 LOW POWER STATIC RAM £1.60

81LS97	£1.43	MC 1488	£1.40
81LS98	£1.43	MC 1489	£1.40

P&P 30p. VAT at 8% Plus full range of Low Power Schottky TTL

For full details and an up-to-date Catalogue contact:

BMS LTD.

24 College Road
Maidenhead, Berks. SL6 6BN

WW 092 — FOR FURTHER DETAILS

MAIL ORDER PROTECTION SCHEME (Limited Liability)

If you order goods from mail order advertisers in this magazine, except for classified advertisements, and pay by post in advance of delivery, Wireless World will consider you for compensation if the advertiser should become insolvent or bankrupt, provided

1. You have not received the goods or had your money returned; and
2. You write to the publisher of Wireless World explaining the position not earlier than 28 days from the day you sent your order and not later than 2 months from that day.

Please do not wait until the last moment to inform us. When you write, we will tell you how to make your claim and what evidence of payment is required.

We guarantee to meet claims from readers made in accordance with the above procedure as soon as possible after the advertiser has been declared bankrupt or insolvent up to a limit of £3,550 per annum for any one advertiser so affected and up to £10,000 per annum in respect of all insolvent advertisers. Claims may be paid for higher amounts, or when the above procedure has not been complied with, at the discretion of Wireless World; but we do not guarantee to do so in view of the need to set some limit to this commitment and to insure quickly of readers' difficulties.

This guarantee covers only advance payments sent in direct response to an advertisement in this magazine (not, for example, payments made in response to catalogues, etc., received as a result of answering such advertisements). Personal advertisements are excluded.

If you still think we're like this



or this



you must be missing this



Today's Electronics Weekly has more news. More new products. Invaluable technical teach-ins on major innovations—the current series features Microprocessors. A new feature, 'Perspective', which turns a penetrating and impartial eye on leading topics of the day... these are just some of the ways in which it is constantly increasing its depth and scope. If you haven't seen a copy for some time, find out how behind-the-times your ideas about Electronics Weekly are. Post this coupon now!

To Electronics Weekly, IPC Electrical-Electronics Press Ltd.,
Dorset House Stamford Street London SE1 9LU

Please send me Electronics Weekly for a year. I enclose cheque p.o. for £6.
(Annual subscription, inc. post and packing. Cheques should be made payable to IPC Business Press Ltd.)

Name: _____

Address: _____

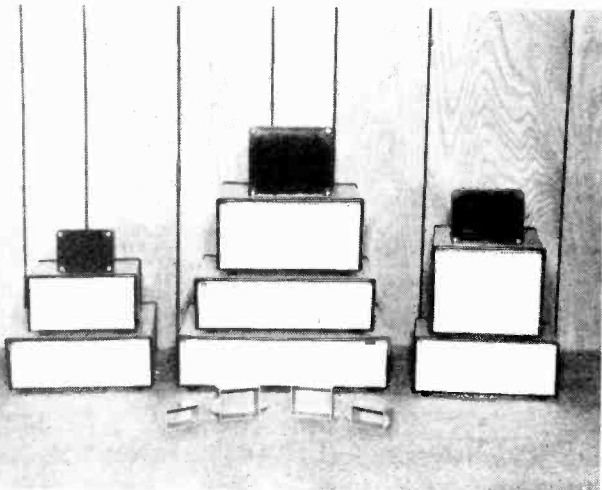
Electronics Weekly

Every Wednesday 10p

moves as fast as the industry it serves

C.H.L. COMPONENTS LTD.

Manufacturers of Boxes and Components
for the Electronics Industry



ABS ADAPTABLE BOXES

Moulded in ABS with lids retained by 4 screws into brass corner inserts.

MB1 77x56x37 MB2 95x71x35 MB3 115x95x35mm

CONCOURSE INSTRUMENT CASES

Manufactured from PVC coated steel. Two part construction
Fourteen sizes to choose from

Our smallest Conl 80x111x50mm

Our largest Conl 4309x31x117mm

ENCAPSULATION BOXES

EN1 34x36x19 EN2 48x28x23 EN3 51x38x25mm

ALBERT WORKS, ST. HUBERT STREET, GREAT HARWOOD, LANCs.

TEL. GREAT HARWOOD 886790

WW-084 FOR FURTHER DETAILS

NEW FROM CASIO
WATER RESISTANT WATCHES WITH STOPWATCH

Casio watches are probably the success story of the decade. These superb quality watches have a constant liquid crystal display of hours, minutes, ten seconds, seconds (by flash) and AM/PM. At a touch of the calendar button they display day, date and month, with automatic 28, 30 and 31-day calendar adjustment. They all have night illumination. In new slim **Stainless Steel** cases with **mineral glass** face, they are anti-magnetic, shock resistant and **water resistant** to 100 feet. They all have a **STOPWATCH** from one second to 13 hours and, except the 31QR-12B and Ladies' watches, they all have **DUAL TIME ZONE** facility. The display, with a life expectancy of over 6 years, can be easily changed at low cost.



Five CASIO Ladies models from **£29.95**. Available soon: Alarm watch and two chronograph watches for under **£65**.
Bottom left: **IBICO 451ES** Chrono, 6 digit, 6 functions, 1/100 second to 1 hour. Net and lap times. All S/S, glass, 100 feet. **£45.50**.
Send 15p for our illustrated catalogue. ACCURIST, CITIZEN, etc.
Prices include VAT, P&P. Send cheque, P.O. or phone your credit card No. to:

TEMPUS Dept. WW
19/21 Fitzroy Street
Cambridge CB1 1EH
Telephone (0223) 312866

WW-106 FOR FURTHER DETAILS

EUROTECH

MISCELLANEOUS

J. Lloyd XY Plotter Type PL	£160
S. E. Labs. UV Recorder Type 3006DL	£600
Grubb Parsons Type IRG A20 Analyser	£480
Fribourge Charge Amp Type TA-3/D	£85
SE Labs 19" Rack Comprising OSC Type 511/S and 6 off Carrier Amps Type 423/1	£350
6v 25 Amp. Power Supply Units	£25
D.M. Digital Voltmeter. Type 2022S	£240
Electro Scientific Industries Portametric PVB 300	£180
Stanley Lab. Counter Timer SL111	£350
Flure 8800A D.V.M.	£500

DYNAMCO

Type D7100 with Delay Sweep Price on App.

OSCILLOSCOPES

TEKTRONIX

Type 551 with Power Supply	£350
Type 545A with 1A2 Dual Trace Amp	£485
Type 585 with Type 82 Dual Trace	£550
Type 581A with Type 82 Dual Trace	£550
Type 7603	P.O.A.
Type 7313	P.O.A.
Plug in Modules	
Type CA, G, H, L, K	£80 each
Type 3A75 Amp. 4MHZ	£80
3A8 Operational Amp	£75
3T77 and 3S76 Sampling	£250
82 Dual Trace Amp	£135
1A4 Four Trace Amplifier	£550

HEWLETT PACKARD

Type 180A with 1801A Dual Channel Vert Amp.
1820A Time Base £650

THE TEST EQUIPMENT BROKERS
EQUIPMENT SOLD, PURCHASED RENTED, LEASED
ALL PRICES EXCLUDE VAT AND CARRIAGE
TEL. NEWPORT 0633 211243.

EUROTECH
25 CHEPSTOW ROAD
NEWPORT, GWENT, U.K.

WW - 105 FOR FURTHER DETAILS



YAESU MUSEN

FOR THE FINEST VALUE IN THE WORLD

THE FRG7 Synthesised General Coverage Communications Receiver



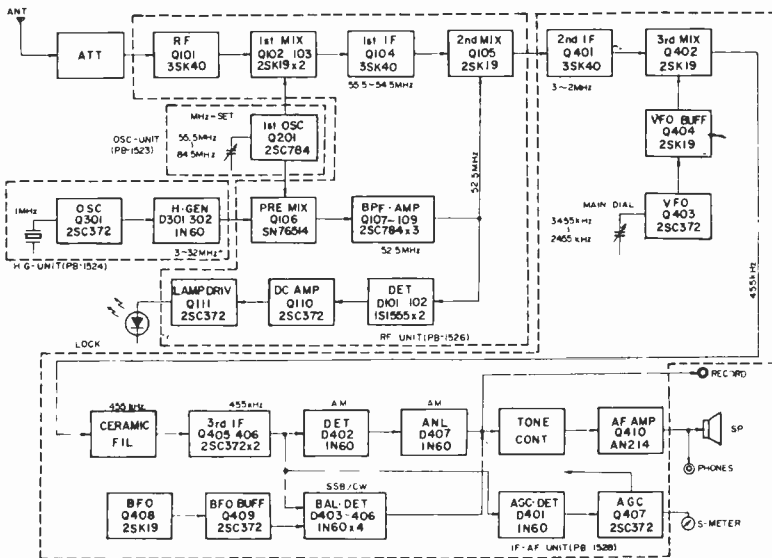
The FRG7 is a solid state mains and 12v. receiver offering continuous coverage 0.5—30 MHz with specifications unparalleled in its price range.

Its advanced circuitry provides superb performance for professional or amateur alike: search, monitor, test, amateur or broadcast band applications.

The use of a Wadley loop (using the same VHF oscillator to mix up, then after pre-mixing with a stable crystal source down again (this cancelling all drift from the variable oscillator). It provides equivalent performance to 30 crystal controlled converters feeding a low IF, but without the image problems of such an arrangement.

The signal path starts with the choice of 3 antenna connectors: for 1.6-30 MHz, a 50/75 ohm feed (to a SO239 (UHF) coax socket and a binding post) and for 0.5-1.6 MHz (medium wave) a separate high impedance binding post. A 3 position 0-40dB switchable attenuator aids reception of very strong signals and reduces adjacent channel interference. The low noise MOSFET RF amplifier provides a SSB sensitivity of 0.25 μ V (for 10dB N+S/N at 10.5 MHz) and is sharply tuned by a well calibrated "pre-selector" capacitor with 4 band switched coils. Its output is low pass filtered ($f_c=35$ MHz) removing VHF image problems from the following mixer. This comprises a pair of JFETs, driven by the "MHz set" 55.5—84.5 MHz, oscillator, which upconverts the signal to the band pass first IF to 55 MHz \pm 500 KHz where it is MOSFET amplified. The second IF of 2-3 MHz is produced by a FET mixer by hetrodyning with the synthesiser derived 52.5 MHz signal. A 1 MHz crystal oscillator and diode harmonic generator produces a 3-32 MHz comb spectrum. This, with the first hetrodyne oscillator (MHz set) is fed to a dual balanced i.c. pre-mixer. The output is expurgated by a multiple stage selective amplifier producing the 52.5 MHz second oscillator. A small fraction of this is rectified, DC amplified and lights the 'lock' LED (saving power) when the MHz oscillator is malset. The 2-3 MHz signal is MOSFET amplified and fed to the third mixer (a JFET whose input and output are tuned by capacitors ganged to the main tuning control) where it is hetrodyned to the final IF by the main VFO which covers a 1 MHz range (2.455-3.455), is clearly calibrated, to 5 kHz (or better), well buffered and highly stable. The third (455 kHz) IF starts with the ceramic selectivity element and is followed by two stages of bipolar (the first in the signal path) amplification before the choice of detectors; twin diodes for AM, or a 4 diode product detector,

with well buffered switched frequency (for selectable sidebands) B.F.O. A diode rectifies, a fraction of the output from the final IFT, this is boosted to drive the illuminated "S" meter and automatically gain control the MOSFET amplifier in the RF, second and third IF stages, reducing fading and distortion. Immediately following the demodulator is an automatic noise limiter, highly effective in suppressing pulse type interference on AM signals, and a three position "tone" switch a (high, low or band pass) audio filter, reducing the bandwidth to that required. A transformerless AF amplifier delivers a generous 2W to the internal 5" x 3", or external speaker, drives a phone jack, and a "volume" independent output for tape recorder. The receiver is, mains (234VAC), external (12v DC) or internal dry cell powered, the most economic source being automatically chosen. This is reduced to a stable regulated 10v. (or 9v. for oscillator and the harmonic generator). A dial lamp switch is provided to conserve power on battery operation.



**PERFORMANCE WITH ECONOMY
WORLD WIDE WIRELESS**

CONSERVATIVE SPECIFICATIONS

FREQUENCY RANGE 0.5-30MHz
General coverage in 4 bands
AUDIO DISTORTION less than 10% at 2W output
AUDIO OUTPUT more than 2W.
ANTENNA IMPEODANCE 50-75 ohms. Unbalanced for 1.6-30MHz. High impedance for 0.5-1.6MHz.

MODES SSB (selectable USB&LSB) AM, AM / ANL, or CW
CIRCUITRY 13 bipolar and 9 field effect transistors 2 ICs and 16 diodes
SIZE 13 1/2" W x 6" H x 11 1/2" D
POWER REQUIREMENTS 13.5V DC Neg ground or 8 off HP11 or 100/110/117/220/234V AC 50/60 Hz.

FREQUENCY STABILITY within 500HZ during any 30 mins after warm up.
SELECTIVITY \pm 3KHz at 6dB (nominal) and \pm 7KHz at -60dB down.
WEIGHT 15 1/2 lbs without batteries.
SENSITIVITY 0.25 μ V for 10dB N+S:N ratio for SSB and CW. 0.7 μ V for 30% modulated AM at 10.5 MHz.

OUR AGENTS

Amateur Electronics
508-514 Alum Rock Road
Alum Rock
Birmingham B8 3HX

South Midlands Communications Ltd.
S.M. House, Osborne Road
Totton
Southampton, Hampshire SO4 4DN

Western Electronics (UK) Ltd.
Fairfield Estate
Louth
Lincolnshire LN11 0JH

WW-082 FOR FURTHER DETAILS



WILMSLOW AUDIO

The firm for Speakers

HI-FI DRIVE UNITS



PA GROUP & DISCO UNITS



WILMSLOW AUDIO

KITS FOR MAGAZINE DESIGNS etc.



SPEAKER KITS



Audax HD12.9 D25	£7.50
Audax HD20B25J4	£10.95
Audax HD11 P25EBC	£6.95
Baker Superb	£22.50
Castle BRS/DD	£9.95
Coles 4001	£5.90
Coles 3000	£6.25
Celestion HF1300 II	£7.50
Celestion HF2000	£9.75
Dalesford D20/105 4"	£9.95
Dalesford D30/110 5"	£9.95
Dalesford D50/513 6 1/2"	£10.95
Dalesford D50/200 8"	£10.95
Dalesford D70/250 10"	£24.95
Dalesford D100/310 12"	£30.95
Decca London	£37.25
Decca CO/1000/B	£7.95
Decca DK30	£24.50
Elac TW3/04	£2.95
Elac 6RM171	£4.35
Elac 6NC204	£6.50
Elac 8NC298 d/c	£6.75
Elac 8NC245 bass	£5.65
E.M.I. 14A/770 14" x 9"	£12.50
E.M.I. 8" x 5" d/c 10 watt	£3.95
Goodmans Axent 100	£8.50
Goodmans Twinaxiom 10" 8Ω	£10.95
Isophon KK10/B	£8.25
Isophon KK8/B	£7.50
Jordan Watts Module	£17.95
Jordan 50mm Unit	£22.50
Jordan CB Crossover	£22.50
KEF T27	£8.50
KEF T15	£10.75
KEF B110	£10.95
KEF B200	£11.95
KEF B139	£24.95
KEF DN13	£4.95
KEF DN12	£7.25
Lowther PM6	£39.95
Lowther PM6 MKI	£42.95
Lowther PM7	£78.95
Peerless DT10HFC	£9.50
Peerless K010DT	£8.25
Peerless K040MRP	£10.50
Radford BD25 II	£26.95
Radford MD9	£14.50
Radford MD6	£17.95
Radford FN8/FN831	£19.95
Richard Allan CG8T	£8.95
Richard Allan CG12T Super	£19.50
Richard Allan HP88	£13.50
Richard Allan LP88	£9.25
Richard Allan HP12B	£21.50
Richard Allan DT20	£6.25
Richard Allan DT30	£6.95
Tannoy HPD 295A	£83.00
Tannoy HPD 315A	£93.00
Tannoy HPD 385A	£110.00

Baker Group 25	£13.00
Baker Group 35	£14.50
Baker Group 50/12	£21.00
Baker Group 50/15	£25.75
Baker Auditorium 12"	£21.00
Baker Auditorium 15"	£25.75

Celestion G12M	£12.95
Celestion G12H	£16.95
Celestion G15C	£27.95
Celestion G18C	£39.95
Celestion G12/50 2244/5	£21.95
Celestion G12/50 2235/6	£19.95
Celestion G12/50 2238/9	£20.50
Celestion G12/50 2241/2	£21.50
Celestion Powercell 12"/100	£43.95
Celestion Powercell 15"/100	£46.95
Celestion Powercell 15"/125	£49.95

Fane Pop 33T	£10.95
Fane Pop 50	£12.50
Fane Pop 55	£16.95
Fane Pop 60	£19.95
Fane Pop 70	£21.95
Fane Pop 100	£35.95
Fane Guitar 80L	£19.75
Fane Guitar 80B	£19.95
Fane Disco 80	£21.50
Fane PA80	£19.50
Fane Bass 85	£29.95
Fane Crescendo 12A	£42.95
Fane Crescendo 12B	£44.95
Fane Crescendo 15/100	£54.95
Fane Crescendo 15/125	£64.95
Fane Crescendo 18	£75.95
Fane 920 II Horn	£45.95
Fane HPX1/HPX2	£2.50
Fane PH50	£6.50

Goodmans BPA	£3.95
Goodmans 10P	£6.95
Goodmans 12P	£16.95
Goodmans 12PD	£18.95
Goodmans 12PG	£18.25
Goodmans 15P	£24.00
Goodmans 18P	£39.95
Goodmans 50HX	£18.95

Motorola Piezo Horn £8.50

Richard Allan HD8T	£12.95
Richard Allan HD10T	£13.25
Richard Allan HD12T	£18.75
Richard Allan HD15	£29.95
Richard Allan HD15T	£30.50

Kits include drive units, crossovers, BAF/Long fibre wool, etc. for pair of speakers. Carriage £3.50.

Practical Hifi & Audio PR09-TL (Rogers) £118
Felt panels for PR09-TL £5.50 + £1.50 p&p

Hifi Answers Monitor (Rogers) £129
Hifi News State of the Art (Atkinson) £161
Hifi News No Compromise (Frisby) £126

Popular Hifi Mini Monitor (Colloms) £63

Practical Hifi & Audio Monitor (Giles) £119
Practical Hifi & Audio Triangle (Giles) £76

Hifi News Tabor (Jones) £57.75
Hifi News Tabor (with H4 bass units) £65

Wireless World Bookshelf (Wilkinson) £56.50

Wireless World T.L./KEF (Bailey) £112
Wireless World T.L./Radford (Bailey) £154

Send 3 x 7p stamps for reprints / construction details of any of above designs

CARRIAGE & INSURANCE

Tweeters/Crossovers	40p each
Speakers up to 10"	75p each
Speakers 12"	£1.25 each
Speakers 15"	£2.00 each
Speakers 18"	£2.95 each
Speaker Kits	£2.50 pair
Mag design kits	£3.50 pair

Prices per pair. Carriage £2.50.

Dalesford System 1	£51.50
Dalesford System 2	£53.75
Dalesford System 3	£99.75
Dalesford System 4	£106.00
Dalesford System 5	£131.00
Dalesford System 6	£91.00

Eagle SK210	£13.90
Eagle SK215	£23.50
Eagle SK320	£33.50
Eagle SK325	£51.00
Eagle SK335	£65.90

Goodmans DIN20	£31.50
Goodmans Mezzo Twinkit	£51.95

Lowther PM6 Kit	£81.75
Lowther PM6 MKI Kit	£86.97

Peerless 1060	£61.50
Peerless 1070	£109.90
Peerless 1120	£123.00
Peerless 2050	£43.95
Peerless 2060	£58.50

Radford Studio 90	£154.00
Radford Monitor 270	£208.00
Radford Studio 270	£275.00
Radford Studio 360	£390.00
Richard Allan Twin	£29.90
Richard Allan Triple 8	£45.50
Richard Allan Triple 12	£55.90
Richard Allan Super Triple	£65.90
Richard Allan RAB	£42.75
Richard Allan RA82	£67.75
Richard Allan RA82L	£73.50

Seas Mini	£17.90
Seas 203	£35.50
Seas 302	£43.90
Seas 303	£73.90
Seas 503	£111.90

Wharfedale Denton 2XP	£26.95
Wharfedale Linton 3XP	£41.95
Wharfedale Glendale 3XP	£56.95

Everything in stock for the speaker constructor!
BAF, long fibre wool, foam, crossovers, felt panels, components, etc.
Large selection of grille fabrics:
(Send 15p stamps for samples)
(Prices correct at 18/10/77)

SWIFT
OF WILMSLOW
The firm for Hi-Fi
5 Swan Street,
Wilmslow, Cheshire.

Send 15p stamp for free 38 page catalogue 'Choosing a Speaker'

Telephone: Speakers, Mail Order and Export:
Wilmslow 29599 Hi-Fi: Wilmslow 26213

Lightning service on telephoned credit card orders!

**WILMSLOW
AUDIO**
The firm for Speakers

Swan Works, Bank Square,
Wilmslow, Cheshire.

Appointments

Advertisements accepted up to 12 noon Monday, November 28, for the January issue, subject to space being available.

DISPLAYED APPOINTMENTS VACANT: £7.50 per single col. centimetre (min. 3cm).
LINE advertisements (run on): £1.10 per line, minimum three lines.
BOX NUMBERS: 50p extra. (Replies should be addressed to the Box Number in the advertisement, c/o Wireless World, Dorset House, Stamford Street, London SE1 9LU.)
PHONE: Eddie Farrell on 01-261 8508
Classified Advertisement Rates are currently zero rated for the purpose of V.A.T.

Land a good job

Your
Radio Officer's
qualifications
can mean a lot
here on shore

If you're thinking of a shore-based job, here's where you'll find interesting work, job security, good money, and the opportunity to enjoy all the comforts of home where you appreciate them most – at home!

The Post Office Maritime Service has vacancies at Portishead Radio and some of its other coast stations for qualified Radio Officers to undertake a wide variety of duties, from Morse and teleprinter operating to traffic circulation and radio telephone operating.

To apply, you must have a United Kingdom Maritime Radio Communication Operator's General Certificate or First Class Certificate of Proficiency in Radio-telegraphy or an equivalent certificate issued by a

Commonwealth Administration or the Irish Republic. And, ideally, you should have some sea-going experience.

The starting pay at 25 or over works out at around £4093; after three years' service this figure rises to around £5093. (If you are between 19 and 24 your pay on entry will vary between approximately £3222 and £3732). Overtime is additional, and there is a good pension scheme, sick-pay benefits, at least 4 weeks' holiday a year, and excellent prospects of promotion to senior management.

For further information, please telephone Andree Trionfi on 01-432 4869 or write to her at the following address: ETE Maritime Radio Services Division (L690), ET17 1 2, Room 643, Union House, St. Martins-le-Grand, London EC1A 1AR.

Post Office Telecommunications

HEAD OF TECHNICAL SERVICES

PLYMOUTH

SALARY £4759 to £5512 (including supplements)

A well qualified and experienced television engineer is required to take charge of a broadcast colour studio and all associated control, telecine and recording areas. In addition to normal operation and maintenance the person appointed will be expected to play an active role in the development of new facilities incorporating digital techniques.

For further details and application form, please write to **CHIEF EDUCATION OFFICER (BR6), DEVON COUNTY COUNCIL, COUNTY HALL, EXETER, EX2 4QG, DEVON.**

(7665)

HAMPSHIRE SYSTEMS ENGINEERS

Our client requires Systems Engineers to provide tendering / sales engineering back-up for mobile radio / paging equipment. Some overseas travel involved. Previous experience in VHF / UHF and paging systems essential.

For details of these challenging and highly rewarding positions please write or telephone: —

L. Smith, Personnel and Recruitment Manager
AMEECO (PERSONNEL SERVICES) LTD.
Ameeco House, Bentalls, Basildon, Essex
Telephone: Basildon (0268) 284361

ameeco



(7668)

YOUNG ELECTRONICS ENGINEER

for Central London
(W1) Company

We need a young person (17-18) with some practical experience (preferably in Digital Electronics) to join our small team working on electronic cash registers and calculating machines.

On the job further training and every opportunity for advancement given.

A good starting salary, with rapid progress will exist in this career job. 9.00-5.30. 5-day week, generous holidays

Telephone or write to: **Mr. Norman, Geller Business Equipment Ltd., 15 Percy Street, London, W.1. Tel: 01-580 1614.**

(7714)

Do us a service and put us to the test

Service and Test Engineers

As aircraft and electronics equipments become more sophisticated and our servicing programme expands, the need for experienced Service and Test Engineers increases.

At Stanmore, we are involved in the provision of spares and the repair, maintenance and overhaul of a variety of British and American airborne electronic equipment.

We need Engineers who can successfully maintain the high standards and efficiency required both in the aircraft and the workshop.

MARCONI ELLIOTT AVIONICS

A GEC-Marconi Electronics Company

It's skilled work, calling for sound practical experience of radio and electronics theory, ranging from audio to microwave and including the use of advanced test equipment for fault diagnosis. Training in this field will be given to suitable, less experienced engineers.

The Company offers excellent salaries and benefits together with first-class working conditions in well-equipped workshops. This Unit is conveniently situated in pleasant surroundings within easy reach of the A1 and M1.

If the job sounds interesting and you'd like to put us to the test, write with details of experience to:
Mrs. E. Wagg,
Marconi-Elliott Avionic Systems Ltd.,
22-26 Dalston Gardens, Stanmore, Middlesex
HA7 1BZ. Tel: 01-204 3322.

7654

SENIOR ENGINEER

Links Outside Broadcast Unit Hanworth

The above vacancy exists at the Hanworth Division of Thames Television.

Duties involve the maintenance and operation of microwave links and communications equipment, planning and surveying microwave paths.

Candidates should have extensive engineering knowledge together with the appropriate qualifications. Salary for this position will be not less than £6,000 per annum.

For further details and an application form please contact

Mr. I. D. McGuinness,
Staff Relations Officer,
Thames Television Limited,
306-316 Euston Road,
London NW1 3BB.
Telephone 01-387 9494
extension 338.

(7683)



JOIN THE DIGITAL REVOLUTION

Do you have several years experience in the design of high speed digital signal and/or data processing equipment? If so why not contact Pye TVT Limited, where new appointments are to be made at Senior Development Engineer level?

The work will take place in our modern Studio Engineering Laboratory and the successful candidates will be involved in all aspects of the project assigned to them.

A degree or equivalent qualification is required for these positions together with proven digital design experience. Software design experience is an advantage and experience in the broadcast TV equipment field is highly desirable. Occasional travel overseas will be necessary.

Benefits are all those normally associated with a progressive company and include in approved cases relocation expenses to this pleasant part of East Anglia.

Please write or telephone: Dave Barnicoat, Personnel Officer,
Pye TVT Limited, PO Box 41, Coldhams Lane, Cambridge CB1 3JU.
Telephone Cambridge 45115

MARINE ELECTRONICS TECHNICAL OFFICER

An electronics Technical Officer is required to assume duty as soon as possible after 31st January, 1978, in the Marine Geoscience Group of the Department of Geology. Duties will include the maintenance and development of marine geophysical equipment, both in the laboratory and at sea. Some experience in this field would be a recommendation. The successful applicant will spend several 2-3 week cruises per year aboard the University's research vessel "Thomas B. Davie".

In addition to a salary on the scale R4040 x 180 - 5100 x 240 - 5580 // x 240 - 6300 // x 360 - 6660 per annum plus a pensionable allowance of 10% of salary, the University offers a variety of excellent fringe benefits.

Further details may be obtained from the Professor of Marine Geoscience, Department of Geology, University of Cape Town, Rondebosch, 7700 South Africa

Applications giving names of two referees must reach The Registrar, University of Cape Town, Private Bag, Rondebosch 7700, by 31st January, 1978.

The University reserves the right to appoint a person other than one of the applicants or to make no appointment.

7722



Pye TVT Limited

The Broadcast Company of Philips

DESIGN/DEVELOPMENT ENGINEERS

Ferranti wins Army contract.

Ferranti land space order.

**1200 MORE JOBS FOR
FERRANTI EXPANSION**

MoD order goes to Ferranti.

Come and make headlines with us.

Headlines like these are only possible when you're acknowledged internationally as one of the world's leaders in avionics. To keep us at the forefront we need highly motivated design/development engineers keen to make their mark. And at Ferranti there's plenty of opportunity to do just that. On projects like the Tornado, Sea Harrier, Jaguar and Lynx.

And headlines like these also mean expansion. Which explains why we're looking for more graduate mechanical and electronic engineers to join our airborne radar and inertial navigation teams. They must have the design/development experience to spearhead the progress of equipment from drawing board through to production.

We are particularly interested in talking to engineers with backgrounds in the design of:-

Digital/analogue circuitry.

Advanced instruments.

Microwave and laser techniques.

Optics.

Small digital computers.

Airborne structures and light mechanisms.

So if you're keen to make your mark on avionics, you'll find you're very much on our wavelength.

Think about it. Then ask the family how they'd like living in Edinburgh, freely acknowledged as one of Europe's finest cities.

Salaries are negotiable and, of course, we operate a contributory pension and life assurance scheme and pay realistic relocation expenses.

For an application form, write to John McPhee at the address below:

**Ferranti Limited
Ferry Road
EDINBURGH EH5 2XS
Tel: 031-332 2411.**

These posts are open to both male and female candidates.

(7000)

FERRANTI

Printed Circuit Design Engineers

To meet the challenge presented by future telecommunications systems, S.T.C. one of the leaders in the field of electronic telephone switching equipment, require Printed Circuit Design Engineers to work in the Equipment Design Department.

Using logic information supplied, the job is to design and check printed circuit layouts to meet circuit parameters and manufacturing constraints, and to digitise and edit these layouts. To assist their work, the Designers will have access to the most advanced interactive graphic design aids.

The required qualifications are a minimum of ONC Electrical or Mechanical Engineering or equivalent, with previous experience in Printed Circuit Design and Mechanical Drawing Office practises. We are offering competitive benefits and very good prospects to the right men or women.

The positions are being offered at the New Southgate location of S.T.C. which is on the outskirts of North London. The location is well established and pleasantly situated with all the extra amenities and facilities that a large Company can provide.

For further information please phone or write to:

Mike Randal (Department 32210),
Switching Main Exchange Products Division,
Standard Telephones and Cables Limited, Oakleigh Road South,
New Southgate, London N11 1HB. 01-368 1200 Ext. 3066.

Standard Telephones and Cables Limited

A British Company of **ITT**

(7655)

APPOINTMENTS IN ELECTRONICS

Take your pick of the permanent posts in:

MISSILES — MEDICAL
COMPUTERS — COMMS
MICROWAVE — MARINE
HARDWARE — SOFTWARE

For expert advice and immediate action on career improvement, phone, or write to, Mike Gernat BSc.

Technomark
Engineering and Technical Recruitment

11 Westbourne Grove
London W2. 01-229 9239.

7098

ROYAL COLLEGE OF ART TELEVISION TECHNICIAN

Is required in the School of Film and Television to assist in the daily operation and maintenance of a colour television studio equipped to broadcast standards. A sound knowledge of colour television systems is essential and some experience with studio equipment would be an advantage. Candidates should hold C & G Part II Certificate or equivalent although Part I Certificate holders may be considered.

The salary will be in the range £3376-£3855 according to qualifications and experience. 4 weeks' holiday. Pensionable appointment.

Interested applicants should write giving full details of previous experience, etc., to: Mr. H. Denyer, Royal College of Art, Kensington Gore, SW7 2EU.

(7678)

CHelsea COLLEGE
University of London

ELECTRONICS TECHNICIAN

Grade 3 required as soon as possible by the Department of Pharmacy. The job involves the repair and maintenance of scientific equipment with some construction and design work. Experience and/or electronic qualifications are necessary. Salary in the range £2930-£3276 per annum (inclusive of London Allowance and Supplements). Application forms from the Manager of Technical Services, Department of Pharmacy, Chelsea College, Manresa Road, SW3 6LX. Closing date: 30th November 1977.

PUBLIC ADDRESS ENGINEER

Applications are invited for persons with knowledge of public address work at conferences and exhibitions. A driving licence is essential.

An intelligent practical person with limited experience and willing to learn would be considered.

A good salary with opportunity for overtime will be offered to successful applicants. Please write giving age and previous experience to:

GRIFFITHS HANSEN (RECORDINGS)
LIMITED

12 Balderton St, London W1Y 1TF (7664)

THE POLYTECHNIC OF CENTRAL LONDON
School of Engineering and Science

TECHNICIAN GRADE 3

for an expanding group working in communication and computer fields. Experience in electronics and workshop practice necessary. ONV or ONC or 2 A levels or Ord. C&G with at least 3 years' experience required £2790-£3120 + suppl. max. £208. Apply to the Establishment Officer, PCL, 309 Regent Street, London, W1R 8AL. 01-580 2020. Ext 212.

7703

IMPERIAL COLLEGE TECHNICIAN GRADE 5

required to assist in the maintenance and operation of the S.R.C. sponsored AEI EM7 1 MEV high voltage electron microscope. The successful candidate will work under the guidance of a Grade 7 Technician to maintain and improve a wide range of electromechanical, electronic and vacuum systems, so that a knowledge of electronics and electron optic instruments would be an advantage. The nature of the work is not routine and candidates must be prepared to adapt to changes in work requirements. The duties of the successful candidate will also include involvement in cine film and video tape editing.

Salary range £3377-£3761 including London weighting

Applications giving details of qualifications and experience together with the names of two referees should be sent before 30 November 1977 to Mr. G. J. Green, Department of Metallurgy and Materials Science, Imperial College of Science and Technology, Prince Consort Road, London SW7 2BP.

(7695)

UNIVERSITY COLLEGE HOSPITAL
MEDICAL SCHOOL

requires an

AUDIO-VISUAL TECHNICIAN

to take charge of the Audio-Visual Aids Department. Salary within University of London VA Technicians' scale £2929 to £3276 inclusive of London Allowance Superannuation benefits

Applications, giving the names of two referees, to the Secretary, University College Hospital Medical School (WW), University Street, London, WC1E 6JJ, from whom further particulars may be obtained

7719

ELECTRONIC ENGINEERS

Required to join a progressive research team as Research Engineers. Applicants should be conversant with electronic circuit design, both analogue and digital. A knowledge of stepping motors and servo systems an advantage.

This is a challenging position and will appeal to those engineers who enjoy combining both their theoretical and practical abilities. A B.Sc. or equivalent is the required qualification.

Please write with full personal and career details or telephone for an application form 01-205 7050.

Personnel Officer

DESOUTTER BROTHERS LIMITED
The Hyde, Hendon, London NW9

FIELD & BENCH ENGINEER

required for work on radio
telephone equipment

573-4541

(7609)

CAPITAL APPTS.

FREE LISTS

101 Design/Development
and Test Jobs
Permanent and Contract
To £6,000

(7708)

637 5551



Technician Engineers

The Plessey Development Laboratory at Havant, Hampshire, is sub-contractor for the most advanced VHF communications system ever to be developed for the British Army. This system - known as "Single Channel Radio Access" - allows mobile subscribers to use the Ptarmigan trunk telephone network for both voice and data messages.

We are now proceeding with the second phase of development, creating new career opportunities for Technician Engineers who wish to advance their knowledge.

What jobs are on offer?

We are looking for Technician Engineers with a minimum of 5 years' relevant experience in industry or H.M. Services to work in the following fields.

VHF Radio Equipment Development and Evaluation

Successful candidates will be responsible for getting development models of transmitters and receivers working and characterising their electrical and environmental performance under a wide variety of conditions.

Development of Special Purpose Test Equipment

This new development of automatic test equipment for use in the Army's Electronic Repair Vehicles will interest candidates with a knowledge of ATE and associated programming techniques.

Development and Evaluation of Digital Logic Modules

Candidates with a special interest in digital circuits and systems will find opportunities to work under the guidance of experienced senior engineers on the most up-to-date techniques, including microprocessors.

What qualifications?

The type of work we do needs people with plenty of solid practical experience of transistorised equipments, a common sense approach and a willingness to work with others towards a common goal. However, if you have the experience we are looking for, it is likely that you will also possess a City & Guilds Full Tech. Cert., ONC or HNC.

Salaries and career prospects

We operate a separate career structure for Technician Engineers which offers plenty of opportunity for promotion. You could become a Principal Technician Engineer in charge of a small section, while the exceptional younger person would be encouraged to qualify to transfer into the Professional Engineering grades. Because our plans for business expansion are soundly based on a full order book for a wide range of both government sponsored and private venture products, we can offer you both job stability and the up-to-date experience which is essential to our future growth.

Technician Engineers are recognised as important members of our teams and are rewarded accordingly. These jobs will carry salaries up to £4,000 p.a.

Situated in a semi-rural environment near Portsmouth, Chichester, the South Downs and several seaside resorts, we are well placed for housing, educational and recreational amenities. Relocation assistance will be given and there is a comprehensive range of large company benefits.

Please write with brief career details or telephone for an application form. L. Wise, Recruitment Manager, The Plessey Company Limited, Martin Road, West Leigh, Havant, Hants. Tel: (07012) 6391. Applications are invited from either sex.

 **PLESSEY**

Instrumentation Technologist

Salary c. £4,500

Redland Technology provide Research and Development services for manufacturing divisions of the Redland Group who manufacture materials and building components for the construction industry.

The post available is for an electronics engineer or physicist to work in the instrumentation section of the research centre, set in pleasant countryside at Graylands, Horsham, Sussex.

The successful candidate will be responsible for designing and constructing specialised instrumentation systems and for advice and consultation services on suitable techniques for process control and materials testing. He/she will be provided with technical support staff.

The work involves the measurement of a wide range of parameters, but particularly load, vibration, noise, temperature. A microcomputer is available to analyse data recorded on FM tape. Projects often result in the development of novel solutions which, where appropriate, will be patented.

Minimum qualifications are a degree or HNC in an appropriate subject plus at least two years relevant experience. Car ownership would be an advantage as some travelling will be necessary.

Please write in the first instance to:

Dr. R. A. Hazelwood, Redland Technology Limited, Technology and Product Development Centre, Graylands, Horsham, Sussex. Tel: Horsham 2351 Ext 281

Redland Technology

7712

THE UNIVERSITY OF LIVERPOOL

DEPARTMENT OF INORGANIC, PHYSICAL AND INDUSTRIAL CHEMISTRY

TECHNICIAN

The successful applicant will work on the maintenance, repair and construction of a wide range of scientific instrumentation, involving high stability power supplies, amplification of low level signals (including lock-in amplification) R.F. techniques and digital and analogue techniques. Salary in a range up to £3367 per annum (under review).

Application forms may be obtained from the Registrar, The University, P.O. Box 147, Liverpool L69 3BX. Quote ref. RV/590/WW.

(7679)

Immediate opportunity in Amman, Jordan, for **ELECTRICIAN/ELECTRONICS TECHNICIAN**

to join staff of new Army museum. Will have sole charge of sophisticated British designed electrical system including electronically controlled audio-visual installation. Appointment for approx. one year, during which time applicant will train Jordanian national. An interesting and responsible post. Salary by arrangement. All Jordanian expenses paid.

Please write in first instance Box No. WW7730.



CAPITAL APPOINTMENTS LTD.

FREE JOBS LIST

for **FIELD SERVICE ENGINEERS**. **BASIC SALARIES TO £5,000 + CAR**

(7707)

30 Windmill Street, London. W1
01-637 5551

SALES MANAGER for Mainline Electronics

The Mainline division of Crellon Electronics has been formed to supply electronic components to the amateur market.

The division requires a Manager (male or female) with entrepreneurial flair and drive to take over sales and marketing.

Applicants, who must have considerable experience in this field will be fully responsible for the total promotion of the division's products - and directly concerned with its profitability.

Salary around £5,000 plus a generous profit sharing scheme which should produce over £7,500 p.a.

Write or telephone:

Alan Thompson
Mainline Division
Crellon Electronics Ltd.
380 Bath Road, Slough, Berks.
Tel: Burnham (06286) 4434

7658

WILTSHIRE AREA HEALTH AUTHORITY
Area Physics Service

Medical Physics Technician (GRADE IV)

Required for this new department which provides an Area physics service (centred on the City of Bath) and serving ultimately three health districts. The person appointed will be assisting with the provision of physics service chiefly to the clinical measurement activities in the Area. An interest in electronic techniques and instrumentation desirable.

Salary: £2346-£3267 per annum plus supplements.

Job description and application forms are available from the Area Personal Officer, Wiltshire Area Health Authority, Rowden Hill House, Chippenham, Wilts SN15 2AN. Tel. 0249-51251 ext. 236.

Closing date: 12th December, 1977.

(7727)

MARINE ELECTRONICS FIELD ENGINEER experienced install & service SSB VHF radar, autopilots electronics. Able to work on own initiative. Home and abroad. Must live in or near London. The right person could advance to management level. Telesonic Marine Ltd., 243 Euston Road, NW1. (7680)

RADIO - TELEPHONE ENGINEERS Experienced in V.H.F. mobile equipment. Top salaries for top ability. We are a young progressive company currently the busiest, and fastest expanding radio-telephone firm in London. Ring London Communications on 01-328 5344 ask for Mike Rawlings or Bill Clarke. (7356)

H.M.G.C.C.

has vacancies for

ELECTRONIC ENGINEERS

to work in fields of:

- a. VHF/UHF communications equipment design.
- b. General circuit design analogue and digital.

Qualifications

Candidates should have one of the following academic qualifications

- i. Degree in Science or Engineering
- ii. Degree standard membership of a Professional Institution
- iii. HNC or HND in a scientific or engineering subject

or equivalent qualifications.

Experience

For the grade of Higher Scientific Officer the following post-qualification is also required, 2 years for candidates with 1st or 2nd Class Honours degrees and 5 years for other candidates.

Salaries

Scientific Officer (under age 27)	£2462-£3840
Higher Scientific Officer	£3567-£4767

A pay supplement of £313.20 per annum is included in the above salary scales. An additional supplement of 5% of total earnings subject to a minimum of £130.50 per annum and a maximum of £208.80 per annum is also payable.

Application forms may be obtained from:



The Administrative Officer
 HM Government Communications Centre
 Hanslope Park
 Hanslope
 Milton Keynes MK19 7BH

Metropolitan Police Office

Tape Recording Specialist

... to work in the Tape Laboratory, Camberwell, London, on copying and processing tapes, and preparing tapes for specialist tape recorders. Duties also include giving evidence in Court about work carried out on tapes, and occasionally analysing various phenomena of tape recordings using specialist analytical equipment and then acting as expert witness in Court. The successful candidate will be responsible for own case work (initial training given) and will work in close collaboration with Police Officers and with the various Constabularies which will necessitate travel anywhere in the country.

Candidates (aged at least 21) must have ONC in Engineering (with a pass in Electrical Engineering "A") or C&G Radio, TV and Electronics Technicians Cert. No. 272, or an equivalent or higher qualification. In addition, they should have a thorough understanding of tape recorders and recording techniques; have experience of work in professional broadcast studios on audio and video tape recorders; and be fully conversant with checking tapes for quality and defects.

Salary starting between £3490 and £4460 (according to age) and rising to £4765. Promotion prospects. Non-contributory pension scheme.

For further details and an application form (to be returned by 8th December, 1977), write to Civil Service Commission, Alencon Link, Basingstoke, Hants RG21 1JB, or telephone Basingstoke (0256) 68551 (answering service operates outside office hours). **Please quote T/9625.**

(17656)

ELECTRONICS ENGINEER

(LIGHTING CONTROL SYSTEMS)

We are a leading company in the field of thyristor controlled lighting and associated equipment, including standby power sources, power distribution and industrial control. A high percentage of our production is exported.

We require an Electronics Engineer to carry out design and development on both existing and new products. The work encompasses all aspects of design from initial concept and prototypes to final production, and may include some project work.

Applicants should have a minimum qualification of HNC together with some industrial design experience involving analogue and digital techniques. The ability to work with minimum supervision is essential.

Contact: **P. J. Harrison, Technical Director.**



Poaron Controls Limited
60/62 Greenhill Crescent
Holywell Industrial Estate
Watford, Herts WD1 8RL
Tel. Watford (0923) 37144
Telex 922080

7726

IMPERIAL COLLEGE OF SCIENCE AND TECHNOLOGY

TECHNICAL STAFF GRADE 5

Vacancy for electronics technician to construct and develop specialised electronic and electrical equipment, and to assist research groups with electronic instrumentation in the field of control, measurement and data-handling.

Salary range £3377-£3856 per annum inclusive of London weighting and permitted supplement. Four weeks' holiday plus additional days at Christmas and Easter. Superannuation scheme. Sports and social facilities. 37 and half hour, 5 day week.

Apply to Mr. G. J. Green, Department of Metallurgy and Materials Science, Imperial College of Science and Technology, South Kensington, London SW7 2BP.

(7694)

CATHODIC PROTECTION TECHNICIAN

Wisbech

up to £3957

Applications are invited from suitably qualified persons for the above post based in Wisbech, Cambridgeshire.

The successful applicant will be required to carry out resistivity surveys, potential surveys, locations and Pearson surveys, continuity and insulating flange tests and all patterns of interference tests. Responsibilities also include negotiating with Electricity, Water, Post Office and all other Authorities concerned with Cathodic Protection.

Candidates should be experienced in all aspects of Cathodic Protection including installation and maintenance of impressed and sacrificial schemes, ground bed installations, transformer rectifiers, test posts, and all general duties associated with Cathodic Protection.

Salary within the range £2769-£3456 plus Phases I and II pay policy supplements. Excellent conditions of service including sick pay, holiday and pension schemes. The region operates a car mileage scheme.

Apply to Mr. J. G. Hagger, Area Personnel Officer, Eastern Gas, Newmarket Road, Cambridge CB5 8JE. Tel. Cambridge 65341, as soon as possible.

(7686)

EASTERN GAS

SOUTH OF SCOTLAND ELECTRICITY BOARD HUNTERSTON

'A' & 'B' NUCLEAR POWER STATIONS
require

INSTRUMENT CRAFTSMEN

AVERAGE SALARY £77 for 40 hours per week on a 3 shift 5 cycle week pattern or £69 for 40 hours per week for 1-week-end in 4 day stagger pattern.

Full details will be supplied to craftsmen writing for the standard application form and quoting reference 67/IND174/77 to the Manager, Hunterston 'A' & 'B' Nuclear Power Station, West Kilbride, Ayrshire LA23 9QJ.



The above vacancies are open to male and female applicants.

(7684)

SATELLITE COMMUNICATIONS ENGINEERING

Within the International Telecommunications Satellite Organisation (INTELSAT) two types of satellite earth station are used - Standards 'A' and 'B'. Cable and Wireless is the world's largest operator of both types of INTELSAT earth station. Our involvement encompasses ownership, operation, maintenance, consultancy and the lease of earth stations to clients. The Satellite Division plans and coordinates the procurement and commissioning of earth stations, including our own design of Standard 'B' station, and is involved in systems studies for our own network and for projected domestic satellite schemes. Rapid growth in this high-technology field means outstanding opportunities are available to men and women in the following key posts:



Satellite Systems Engineers

You will be involved with the study of satellite systems, and in the preparation of specifications and procurement of earth station sub-systems. You should be numerate and hold a degree or equivalent in electrical engineering, electronics or a related discipline. Experience in microwave techniques or

radio communications is essential, and experience in satellite communications systems engineering would be advantageous. Candidates with specialised experience in related fields (such as digital radio, antenna theory or microwave propagation) will also be considered.

Satellite Earth Station Planning Engineers

You will be concerned with the planning of satellite systems and the preparation of specifications, tender evaluations, procurement and installation of earth station sub-systems. You should hold an HNC or equivalent in electrical engineering, electronics or a related discipline, and membership of the Institution of Electrical Engineers or the Institution of Electronic and Radio

Engineers would be an added advantage. Experience in microwave techniques or radio communications is essential, and experience in satellite communications systems engineering would be an advantage. Candidates with field operations experience but without planning experience will also be considered.

All posts are London-based, but as most of our business is overseas, you will make short trips abroad.

Starting salaries (currently under review) will be around £5,000 rising to £6,000 in annual increments. Subsequent promotion, leading to salaries of £7,600, is possible. Benefits are those to be expected of an

international company, and includes relocation assistance where necessary.

Please telephone or write with full CV to:

Recruitment Manager,
Dept. A907/749,
Cable & Wireless Limited,
Mercury House, Theobalds Road,
London WC1X 8RX.
Tel: 01-242 4433 ext. 4059.



Cable & Wireless

(7685)

Leaders in International Telecommunications

Radio Frequency Spectrum Engineering

Team Leaders

The Directorate of Radio Technology, Central London, provides the technical expertise and engineering support for forming and implementing management policy, and is concerned with all aspects of spectrum engineering. It is also involved in the technical preparations for the 1979 World Administrative Radio Conference.

The successful candidates will each lead a section dealing with one of the following activities: the forward planning, management and regulation of civil frequency bands; radio propagation over the whole frequency spectrum; specifications and equipment type approval for fixed and mobile services, including microwave links; the application of computer techniques to frequency management problems; the nationwide radio interference service; the provision of technical advice on radio services' licensing; and the operation of an international radio monitoring service.

up to £6,915

Candidates must have qualified for corporate membership of IEE or IERE, and in addition have several years' professional experience. They must have at least two years' experience in a relevant field, and should have a broad outlook enabling them to appreciate the general principles of frequency spectrum engineering.

Starting salary between £5705 and £6915, depending on qualifications and experience. Non-contributory pension scheme. Promotion prospects.

For further details and an application form (to be returned by 9 December 1977) write to Civil Service Commission, Alencon Link, Basingstoke, Hants, RG21 1JB, or telephone Basingstoke (0256) 68551 (answering service operates outside office hours). **Please quote T(D)85/1.**

HOME OFFICE

7681

Engineering Opportunities

Pye Business Communications Limited, a member of the Pye Group of Companies – part of the international Philips organisation – markets, installs, commissions and services a wide range of communications equipment.

The Engineers appointed to the following positions will enjoy the excellent employment conditions associated with a major company

FIELD MAINTENANCE ENGINEERS

- i) To cover Northern England, resident in Central Yorkshire, to work on Intercom and CCTV systems
- ii) To cover Southern Area, preferably resident in Greater London, to work on Intercom and CCTV systems, Radio and Inductive Paging equipment
- iii) To cover Midlands, resident in Birmingham close to Spaghetti Junction, to work on CCTV equipment for which experience of digital techniques is essential

INSTALLATION & COMMISSIONING ENGINEER

– Southern Area, resident North of the Thames, for Private Telephone systems, Intercom and Public Address systems and Paging Equipment
A Final C. & G. Telecommunications Certificate, ONC or equivalent is essential for the above vacancies, together with a clean driving licence. Company cars will be provided.

BENCH MAINTENANCE ENGINEERS

to work at our Wembley Depot on RF and Inductive Loop Paging Receivers and/or CCTV equipment
Minimum qualification of Intermediate C. & G. Telecommunications Certificate required.

Please apply to:

Mrs. Ann Macnab, Personnel Manager,
Pye Business Communications Limited,
Cromwell Road, Cambridge CB1 3HE
Telephone Cambridge 45191



Pye Business Communications Ltd

A member of the Pye of Cambridge Group

7687

CHELSEA COLLEGE
University of London

ELECTRONICS TECHNICIAN

Grade 3 required for the construction and maintenance of electronic equipment in the Electronics Undergraduate Teaching Laboratory, and also to assist with laboratory classes and Audio Visual Aids requirements

Day release for an approved course of study could be arranged. Relevant experience and ONC or equivalent required. Salary £2930-£3276 inclusive. Further information and application forms from Mr. M. E. Cane (3ET), Department of Electronics, Chelsea College, Pulton Place, London, SW6 5PR

7701

THE UNIVERSITY OF LEEDS. Electronics Technician (Grade 5) required, in School of Chemistry Electronics Workshop, to work on the construction and maintenance of electronic equipment. The applicant must be conversant with digital and analogue integrated circuits, printed circuit techniques and electromechanical equipment. Preference will be given to the applicants who have substantial knowledge of, and service experience on, multichannel analysers. Qualification – HNC or equivalent and candidates must have a minimum of 7 years appropriate experience. Salary on a scale £2,889-£3,367 p.a. Applications in writing, giving details of age, experience, qualifications and state of health to Mr. G. Spink, School of Chemistry, The University, Leeds LS2 9JT.

(7720)

VERY EXPERIENCED Electronic Engineer for electronic, keyboard and amplification services. Salary negotiable. Phone Maurice Placyquet 01-749 3232. (7614)

CHELSEA COLLEGE

University of London

ELECTRONICS TECHNICIANS GRADE 5

Vacancies exist in our Electronics Workshop and Electronics Research Laboratory. Interesting prototype design and development plus servicing or experimental work. Relevant experience essential. Salary in the range £3377-£3856 per annum (inclusive of London Allowance and Supplements)

Application forms and further details from Mr. M. E. Cane (5E), Department of Electronics, Chelsea College, Pulton Place, London SW6 5PR. (7710)

SENIOR ELECTRONICS ENGINEER for Department of Space Research, programme of satellite and related experiments, in particular for Spacelab II. At least 7 years experience of designing analogue and digital circuitry required, familiarity with high reliability applications, computer interfacing techniques and microprocessors an advantage. HNC minimum qualification necessary. Salary scale £2889-£3367 p.a. (under review) apply Assistant Secretary, Personnel Office, University of Birmingham, P.O. Box 363, Birmingham B15 2TT Ref 105/C/287. (7678)

ELECTRONICS TECHNICIAN (Grade 5) required in Department of Psychology, University of Reading. Final C.G. Electronic Servicing or equivalent qualification desirable. Salary in scale £2889-£3367 p.a. (under review). Apply with full details and names of 2 referees, quoting Ref. T.W.W. 46A, to Assistant Bursar (Personnel), University of Reading, Whiteknights, Reading, Berks, RG6 2AH. (7672)

Directorate of Radio Technology

Telecommunications Officers

... to be responsible for the study of radio propagation matters over the whole of the radio frequency spectrum above 10k Hz and for the forward planning, management and regulation of frequency bands allocated to broadcasting, fixed, maritime and land mobile, and space services.

Duties also include: preparing specifications and type-approval of equipment for fixed and mobile services; application of computer techniques to frequency assignment problems; development of equipment for the location and suppression of radio interference; technical advice on all aspects of licensing of radio services and advice in connection with the international radio monitoring service.

The vacancies are in Central London and Stanmore, Middlesex

Candidates (aged at least 25) must have ONC in Engineering (with a pass in Electrical Engineering 'A') or in Applied Physics or an equivalent qualification. In addition, they must have had at least 7 years' experience of skilled work on radio, radar or other electronic work.

Salary in London starts at £4765 and rises to £5200; £190 less at Stanmore. Good promotion prospects. Non-contributory pension scheme.

For further details and an application form (to be returned by 8 December 1977) write to Civil Service Commission, Alencon Link, Basingstoke, Hants RG21 1JB, or telephone Basingstoke (0256) 68551 (answering service operates outside office hours). **Please quote T/9647.**

HOME OFFICE

Research Officer

Ideal opportunity occurs for a suitably qualified person to undertake interesting and varied projects and investigatory work in the field of electromagnetic interference.

The ideal applicant, male or female, will be aged 22-40 with graduate or HNC qualification, experience of Radio frequency measuring techniques – measurement and calibration.

ERA is an independent engineering organisation specialising in the profitable application of electrotechnology within industry, commerce and the public sector.

Competitive conditions of employment amid pleasant rural surroundings offer attractive career prospects

Contact the Personnel Manager ERA Ltd., Cleeve Road, Leatherhead Surrey. Leatherhead 74151

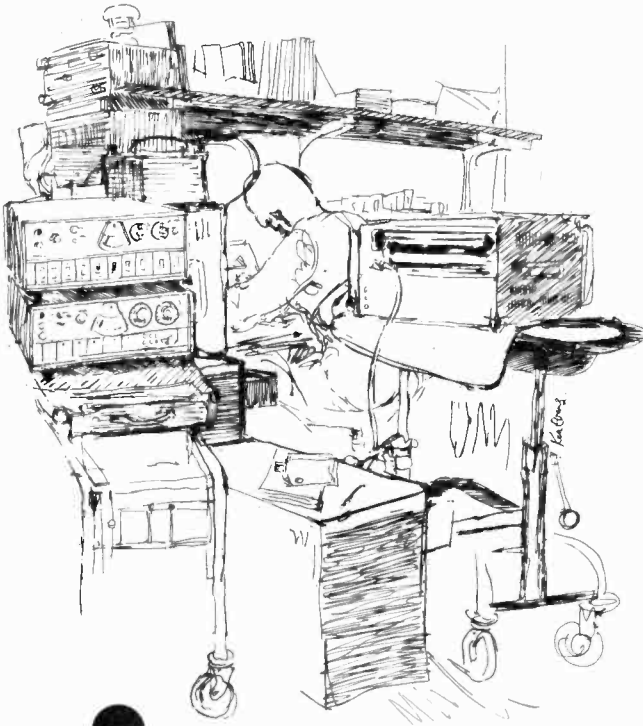
7662



ELECTRONICS TECHNICIAN (Grade 6) required by Physiology Dept for the design and construction of biophysical instrumentation to be used in muscle research. Experience in analog, digital and computer interfacing circuitry desirable. This is a grant supported post. Salary in range £3,802-£4,435 inc. of London Weighting. Application form from Personnel Officer (Technical Staff FF15) University College London, Gower St., London WC1E 6BT. (7692)

ELECTRONIC TECHNICIAN Grade 5 required in the Chemical and Biochemical Engineering Department for the electronic workshop. Good knowledge of fault-finding and servicing standard electronic instruments required, together with the ability to work on prototype circuits. Salary in range £3,377 to £3,856 including London Weighting. Application form and further details from Personnel Officer (Technical Staff EB8), University College, London. Gower Street, WC1E 6BT. (7716)

Marconi Instruments



ELECTRONIC TECHNICIANS

Opportunities for the experienced and sometimes inexperienced in St. Albans and Luton.

Work situations range from fault finding on PCB's and components, to batch product testing of equipment that utilise very advanced techniques including microprocessors and the repair/calibration of all manner and types of test instruments.

Attractive salaries and, where appropriate, relocation are offered for the right candidates.

Further information may be obtained in confidence from John Prodger

Marconi Instruments Limited,

Longacres, St. Albans, Herts. tel: St. Albans, 59292



A GEC-MARCONI ELECTRONICS COMPANY

7702

mi

DATEK SYSTEMS LTD.

A leading Company in the Phototypesetting Industry requires a:

SENIOR TEST ENGINEER

The position requires a man with several years' experience of digital systems with the ability to fault-find 74 series T.T.L. to chip level. A background in the data prep or V.D.U. market would be most appropriate and an academic level of at least H.N.C. would be expected.

The job involves some field service support in the U.K. and overseas. Salary up to £5,000 per annum.

JUNIOR TEST ENGINEER

This position requires a young engineer with a degree or Dip. Tech. in Electrical Engineering with an electronics bias.

Some experience in T.T.L. logic or microprocessors would be useful. Salary about £3,000 per annum.

The Company offers four weeks' holiday and sickness and pension scheme.

Phone or write for application form to:

Miss L. Bux

DATEK SYSTEMS LTD.
849 Harrow Road, Wembley, Middx.
Telephone: 01-904 0061

(7732)

ITN

SENIOR ENGINEERS £5712 p.a.

A senior television engineer is required to augment the existing shift maintenance team which is responsible for the day-to-day electronic maintenance of a wide range of broadcasting equipment. The duties would include the maintenance of such items as Vision Mixers and Routing Switchers, Digital Standards Converters, Oracle Computers, Character Generators and many other devices. Applicant should preferably possess an HNC or equivalent and several years of appropriate experience. Reference Number 8211.

A further vacancy exists in the electronic development section which has a five-day week work pattern. A variety of projects using latest technology, are already under way and for the right person an interesting future is assured. Applicants for the post should possess academic qualifications to HNC standard plus a minimum of four years' appropriate development experience. Reference Number 3213.

Application forms are available from Independent Television News Ltd., Personnel Office on 01-637 3144. Please quote the appropriate reference number. The closing date for these vacancies is three weeks after publication.

7704

ARTICLES FOR SALE

THE TTL DATA BOOK FOR DESIGN ENGINEERS

By Texas Instruments

PRICE: £5.50

RADIO, TV & AUDIO TECHNICAL REFERENCE BOOK by S. W. Amos. Price **£24.70**.
MICROPROCESSOR / MICROPROGRAMMING HANDBOOK by B. Ward. Price **£4.00**.

WORLD RADIO TV HANDBOOK. J. M. Frost. Price **£5.50**.

BUILD YOUR OWN WORKING ROBOT by D. L. Heiserman. Price **£3.70**.

THE RADIO AMATEUR'S HANDBOOK 1977 by A.R.R.L. Price **£6.60**.

THE MEMORY & MICROPROCESSOR DATA BOOK FOR DESIGN ENGINEERS by Texas. Price **£3.40**.

TOWERS' INTERNATIONAL TRANSISTOR SELECTOR by T. D. Towers 1977. Price **£5.00**.

SOUND RECORDING PRACTICE by Borowick, J. Price **£16.60**.

* Prices include postage *

THE MODERN BOOK CO.
SPECIALISTS IN SCIENTIFIC & TECHNICAL BOOKS
19-21 PRAED STREET
LONDON W2 1NP
Phone 723 4185
Closed Sat. 1 p.m.

INVERTERS

To operate mains equipment from 12v to 24v DC on automatic stand-by



Sine wave, voltage stabilised. Frequency controlled. Suitable for maintaining mains supply during power failure, running equipment where the mains is not available, or insulation from the mains.

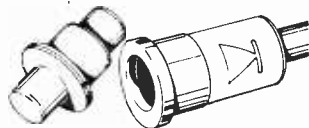
Controlled battery charging incorporated.

MAINS-STORE

Send for information to
Interport Mains-Store Ltd.
30 Old Bond Street, London W1
Tel: 01-727 7042 or 0225 310916

7675

GUNN DIODES Barrier diodes



SUITABLE FOR W.W. MICROWAVE VOICE LINK & INTRUDER ALARM PROJECTS. ALL UNUSED TESTED

CXY 11A ----- £3-75

BAV 46 ----- £1-75

THE PAIR ----- £5-00

GRANT DESIGN LTD OLD SCHOOL
GUESTWICK NORFOLK NR 20 5OD

AERIAL MASTS, 32ft, complete with guidelines, insulators, fixings, etc. £20 each. — Marconi TF144G RF signal generator, two Marconi TF985 generator, two Marconi TF958 value voltmeters. — Westalite variable d.c. power supply — AVO Model 3 valve tester — FM deviation meter — beat frequency oscillator. All equipment in excellent condition. For further details ring Martin Keefor on 01-864 9720 (evenings). (7631)

LOW PROFILE RELAYS, .1" Pin Spacing, AT A FRACTION OF ORIGINAL COST

Contacts	Coil Voltages Available	Price Each
1 Changeover	6v, 50v 110v	80p
1 Changeover (H/Duty)	6v, 24v, 48v, 60v 110v	80p
1 Changeover (Latching)	6v, 12v, 24v, 48v, 60v	80p
2 Changeover	6v, 50v	80p
2 Changeover (Latching)	6v, 12v, 24v, 48v, 60v	80p
4 Changeover	6v, 24v, 48v, 60v, 110v	80p

High Quality Manufacture Brand New Each with Protective Dust Cover. Add 20p P & P with all Orders (Data Sheet Supplied), or send S.A.E. for details.
Power Electrolytics, 800uf 450v (Value not stamped on Can) Single end connections with screw terminals. 2 1/2" dia. x 4 1/2" high inc. studs. Min. Order 4 for £2.00 inc. VAT (add 80p P & P).

LINWAY ELECTRONICS

843 Uxbridge Road, Hayes End, Middx., UB4 8HZ Tel. 01-573 3677

VISIT OUR SELF-SERVE RETAIL PREMISES AT THE ABOVE ADDRESS

(9.45 to 6.00, closed Wed.)

7717

QUARTZ CRYSTAL UNITS from

- 1.0-30.0 MHZ
- FAST DELIVERY
- HIGH STABILITY
- TO DEF 9271-A



WRITE FOR LEAFLET AT 1

MCKNIGHT CRYSTAL Co. Ltd.

HARDLEY INDUSTRIAL ESTATE, NYTHE, SOUTHAMPTON SO4 8ZY

 EL. HYTHE 848961
STD CODE 0703

(6044)

T.V. TUBE REBUILDING PLANT, Western-Whybrow Engineering have designed and manufactured the latest in T.V. Tube Rebuilding Plant, for example the Western 3-station Recirculating Oven, controlled by Recording Temperature Programmer and available with fully automatic or semi-automatic activation and tip-off unit is unrivalled for the quality production of rebuilt colour tubes for a medium sized operation. Western-Whybrow provide a complete service including training, installation, and all associated supplies. Western-Whybrow Engineering WECO Works, Praa Sands Cross, Penzance. Tel: (073 676) 2265. (7688)

LINCOLNSHIRE E.T.V. CON-SORTIUM, BISHOP GROSSETESTE COLLEGE, Lincoln (0522) 27347 Ex. 40. **FOR SALE:** Ampex V.T.R. 5103, Edit with spin physics head £250, Ampex V.T.R. 5003 £195, Rediffusion Colour Monitor CH2210 £200, Decca Monitor MVA 2400 £80, eye colour monitor LDM 0286/01 £250, R.B.M. 20in monitor £70, Sony V60D, and V60H "once used" £3, inch video tape Sony/Scotch/Memorex, 3,000 ft for Ampex 500d series, £10. (7666)

TYPE 3,000 G.P.O. Telephone Relays 100 Ω 30p. Crampin, Grimsby 0472 56345. (7705)

LINSLEY-HOOD 75 watt power amp modules, fully built and tested, from £13.50 each. Linsley-Hood 75 watt amplifiers constructed and repaired. Brand new guaranteed, spares by return. BDY56 £1.85, BD529 55p, BD530 55p, BF258 40p, BFR39 30p, BFR79 30p. Interference suppression kit, with instructions, £1.45. Inclusive prices post and packing free. SAE for list and details of kits. I. G. Bowman, 59 Fowey Avenue, Torquay, S. Devon. (7699)

TELETYPE 33KSR sprocket feed. Good working order £180. Tel: Chorley (02572) 78838 Hayes. (7704)

BARGAIN PACK 100 transistor. High power, audio, RF, gen purpose, fine selection of branded makes, all new and marked. Value at least £15. Only £5 inc p&p. CWO (UK only). Instant refund if not delighted. A. Philpott, 171 Great Brays, Harlow, Essex CM18 6DT. (7616)

SOWTER TRANSFORMERS.

FOR SOUND RECORDING AND REPRODUCING EQUIPMENT

We are suppliers to many well-known companies studios and broadcasting authorities and were established in 1941. Early deliveries. Competitive prices. Large or small quantities. Let us quote

SOWTER TYPE 3678

A recent release

MULTITAP MICROPHONE TRANSFORMER. Primary windings for 500 ohm, 200 ohm and 60 ohm with Secondary loadings from 2K ohm to 10 K ohm. Frequency response plus/minus 20 Hz to 25 KHz. Contained in well finished Mumental box 33mm diameter by 22mm high, with colour coded and leads, low distortion. DELIVERY (small quantities) EX-STOCK. HIGHLY COMPETITIVE PRICE. FULL DETAILS ON REQUEST.

E. A. SOWTER LTD.

 Transformer Manufacturers and Designers
7 Dedham Place, Fore Street
Ipswich IP4 1JP. Tel. 0473 52794 7269

RECEIVER UNIT small personnel type battery operated covers 500Kc to 18Mc/s cont in 4 bands uses 4 valves plus BFO in superhet circ. requires 1.5v and 67.5v o/p for ear-phone. Uses a single 4 way coil unit, as 25:1 ratio dial cal 0 to 100 and supplied with copy of cal chart and circ approx size 6 1/2" x 3 1/2" x 1 1/2" made for use by Army £10.80. U.H.F. Rx unit for ground use 225 to 400Mc/s crystal controlled, double conversion single chan 230v 1/P 19" rack mt. with circ £30 V.H.F. Test Set type 210 provides o/p over range 20 to 88Mc/s in 4 bands C.W. or Pulse Mod O/P also as int noise generator, reqs 250 and 6.3v with charts and circ. Was used for testing Gee Nav equip. £10.80. COAX RELAY ass etc with relay coil 6.3v ac, L.p. filter 420Mc/s, directional coupler meter for use with coupler, good for 100/150 watts with connectors £12 per set. OSC DRIVER Ass 1/P 6/11 Mc/s o/p 72/134Mc/s with 6AH6, 5763x2, 832, with circ £10.80. DRIVER PA UNIT 1/P 72/134 O/P 216/402Mc/s with 3 type 4X150A valves rated 100 watts into 50 ohm with circ £18 BLOWER UNITS for use with P.A. 115v £4. AUTO TRANS 230/115v at 1Kva £13. AERIAL DRIVE radio compass drive unit with two 24v dc motors enclosed unit with drive shaft, as o/p to drive 24v desyn ind suitable for small beam £8.50. CRYSTAL UNIT dual 100Kc and Lmc/s in 10X case with circ £2.80. CRT Visor with magnifier size approx 5" x 3" x 8" new £3. PANEL METER fsd 1 Ma special scale marked yell. green, yell 2" dia new £1.30. K Band travelling wave tubes type M2114-H by M.E. Corp £30 ea, also misc w.g. fittings RG91 etc. H.P. Type 562A Digital Printer with electronics one only £65. PROG BOARD 320 way with approx 40 preset boards and qty of jumper leads removed from dig card test set approx size 6" x 5" £40. The following for callers Dish Ae ass 3 Cm with w.g. drive motors etc £10 to £15 ea. Prices include carr and Vat, all items in good cond. SAE for list 18 or enquiry. A. H. Supplies, 122 Handsworth Rd, Sheffield S9 4AE. Phone 444278 (0742). (7657)

COLOUR, UHF AND TV SPARES. TELETEXT 77 IN COLOUR. MANOR SUPPLIES "EASY TO ASSEMBLE" KIT, Including TEXAS Decoder, Aerial Input, completely external unit, no further connections to set. Full facilities, mixed TV programme and Teletext, Newsflash, Update, and many special features not found in other units. Demonstration model in operation at 172 write for further information.

NEW COMBINED COLOUR BAR GENERATOR PLUS CROSS HATCH KIT (Mk4) UHF Aerial input type. Eight vertical colour bars plus R-Y, B-Y Luminance combinations, Grey scale etc. Push button controls, Battery operated. £35*, Case £2.40*, Battery Holders 78p*, p/p £1.

CROSS HATCH KIT, UHF Aerial input type, also gives peak white and black levels, Battery operated, £11* p/p 45p. Add-on Grey Scale kit £2.90* p/p 35p. Add-on Colour Bar Kit (Mk 3) £25*, Cases £1.40* p/p 95p. Cross Hatch Unit, complete and tested in De Luxe case £18.00* p/p £1.

"Wireless World" TV Tuner and FM Tuner Projects by D. C. Read. Kits of parts available. CRT test and reactivator kit for colour and mono £18.80* p/p £1.20. UHF Signal Strength Meter kit £18* p/p 90p. 625 TV IF Unit for Hi-fi amps or tape recording £6.80 p/p 70p. Decca Colour TV Thyristor Power Supply Unit, incl. H.T., L.T., etc. incl. circuits £3.80 p/p £1.20. Bush CTV 25 Power Supply Unit incl H.T., L.T., etc. £3.20 p/p £1.20. Bush CTV 25 Convergence Panel plus yoke, blue lateral £3.60 p/p 90p. Philips Single Standard Convergence Units complete, incl. 16 controls £3.75 p/p 85p. Colour Scan Coils, Mullard or Plessey, £6 p/p 90p. Mullard AT 1023/05 Converg. Yoke £2.50 p/p 75p. Mullard or Plessey Blue Laterals 75p p/p 35p. BRC 3000 type Scan Coils £2 p/p 90p. Bush CTV 25 Scan Coils £2.50 p/p 90p. Delay: Lines: DL20 £3.50, DL40 £1.50, DL1E, DL1 85p p/p 45p. Lum. delay lines 50p p/p 40p. G8 Tripler £6. BRC 300 Tripler £6.60 p/p 75p. Others available. Philips G8 Decoder part-complete, £2.50 p/p 75p. GEC 2040 Ex-Rental Panels, Decoder £5.00, Time Base £5.00 p/p 90p. VARIAC TUNERS, UHF: ELC 1043 £4.50, ELC 1043/05 £5.50, VHF: ELC 1042 £4.80, Philips VHF £3.80. Salvaged UHF & VHF Varicaps £1.50 p/p 35p. SPECIAL OFFERS: 6 Psn. Variac Control Unit £1.75 Psn. De Luxe Control Unit £2.50, p/p 35p. UHF Transd. Tuners incl. slow motion drive £3.80, 4 Psn and 8 Psn. Push button transd. £4.20 p/p 95p. Helical Pots 100K, 4 for £1.20 p/p 30p. Thorn 850 Dual Std. Time Base panel 50p. Philips 625 IF panel incl. cct. 50p p/p 70p. VHF Turret Tuners AT 7650 for KB Featherlight, Philips 19TG170, GEC 2010 etc. £2.50. Fireball Tuners, Ferguson, HMV, Marconi 80p. p/p all tuners 80p. Mullard Mono Scan Coils for Philips, Stella, Pye, Ekco, Ferranti, Invicta £2.00 p/p 85p. Large selection LOPTs, FOPTs available for most popular makes. MANOR SUPPLIES, 172 WEST END LANE, LONDON, N.W.6. Shop Premises. Callers welcome. Thousands of additional items available not normally advertised. (Nos. 28, 159 Buses or West Hampstead-Bakerloo Line and British Rail). Mail Order: 64 Golders Manor Drive, London, N.W.11. Tel: 01-794 8751. V.A.T. Please ADD 12% TO ALL PRICES (EXCEPT WHERE MARKED* V.A.T. 8%) (60)

DISCOUNT PRICES

Single connecting wires and cables Range of types, sizes, colours, including Heath resistant

Speaker flex 13/02 mm white

R.F. Coaxial cables, Multicore cable, etc

Also comprehensive range of semi-conductors, capacitors, resistors, preset and sliddend, controls, motors, transformers, battery holders, etc.

Trade and manufacturing enquiries to
Electronic Equipment Co. Ltd.
Springfield House
Tyssen Street
London E8
Tel. 01-249 5217

(7728)

ARTICLES FOR SALE

WILMSLOW AUDIO
The firm for Speakers

AUDAX	
HD129D26	7.50
HD13D34	8.95
HD13D34H	12.50
HD13D37	12.25
HD10D25AV	7.50
HD11P25BC	6.95
HD17B37	17.50
HD21B37	18.50
HD20B2534	10.95
HD20B26H4	14.65
HIF13E 5"	5.25
HIF21E 8"	6.95

CELESTION	
HF1300 II	7.50
HF2000	9.75

COLES	
4001	5.90
3000	6.25

EMI	
35040HM	7.95
12" 14A/1200	14.95
14" x 9" 14A770	12.50
13" x 8" BASS	8.95

DALESFORD	
D20/106 4" MID	9.95
D30/110 5" BASS	9.95
D50/153 6 1/2" BASS	10.95
D50/200 8" BASS	10.95
D70/200 8" BASS	21.75
D100/200 8" BASS	23.50
D70/250 10" BASS	24.95
D100/310 12" BASS	30.95

FAME	
13" x 8" 138/10T	5.95
JORDAN WATTS MODULE	
JORDAN WATTS HI FREQUENCY KIT	17.95

KEF	
T27	8.50
T15	10.75
B110	10.95
B200	11.95
B138	24.95
DN12	7.25
DN13 SP1106	4.95
DN13 SP1017	4.95
DN22 (104AB)	36.00

MOTOROLA	
PIEZO HORN	8.50

TANNOY	
HPD295A	78.75
HPD315A	85.50
HPD385A	99.00

Everything in stock for the speaker constructor! BAF, long fibre wool, foam, flet panels, crossovers and components. Large selection of grille fabrics. Send 15p stamps for samples

Send 15p stamps for free 38-page catalogue 'choosing a speaker'

(7612)

WILMSLOW AUDIO
The firm for Speakers

Swan Works, Bank Square, Wilmslow, Cheshire

Lightning service on telephoned credit card orders!

HEP digital clocks
in kit form or assembled



★ Available in alarm or non-alarm version
★ Green display
★ Easy assembly
★ Full instructions
★ Complete with attractive wood finish in teak or walnut (state preference)

Non-Alarm: **£14.50** Alarm: **£15.50**
Prices include V.A.T. Add 75p for p&p
For assembled clock add £2.00 to above prices

Send CWO to
HEP Electronics
30 Hertford Road, Canvey Island, Essex
Tel: 037-43 62003

7661

HIGH PERFORMANCE AUDIO MODULES

MIC. PRE-AMPS £8 00
MAGNETIC PRE-AMPS £7 50
CHANNEL MODULES £38 00
TONE CONTROLS £7 00
MIC. TRANSFORMER £5 50
POWER SUPPLIES £12 00

Full details
Progressive Electronic Products
593 HIGH RD., LEYTON, E 10
(01) 558 0678

WE INVITE ENQUIRIES from anywhere in the world. We have in stock several million carbon resistors 1/4, 1/2, and 1 watt, 1/2 million wire wound resistors 5 and 10 watt - 1 million capacitors - 1 million electrolytic condensers - 1/2 million transistors and diodes, thousands of potentiometers, and hosts of other components. Write, phone or call at our warehouse. - Broadfields and Mayco Disposals Ltd., 21 Lodge Lane, North Finchley, London, N.12. 01-445 0749, 445 2713. (5907)

TELEPHONE ANSWERING Machines for sale. New £120. Answers and Records. Plus 2-way Conversations and Dictation. Free Accessories and guaranteed 1 year. Callsaver. - C.R.V. Electronics Ltd., 01-249 0416, 01-580 1800. 30 Goudge Street, London, W.1. (7096)

VALVES RADIO - T.V.-Industrial-Transmitting. We dispatch valves to all parts of the world by return of post, air or sea mail. 2,700 types in stock, 1930 to 1976. Obsolete types a speciality. List 20p. Quotation S.A.E. Open to callers Monday to Saturday 9.30 to 5.00. Closed Wednesday 1.00. We wish to purchase all types of new and boxed valves. Cox Radio (Sussex) Ltd., Dept WW, The Parade, East Wittering, Sussex PO20 SBN. West Wittering 2023 (STD Code 024366). (5392)

ELECTRONIC INSTRUMENTATION. If you are interested in the buying or selling of good quality used Electronic Test Instruments, ring Reading 51074, Martin Associates and converse with our Sheila Hatch who will deal promptly with your enquiry. (6578)

60KHz MSF Rugby Receiver. BCD TIME OF DAY OUTPUT. High performance, phase locked loop radio receiver, 5V operation with 1 second LED indication. Kit complete with tuned ferrite rod aerial £14.98 (including postage and VAT). Assembled circuit and cased-up version also available. Send for details, Toolex, Sherborne (4359), Dorset. (2)

TRANSISTORS		BRIDGE	
BC 107	8p	15 B05 (1A/50V)	16p
BC 118	11p	LINEAR I.C.	
BC 132	10p	M252 B1 AA	£6.00
BC 204B	9p	CAPACITOR	
BC 348	9p	MIXED DIELECTRIC	
BC 351	10p	0.1 600V	4p
BD 131	32p	WIREWOUND	
BU 205	£1.90	RESISTORS	
BU 208	£2.10	0.5 OHMS to 27K	
ME 1075	8p	2.5W Radial Lead	5p
TIP 29	30p	5W Radial Lead	8p
XK 1152	7p	10W Axial Lead	7p
ZTX 212B	8p	15W Radial Lead	8p
ZTX 502	9p	20W Radial Lead	10p
DIODES		HORIZONTAL	
15 940	3p	PRESET	
BY 126	10p	1 MEGOHM 0.25W	12p
BY 127	10p	Min Order E3	

K. & A. DISTRIBUTORS, 9 ST. PETER'S ST., SYSTON, LEICS. M/ORDER ONLY. (7729)

NEW MULLARD C.R.T. D14/121/GH 8 x 10cm. 50 MHz x Y 4.2 x 15.5 Volts/cm. Ex Bradley with Mu Shield, Case LT and EHT Transformer Doubler Connector's £88. 01-274 9511. (7718)

COMPONENT CLEARANCE; New/used Transistors, ICs Capacitors, Ferrites, Units Valves. 8 pages. 700 items. Lists - stamps appreciated. Box No. WW. (7723)

TELETYPE 33 KSR Spocket feed. Good working order, £180. Tel: Chorley (02572) 78835 HAYES. (7725)

LAB CLEARANCE: Signal Generators; Bridges; Waveform, transistor analysers; calibrators; standards; millivoltmeters; dynamometers; KW meters; oscilloscopes; recorders; Thermal, sweep, low distortion true RMS audio. RF deviation. Tel. 040-376 236. (7713)

TV TUBE REBUILDING?, we specialise in supplying the widest range of Electron Guns, Parts and Tube components backed by the fullest Technical advice on all aspects of Rebuilding. Ask for our literature, for competitive prices, widest range, best service. - Griftronic Emission Ltd 4 Bishop-lane, Stratford-upon-Avon, Warks. Phone 0789-66831. (7693)

TIRRO ELECTRONICS the mail order division of Ritro Electronics UK offer a wide range of components for the amateur enthusiast. Large SAE or 20p brings list. - Grenfell Place, Maidenhead, Berks. SL6 1HL. (7517)

FILM TRIMMER CAPACITORS. 7PF to 8PF. Price 10/£1.50, 1000/£110. Electronic Mallorder Ltd., Ramsbottom, Bury, Lancs. (7586)

EXCLUSIVE OFFER
HIGHEST QUALITY 19" RACK MOUNTING CABINETS
Over 60 types available from 12" to 90" high
Also twins, triples & consoles. Below are only a few types. Please send for full list!

Ref	Ht"	Width"	Depth"	Price
PE	10	21	13	£10.00
LL10	54	21	18	£20.00
TT	64	25	26	£45.00
SL	71	25	26	£50.00
PT	75	20	21	£20.00
TL	75	22	21	£20.00
ST	85	22	24	£70.00

Rack cabinets for RA 17/117 **£30.00**

AUDIO AND INSTRUMENTATION-TAPE RECORDER-REPRODUCERS

- * Plessey D33 Digital Units. 7 track 1/2"
- * Plessey M5500 Digital Unit. 7 tracks 1/2"
- * Ampex FR-1100. 6 speeds, stereo 1/2"
- * Ampex FR600. 4 speeds. 7 tracks 1/2"
- * D.R.I RMI. 4 speeds. 4 tracks 1/2"
- * EMI TR90 2 speeds. 1 track 1/2"
- * EMI BTR1. 1 speed. 1 track 1/2"
- * EMI R301G. 2 speeds. 2 tracks 1/4"
- * Mincom CMP-100. 6 speeds. 7 tracks 1/4, 1"
- * Leavers Rich DA. 2P. 2 speeds. 2 tracks 1 1/4"
- * Leavers Rich Console 2 track 1/4". 2 speeds

Prices of above £70 to £500
Also Transport Decks only available

We have a large quantity of "bits and pieces" we cannot list - please send your requirements, we can probably help - all enquiries answered.

All our aerial equipment is professional MOD quality

- * Tone Coded Voice Frequency Teleprinters - P.U.R.
- * Rhode & Schwarz ESM Tunable VHF Receivers 30 180 M/cs £385.00
- * Rhode & Schwarz HFH Field Strength HF Loop Aerials £140.00
- * Rhode & Schwarz SKTU Noise Generator 0/M/cs £45.00
- * Narda 504 Freq. meters 200/500 M/cs £45.00
- * Cossor CT454 Electronic Volt ohm meters £50.00
- * B&K 2408 Electronic Multimeters £35.00
- * Eddystone 770 VHF Receivers Tunable 150/500 M/cs £120.00
- * Sleigh & Chester Multi-purpose Trolleys with Jacks 19 x 17" £16.00
- * Racal RA-17L Receivers £35.00
- * Rhode & Schwarz fibreglass HA Diversity Dipolons £120.00
- * 1 on pump power supply £44.00
- * SE4 2B CRTs £16.00
- * SE5/2A CRTs £16.00
- * JAZZ 2 (DMN 9/11) CRTs £16.00
- * E.M.I. Documents CCTV Outfit £35.00
- * Advance 3KVA CV Transformers £150.00
- * Grainger HF Log Apertorial Aerial P.U.R.
- * Metal Operators Tables 30" x 36" x 30" £24.00
- * Davian Logic Testers £20.00
- * General Radio Stroboscopes £30.00

MANUALS
We have a quantity of Technical Manuals of Electronic Equipment, not photostats, 1940 to 1960. British and American. No lists. Enquiries invited.

* Data Efficiency Respoilers 240v	£28.00
* Bolling Lee 100 Amp Interference Filters	£70.00
* Airmec 201 Sig. Gen. 30 KC/30 MCS	£70.00
* Oscilloscopes Gen purpose 3"	£35.00
* Airmec 702 Sig Gen 30/300KCS	£35.00
* R. 216 Power Supply Units	£15.00
* Oscilloscope Trolleys from	£12.00
* 1 B M Video Display Units 4 col	£48.00
* Autophon VHF Receivers 20/120mcs	£140.00
* Solartron CD 524 Oscilloscopes	£90.00
* Marconi TF2331 Distortion Meters	£160.00
* AVO VT Voltmeters CT-471A	£75.00
* Racal MA197B Pre-Selectors	£65.00
* Collins 500 watt 2 1/8 mcs Transmitters	£1000.00
* Collins KW76 55B 500w Transceivers	£1250.00
* Collins KW76 200 mw AM Transceivers	£750.00
* STC Rx5 2.25 mcs Receivers Diversity	£140.00
* Rack Mounting Operator Tables	£10.00
* Gaumont Kalee 564 Flutter Meters	£75.00
* Hewlett Packard 618B Sig. Gen. 3.8/7.2 GHz	£120.00
* Kohn 55ft masts lattice 12" sides	P.U.R.
* 30ft Lattice Masts, 14" sides	£55.00
* 15ft Lattice Mast sections, 12" sides	£35.00
* 120ft Lattice Masts, 15" sides	P.U.R.
* 75 90ft Sky Towers, self-supporting	£475.00
* Heavy Aerial Rotators	P.U.R.
* 7mm Aluminium Lattice Masts, 20" sides	£480.00
* Rhode & Schwarz BR sig gen. 1.6 2.4 gmc	£470.00
* Large Aerial Turning Units	P.U.R.
* 45 feet Uniradio 4 Co-ax 50 ohms	£2.00
* Baluns Professional Exterior 600/75 ohms	£6.00
* Addo 5 8 Track Tape Punches	£48.00
* Quality Weather Vane. 8 contacts (unused)	£25.00
* Racal RA 175 I S B Modulators (new)	£45.00
* Inside Cabinet Shelf Sliders	£3.00
* Lully 5 8 Track Tape Readers 60 cps	£48.00
* Lully 5 8 Track Tape Readers Track Spooling	£65.00

We have a quantity of Power Transformers. 250 watts to 15KVA at voltages up to 40KV. Best quality at low prices. Lists available

* Racal RA 63 SSB Adaptors, new	£70.00
* Racal RA-237 L-W Converters, new	£70.00
* Racal RA-298 L S B Transistorised Converters (new)	£120.00

We have a varied assortment of industrial and professional Cathode Ray Tubes available. List on request

PLEASE ADD CARRIAGE AND V.A.T.
P. HARRIS ORGANFORD DORSET
BH16 6BR
BOURNEMOUTH (0202) 765051

ARTICLES FOR SALE




Quartz Crystal Units
ACCURATE RELIABLE

Private enquiries, send 13p in stamps for brochure

THE QUARTZ CRYSTAL CO. LTD.
Q.C.C. WORKS, WELLINGTON CRESCENT
NEW MALDEN, SURREY 01-942 0334 & 2988

RECHARGEABLE BATTERIES

AA pencil (HP7) £1.32 sub C £1.64 C (HP11) £2.43 D (HP2) £3.92 PP3 E4 98 Matching charger s £5.91 each except PP3 charger £4.99 Charging holders for 2 3 4 or 6 pencils 50p C & D size holders 4 cell only 80p. Prices include V.A.T. add 10% post. package and insurance orders under £20. 5% over £20. SAE for full details plus 75p for Nickel Cadmium power booklet. 250/12 volt inverters now available. Mail orders to Dept VVV Sandwell Plant Ltd. 201 Monument Drive Sutton Coldfield West Midlands Tel 021-354 9764 Callers to T.L.C. 32 Craven Street, Charing Cross London W.C.2 7391



DIRECT READING AUDIO FREQUENCY METER

- Complete kit £29.50
- Linear scale
- 6 ranges up to 100 KHz
- Easy to calibrate - quartz standard applied on loan
- Battery operated completely safe

Send SAE for details to: James Cooper (Electronics) Ltd., 120 Castle Lane, Solihull, West Midlands (7711)

CAPACITY AVAILABLE

ELECTRONIC ASSEMBLY AND WIRING CAPACITY AVAILABLE

M.O.D. approved

J.N. Electronic Supplies
Osiers Road, London, SW18
Tel. 01-874 6162 7417

AIRTRONICS LTD. for coil winding Large or small production runs. Bobbin - Layer - Wave - Bifilar - Miniature Toroidals, Airtronics Limited, Gardner Industrial Estate, Kent House Lane, Beckenham, Kent BR3 1UG. Tel. 01-659 1147. (7158)

PCBs/WIRING/ASSEMBLY. Design, artwork, manufacture assembly, wiring of small batches of boards, panels etc. to high standards. Quick turnaround and competitive prices. Contact us first: **HAMILL ELECTRONICS LTD.**, 492 Kingston Road, London SW20. 01-542 9203.

BATCH Production Wiring and Assembly to sample or drawings. McDeane Electricals, 19B Station Parade, Ealing Common, London, W.5. Tel: 01-992 9876. (7531)

SKILLED HAND assembly, one-offs and small batch runs. Bowman Electronics, 59 Powey Avenue Torquay, S. Devon. (7700)

SPARE CAPACITY - Quick Turnaround Specialist wiring assembly of large and small items cable forms, P.C.B. Wire wrapping, panels, etc. Lewco, Wellingborough (0933) 677781. (7698)

SMALL BATCH PRODUCTIONS wiring assembly to sample or drawings. Specialist in printed circuits assembly. Rock Electronics, Harlow, Essex. 0279 33018. (7674)

ENAMELLED COPPER WIRE

swg	1 lb.	4oz.	2oz.
14-19	2.40	.69	.50
20-29	2.45	.82	.59
30-34	2.60	.89	.64
35-40	2.85	1.04	.75

inclusive of p&p and VAT
SAE brings Catalogue of copper and resistance wires in all coverings

THE SCIENTIFIC WIRE COMPANY
PO Box 30, London E4 9BW (7347)

MAGNETIC MICROPHONE SPEAKERS

4T inserts, ideal for all sound speaking and listening applications. Very rugged DC res. 20 ohms

Size: 1 1/2" dia 3/4" deep
40p ea + 10p P&P.
6 for £2.20 + 20p P&P.
12 for £4.50. P&P free

SAE for list. Many other items. Trade enquiries welcome.

B.B. SUPPLIES, 141 Sharnford Street
Nr. CANTERBURY, Kent CT4 7OZ (6792)

ENAMELLED COPPER WIRE

s.w.g.	1 lb reel	1/2 lb reel
10 to 19	£2.95	£1.60
20 to 29	£3.15	£1.80
30 to 34	£3.45	£1.90
35 to 40	£3.65	£2.10

All the above prices are inclusive of postage and packing in UK

COPPER SUPPLIES
102 Parrswood Road, Withington, Manchester 20
Telephone 061-445 8753 100

VHF MONITOR RECEIVERS, air, marine or business radio bands, all crystal controlled, £50 to £200. Send 15p PO, not stamps. Radio Communications Ltd., St Sampsons, Guernsey, C.I. (7434)

RAMTEK LTD for PCB assembly using flow soldering techniques. Try us for competitive quotations against your own internal costs. No job too small rapid turnaround. Capacity also available for wire cutting, stripping and loom manufacture. Call us today on 0242 38658, Lansdown Industrial Estate, Cheltenham, Glos. (7690)

PRINTED CIRCUITS. Ultra fast turnaround. Very competitive prices paper or glass. Punched or drilled. Single or double sided. Also prototypes, artwork, photography. Kibmore Circuits Ltd., 120 Garlands Road, Redhill, Surrey RH1 6NZ. Phone Redhill 68850. (7283)

A COMPLETE and efficient PCB Service from layout through to assembly. Incorporating quality reliability and price. No order too large or too small. Also mechanical detailing is undertaken. For details and free estimates please contact: J. S. Roberts on 01-553 2577 H.R.C. Artwork Design, 45 High Street, Moulton, Essex (7731)

TENDERS

STORNO RADIOTELEPHONE EQUIPMENT. Tenders are invited for the purchase of a complete Storno FM Radio-telephone system (72-88 MH band), which is surplus to requirements due to a change of system. The equipment comprises: - 1 Storno Base Station type CQF 634. 4 Boot-mounted radiotelephones type CQM 634. 4 Dash-mounted radiotelephones type CQL 634. 1 Transportable radiotelephone type CQP 634. 2 Hand portable radiotelephones type CQP 532. The above complete with control boxes, wiring harness, whip antennae etc. The equipment has been dismantled and stored pending sale, and can be inspected by appointment at Cildwrn Depot Llangefni. Contact Mr B. Owen, Llangefni 723 262. Tenders in a sealed envelope endorsed RADIO EQUIPMENT to be received by The County Surveyor, Highways and Transportation Department, Gwynedd County Council, Maesincla Caernarfon, by 16th December, 1977. (7689)

ARTICLES WANTED

WANTED

We are looking for **SECONDHAND TV BROADCAST EQUIPMENT**

anything from Pal Colour Cameras to Microwave Links and UHF Transmitter. In working order.

Write or call with price and condition.

STANDARD TELEVISION NETWORK
P.O. Box 525
Victoria, MAHE, Seychelles
Cables: Allrisk
Telephone: (Seychelles) 23956

WANTED: TEST AND COMMUNICATION EQUIPMENT

single items or quantities, also RF plugs, sockets and connectors.

Call or phone
170 Goldhawj Road, London, W.12
01-743 0899 (7006)

WE PURCHASE ALL FORMS OF ELECTRONIC EQUIPMENT AND COMPONENTS, ETC.

SPOT CASH

CHILTMead LTD.
7, 9, 11 Arthur Road
Reading, Berks.
Tel. (0734) 582 605

- ★ MINICOMPUTERS
- ★ PERIPHERALS
- ★ INSTRUMENTATION

For fastest, best CASH offer, phone

COMPUTER APPRECIATION
Godstone (088 384) 3221 7677

WANTED, all types of communications receivers and test equipment. Details to R. T. & I. Electronics Ltd., Ashville Old Hall, Ashville Rd., London, E.11. Ley 4986. (63)

WE BUY new valves, transistors and clean new components, large or small quantities, all details, quotations by return. - Walton's, 55 Worcester St. Wolverhampton. (62)

WILL BUY ANYTHING, any quantity if price is right. Ring Stan Willetts, West Bromwich. 021-553 0186. (6815)

TURN YOUR SUPPLUS Capacitors, transistors, etc., into cash. Contact COLES-HARDING & Co., 103 South Brink, Wisbech, Cambs. 0945-4188. Immediate settlement. We also welcome the opportunity to quote for complete factory clearance. (7439)

STORAGE SPACE is expensive, why store redundant and obsolete equipment? For fast and efficient clearance of all test gear, power supplies, PC boards, components, etc. regardless of condition or quantity call 01-771 9413. (7414)

WANTED: Service manual for old Scopohony Baird mechanical TV system. Replies to Box No. WW 7673. (7673)

WANTED!

all types of scrap and **REDUNDANT ELECTRONIC & COMPUTER MATERIALS**

with precious metal content

TRANSISTORS & PRINTED CIRCUIT BOARDS TO COMPLETE COMPUTERS

THE COMMERCIAL SMELTING & REFINING Co. Ltd.
171 FARRINGTON ROAD
LONDON, EC1R 3AL
Tel: 01-837 1475
Cables: COMSMELT, EC1 (7005)
Works: FLECKNEY, Nr. LEICESTER

WANTED

for immediate cash **ALL MAKES OF OLD RADIOS AND GRAMOPHONES PRIOR TO 1940**

Offers with details and photos (returned) to:
Wallflass, P O Box 1244
D-4050 Moenchengladbach
W Germany (7357)

A.R. Sinclair

Electronic Stockholders
Stevenage 812193

We purchase all types of Mechanical and Electronic Equipment and Surplus stocks. (7607)

MINICOMPUTERS PERIPHERALS INSTRUMENTATION

For fastest, better CASH offer
Phone:
CHILTMead LTD.
Reading (0734) 586419

WE PURCHASE, FOR CASH the following: R. F. Power Transistors, Varactor Diodes, and all special components normally used in VHF/UHF Transmitting equipment. **MODULAR ELECTRONICS**, 95 High Street, Selsey Sussex. PO20-0QL. Tel. Selsey 2916. (7696)

WANTED. Plug-in units for Teleonic Sweeper type SM-2000. Any frequency range from 10 KHz to 3000 MHz. Any condition will do. Write to S. M. Corry, 149 Stanborough Road, Plymstock, Plymouth, Devon. (7715)

B.D. ELECTRONICS offer prompt settlement for surplus electronic components, t.v./audio spares are of particular interest. Contact Miss Hughes, 9 Westhawe, Bretton, Peterborough. Tel 265219. (7632)

TWICE the information in HALF the size

I.C.E. MULTIMETERS

The I.C.E. range of multimeters provides an unrivalled combination of maximum performance within minimum dimensions, at a truly low cost. Plus, a complete range of add-on accessories for more ranges, more functions.

All I.C.E. multimeters are supplied complete with unbreakable plastic carrying case, test leads, etc., and a 50-plus page, fully detailed and illustrated Operating and Maintenance Manual

Now available from selected stockists Write or phone for list, or for details of direct mail-order service

Supertester 680R (illustrated)

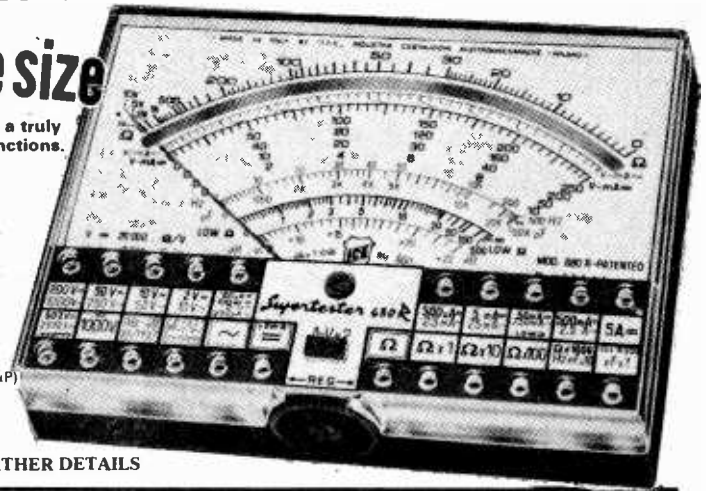
20k Ω /V - 1% fsd on d.c.
4k Ω /V - 2% fsd on a.c.
80 Ranges - 10 Functions
140 x 105 x 55mm
£25.25 + VAT
(For Mail Order add 80p P&P)

Supertester 680G

20k Ω /V - 2% fsd on d.c.
4k Ω /V - 2% fsd on a.c.
48 Ranges - 10 Functions
109 x 113 x 37mm
£19.95 + VAT
(For Mail Order add 80p P&P)

Microtest 80

20k Ω /V - 2% fsd on d.c.
4k Ω /V - 2% fsd on a.c.
40 Ranges - 8 Functions
Complete with case - only 93 x 95 x 23mm
£14.95 + VAT
(For Mail Order add 80p P&P)



Electronic Brokers Ltd
49-53 Pancras Road, London NW1 2QB
Tel. 01-837 7781

WW-088 FOR FURTHER DETAILS

INDEX TO ADVERTISERS

Appointments Vacant Advertisements appear on pages 137-151

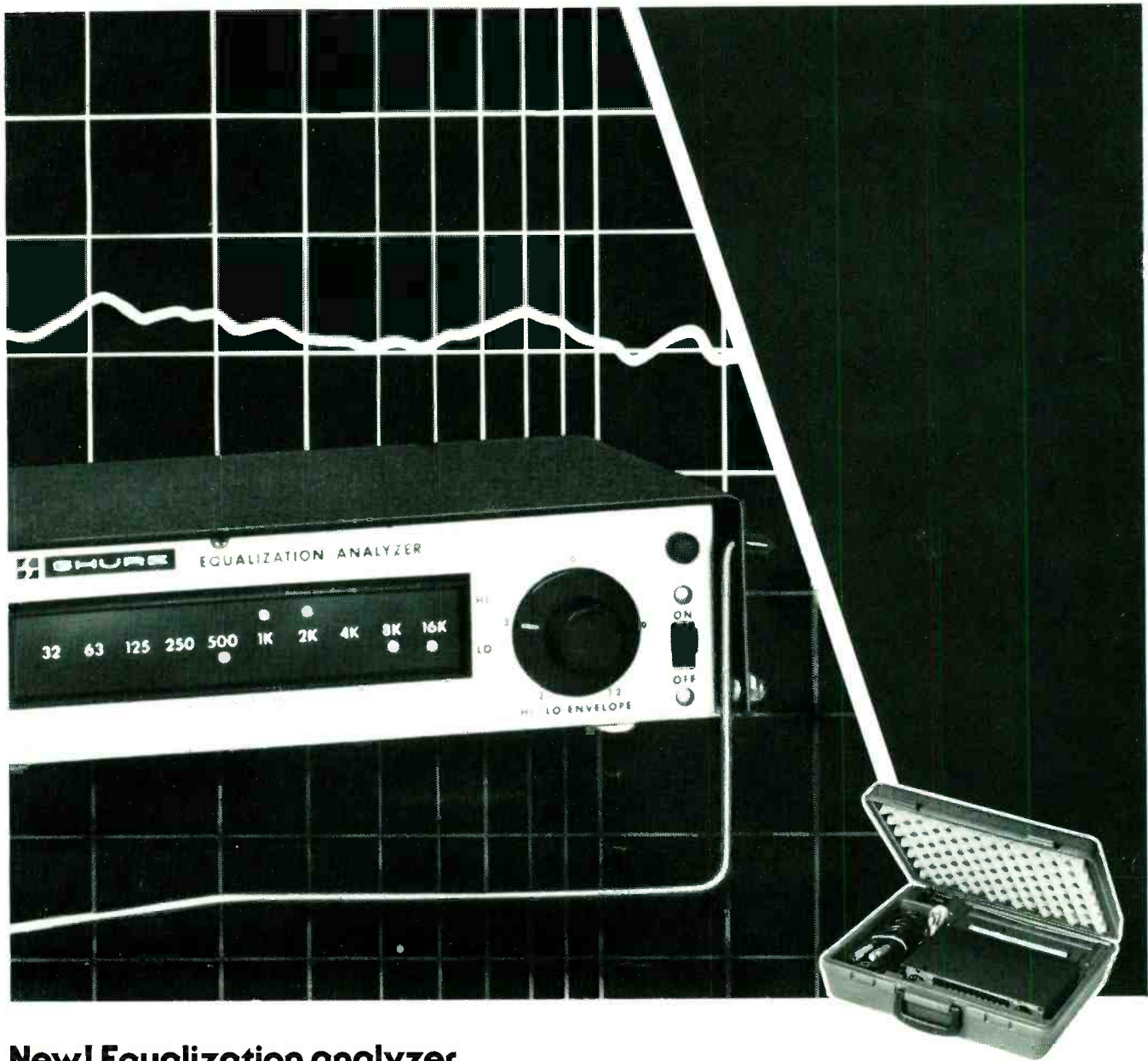
	PAGE		PAGE		PAGE
AEL Crystals Ltd	30	Farnell Instruments Ltd.	91	Powertran Electronics	104, 105
Ambit-Toko	24	Ferranti Ltd.	15	Precision Petite Ltd.	18
Ambit International	32	Future Film Developments	106	Q. Max Electronics Ltd.	28
Aspen Electronics Ltd.	92	General Inst. Microelectronics Ltd.	16	Radio Components Specialists	109
Astra-Pak	92	Genrad Ltd.	11	Radio Shack Ltd.	133
Audio Amateur	111	Greenwood Electronics Ltd.	13	Ralfe P. Electronics	102
Audix Ltd.	82	Harmsworth Townley & Co. Ltd.	13	R.C.S. Electronics	14
Avo Ltd.	29	Harris Electronics (London) Ltd.	20, 28	Rola Celestion Ltd.	113
Barr & Stroud Ltd.	2	Hart Electronics	106	R.S.T. Valves Ltd	126
Barrie Electronics Ltd.	111	Hi-Fi Designs	131	RTVC	99
Bayliss, A. D. & Sons Ltd.	8	Hi-Fi Y/Book	94	Samsons (Electronics)	124
Bear Microcomputer Systems Ltd.	133	Icon Designs	31	Science of Cambridge	71
Bell & Howell Ltd.	17	ILP Electronics Ltd.	98, 107	Scopex Instruments Ltd.	112
Bentley Acoustic Corp. Ltd.	124	Industrial Tape Applications	129	Scott J. Electronic Eng's Ltd.	10
Beyer Dynamics (G.B.) Ltd.	20	Integrex Ltd.	100, 101	Semi Conductor Supplies Ltd.	128
Bib Hi-Fi Accessories Ltd.	cover iv	Interface Quartz Devices Ltd.	22	Service Trading Co.	115
Bimos (RCA)	96, 97	Interport Mains-Store Ltd.	148	Shure Electronics Ltd.	Cover iii
Bi-Pak Semiconductors Ltd.	96, 97	Interprojects Ltd.	28	Sinclair Radionics Ltd.	81
Boss Industrial Mouldings Ltd.	21	ITT Instrument Services	34, 112	Sintel	129
Cambridge Learning	25	JPS Associates	92	SMC (Yaesu Musen)	135
Catronics	32	K & N Electronics	26	SME Ltd.	12
CEC Corporation	95	Langrex Supplies Ltd.	126	Smith, H. L.	26
Chiltmead Ltd.	119	Leavers-Rich Equipment Ltd.	20	Sombras Audio	30
CHL Components	134	Levell Electronics Ltd.	3	Southwest Technical Prods. Ltd.	19
Chromasonics	4	Light Soldering Developments Ltd.	18	Sowter, E. A.	148
Circards No 2	117	Lion House	108	Special Products Ltd.	26
Circuit Services	114	Logic Leisure	130	SST Distributors	32
Commercial Trade Travel	110	Lynx (Electronics) London Ltd.	102, 103	Stirling Sound (Bi-Pre-Pak Ltd.)	116
Colomor (Electronics) Ltd.	122	McKnight Crystals	148	Strumech Engineering Ltd.	10, 29
Commercial Trade Travel	110	MacInnes Laboratories Ltd.	22	Sugden, J. E. & Co. Ltd.	30
Compoc Electronics	132	Magnum Audio Ltd.	93	Surrey Electronics Ltd.	132
Computer Appreciation	132	McLennan Servo Supplies Ltd.	30	Swanley Electronics Ltd.	108
Continental Specialities Corp.	27	Mail Order Scheme	133	Swift of Wilmslow	106
Crellon	5	Maplin Electronic Supplies	9	Technomatic Ltd.	128
Crimson Elektrik	28	Marconi Instruments Ltd.	Cover ii	Television	132
Datong Electronics Ltd.	116	Marshall, A. & Sons (London) Ltd.	94	Telecraft	130
Dau (U.K.) Ltd.	130	Medelec	82	Teleradio Hi Fi	132
Drake Transformers Ltd.	8	Microsystems '78	127	Tempus	134
Eagle International	95	Mills, W.	108	Texas Led Opto	116
Electro/Eurotech	134	Modern Book, The	148	Trampus Electronics	111
Electronic Brokers Ltd. (New Prods. Div.)	125	Monolith Electronics Co. Ltd.	116	Varian A. G.	25
Electronic Brokers Ltd. (I.C.E. Multimeters)	152	MTG (Instruments) Ltd.	118	Vero Electronics Ltd.	22
Electronic Brokers Ltd. (Second User Computer Div.)	123	Otari Corporation	6	West Hyde Developments Ltd.	114, 118
Electronic Brokers Ltd. (Used Test Equip. Div.)	120, 121	PBRA Ltd.	95	West London Supplies	132
Electronics Weekly	133	Pinnacle Electronic Comps. Ltd.	72	Widney Dorlec	14
Electrovalue	Readers card	Japan: Mr Inatsuki, Trade Media - IBPA (Japan), B. 212, Azabu Heights, 1-5-10 Roppongi, Minato-ku, Tokyo 106. Telephone (03) 585-0581.		Wilmot Bredren Electronics Ltd.	33
European S/Guide	122	United States of America: Ray Barnes, IPC Business Press, 205 East 42nd Street, New York, NY 10017 - Telephone. (212) 689 5961 - Telex: 421710 Mr Jack Farley Jnr., The Farley Co. Suite 1584, 35 East Wacker Drive, Chicago, Illinois 80601 - Telephone (312) 63074 Mr Richard Sands, Scott, Marshall, Sands & Latta Inc., 5th Floor, 85 Post Street, San Francisco, California 94104 - Telephone: (415) 421 7950 - Telephone: Dascotcco, San Francisco. Mr. William Marshall, Scott, Marshall, Sands & Latta Inc., 1830 West Eighth Street, Los Angeles, California 90057 - Telephone: (213) 382 6346 - Telegrams: Dascotcco., Los Angeles.		Wilmslow Audio	92, 136
E. W. Conference	23	Canada: Mr Colin H. MacCulloch, International Advertising Consultants Ltd., 915 Carlton Tower, 2 Carlton Street, Toronto 2 - Telephone: (416) 364 2269.		Z. & I. Aero Services Ltd.	24, 103, 106
OVERSEAS ADVERTISEMENT AGENTS:				Zettler (UK) Division	14

France: M. D. Soubeyran, Compagnie Francaise D Editions Division Internationale, 40 Rue du Colisee, Paris 8e. Telephone: 225-77-50 - Tel 280274.

Hungary: Mrs Edit Bajusz, Hungexpo Advertising Agency, Budapest XIV, Varosliget Telephone: 225 00B - Telex. Budapest 22-4525. INTFOIRE

Italy: Sig C. Epis, Etas-Kompass, S p a - Servizio Estero, Via Mantegna 6, 20154 Milan Telephone: 347051 - Telex 37342 Kompass

Printed in Great Britain by QB Ltd, Sheepen Place, Colchester and Published by the Proprietors IPC ELECTRICAL-ELECTRONIC PRESS LTD., Dorset House, Stamford St., London, SE1 9LU, telephone 01-261 8000. Wireless World can be obtained abroad from the following: AUSTRALIA and NEW ZEALAND: Gordon & Gotch Ltd. INDIA: A. H. Wheeler & Co. CANADA: The Wm. Dawson Subscription Service Ltd, Gordon & Gotch Ltd. SOUTH AFRICA: Central News Agency Ltd; William Dawson & Sons (S.A.) Ltd. UNITED STATES: Eastern News Distributors Inc., 14th Floor, 111 Eighth Avenue, New York, N.Y. 10011.



New! Equalization analyzer... Balance a system...Balance a budget.

Quick and accurate adjustment of sound system frequency response is finally within the reach of most budgets. The Shure M615AS Equalization Analyzer System is a revolutionary breakthrough that lets you "see" room response trouble spots in sound reinforcement and hi-fi systems—without bulky equipment, and at a fraction of the cost of conventional analyzers.

The portable, 11-pound system (which includes the analyzer, special microphone, accessories, and carrying case) puts an equal-energy-per-octave "pink noise" test signal

into your sound system. You place the microphone in the listening area and simply adjust the filters of an octave equalizer (such as the Shure SR107 or M610) until the M615 display indicates that each of 10 octaves are properly balanced. You can achieve accuracy within ± 1 dB, without having to "play it by ear."

Send for complete descriptive brochure.

Shure Electronics Limited
Eccleston Road
Maidstone ME15 6AU
Telephone: Maidstone (0622) 59881

TECHNICORNER

The M615 Analyzer's display contains 20 LEDs that indicate frequency response level in each of 10 octave bands from 32 Hz to 16,000 Hz. A rotary hi/lo envelope control adjusts the HI LED threshold relative to the LO LED threshold. At minimum setting, the resulting frequency response is correct within ± 1 dB. Includes input and microphone preamplifier overload LEDs. A front panel switch selects either flat or "house curve" equalization. The ES615 Omnidirectional Analyzer Microphone (also available separately) is designed specifically for equalization analyzer systems.





gets it together...



Toolbox Reels

Three solders that cover all your electrical applications.
40/60 Tin/Lead size 3
60/40 Tin/Lead size 10
Savbit Alloy size 12

£2.16 each



Economy Pack

This convenient dispenser contains enough general purpose solder for about 200 average joints. Suitable for all electrical work.

Size 6 37p

A Solder for every job IN HANDY DISPENSERS

96S SOLDER	ARAX SOLDER	EXTRA TERN EXTRA FAST NON-CORROSIVE
5-CORE SOLDER	5-CORE SOLDER	ALLU SOLDER
SV SOLDER	SAVBIT SOLDER	ALU-SOL SOLDER

Handy Dispensers

Size 19A All electrical work	63p
Size PC115 For small components	69p
Size SV130 Use with copper bits and wires	£1.08p
Size AR140 Metal repairs	86p
Size AL150 Aluminium	76p
Size SS160 Stainless Steel	£1.06p

Savbit Dispenser

Contains Ersin Multicore Savbit solder which increases life of copper bits by 10 times.

Size 5 58p



Solder Cream

For jointing most metals. Easy to use and ideal where solder wire cannot penetrate. Not suitable for electrical connections.

Size 7 99p



... Bib keeps it playing



Cassette Editing & Splicing Kit

Make editing simple with Bib splicer, tape cutters, tape piercer, splicing tape and tape winder/remover. Patent Pending Splicer British Pat. No. 1258280 (Method of Splicing)

Ref98 £2.48



Universal Tape Head Maintenance Kit

Includes everything necessary for cleaning heads, capstan and pinchwheel on all types of recorders.

Patent Pending. Ref99 £2.48



Bib Groov-Stat Static Reducer

Neutralises in seconds the static charge that attracts harmful dust to record surfaces. Safe and simple to use.

Ref 100A £5.98

1/4" Tape Care Kit

Combined editing/splicing/cleaning kit with splicer, tape cutters, marker, cleaning fluid.

Ref111 £3.38



Bib Groov-Kleen

Supplied with two bases to suit all modern single play decks, the Bib Groov-Kleen cleans records while they play.

Ref 2000S/P £3.48 Reg. Des. No. 967842.



Send S.A.E. for free copy of colour catalogue detailing complete range.

Bib Hi-Fi Accessories Limited, Kelsey House, Wood Lane End, Hemel Hempstead, Herts., HP2 4RQ.

All prices shown are recommended retail, inc. VAT.